

okvolight®

Technology Inside



GRAPHY SERIES

► 2D DECORATIVE
PANEL LUMINAIRES

GRAPHY LEAKY LED PANEL

Products Features

Mounting Type

LAY-ON, CLIP-IN, FLUSH or SURFACE Mounted

Body

2D Decorative Cover Design, electrostatic powder coated DKP sheet.

Diffuser

Opal diffuser with prismatic surface, providing homogeneous light

LED

≥50,000 h lifetime, high efficiency and high color quality index.

Color Temperature

Cool White, Natural White, Warm White and 3in1 CCT options

Driver

Constant current LED driver with high efficiency,

Operating Temperature

-25 °C / + 50 °C operating ambient temperature range

Dimension Alternatives

600x600 mm, 300x300 mm, 300x600 mm, 300x1200 mm, 600x1200 mm

Optional & Additional Features

- ▶ Optional Front Face Model Design
- ▶ DALI Driver Compatible
- ▶ Dimmable with DIMM Moduls
- ▶ Emergency Lighting Kit (1-3 hours)
- ▶ OKVO Smart Applications



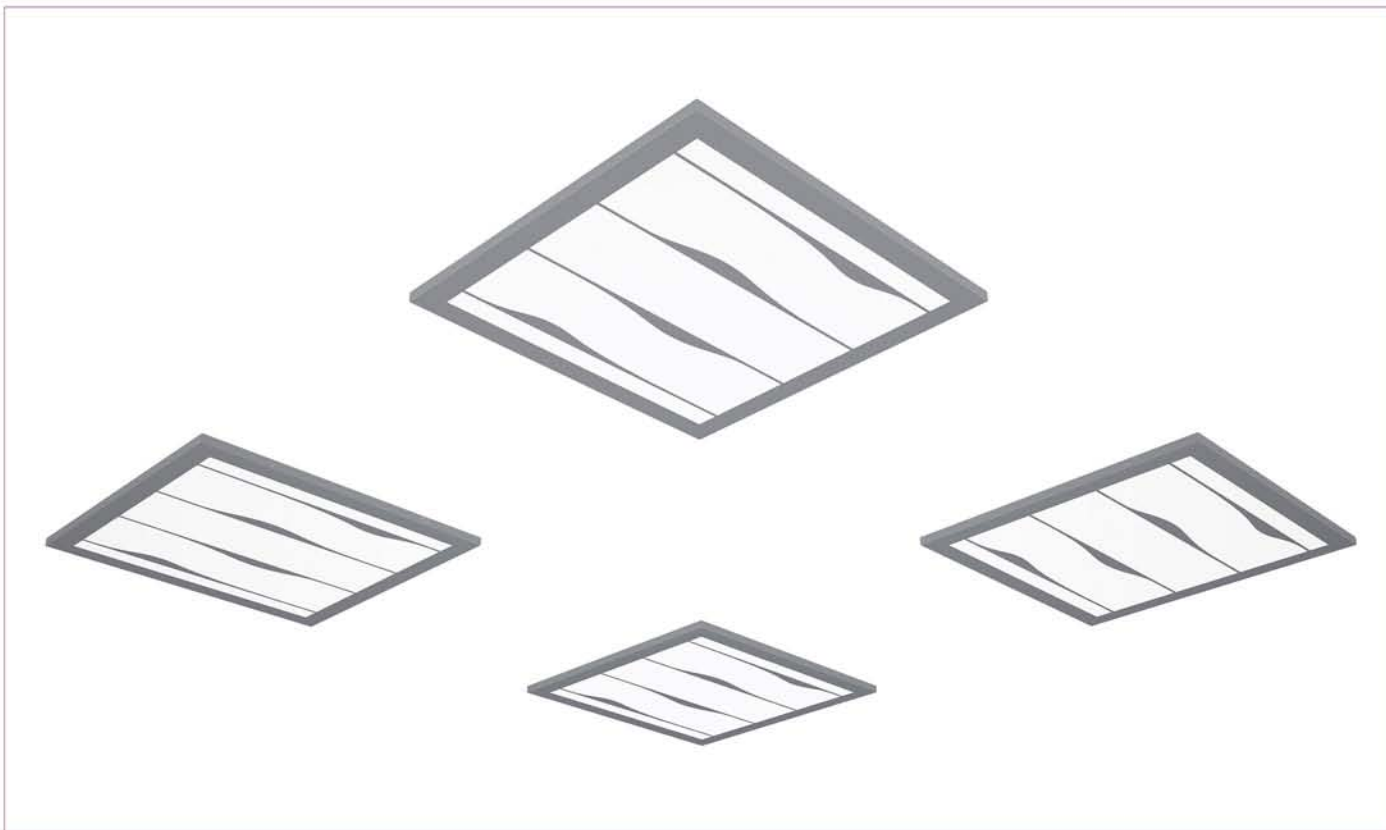
Multi-CCT Technology	Product Benefits	Areas Of Application
<p>Three CCT options in the one product by user controlled</p>	<ul style="list-style-type: none"> ▶ Energy savings of up to 50 % compared to conventional luminaires ▶ High luminous efficiency, very homogeneous light ▶ No IR or UV radiation ▶ Long lifetime and low maintenance costs ▶ Easy and quick installation, ▶ Compatible with the latest lighting control technology. 	<ul style="list-style-type: none"> ▶ Architectural Indoor Lighting, ▶ Offices, Corridors, Meeting Rooms, ▶ Schools, Hotels and Hospitals, ▶ Retails and Shopping Centers, ▶ Conference and Ballrooms, ▶ Enterances and Livingrooms

Dimensions	Mounting Hole Sizes	Weight	Photometric Diagrams
<p>LxWxH: 595x595x60 mm</p>	<p>L1 x W1 = 576 x 576 mm</p>	<p>3.5kg</p>	

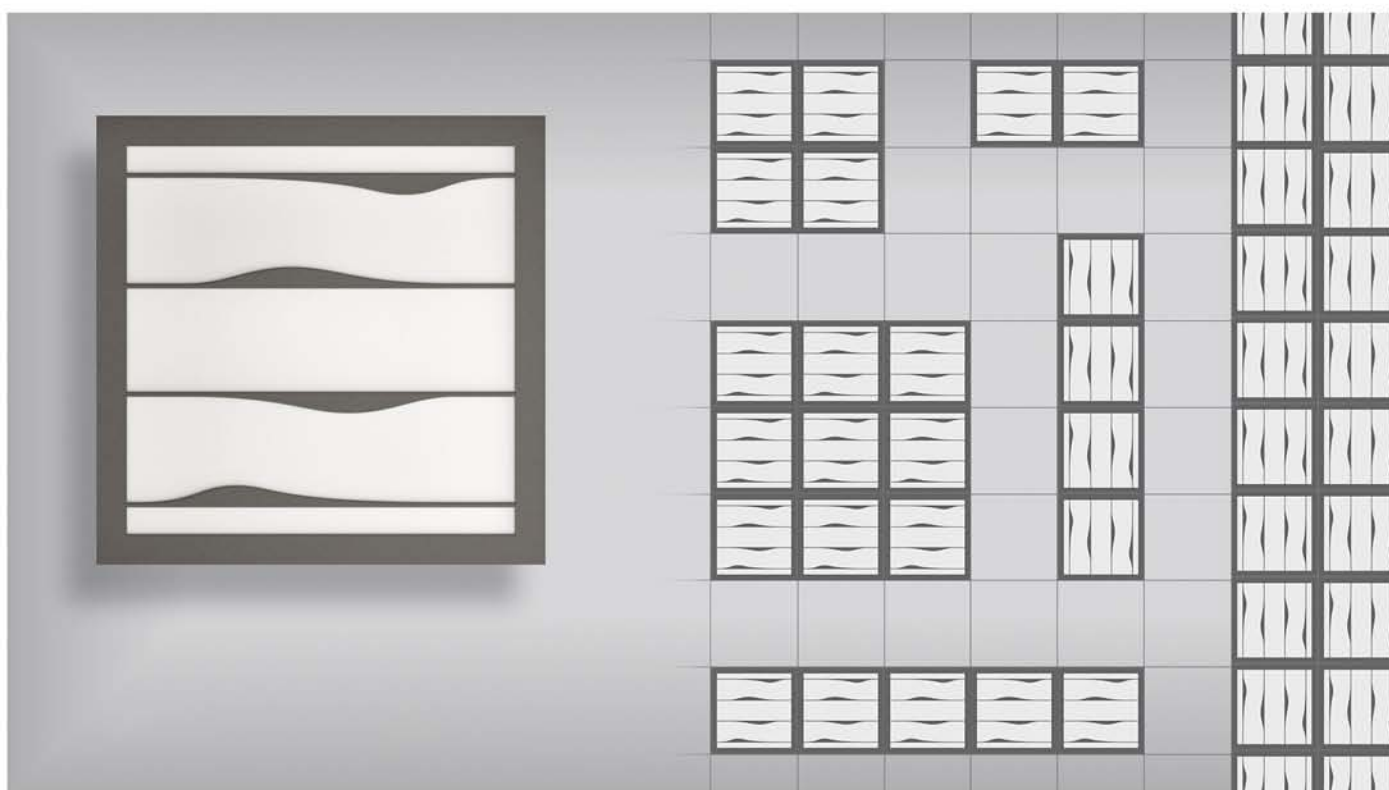
Product Series	Product Model	Product Code	Color Temperature	Lumen	CRI	PFC(λ)	Power	Voltage	Lifetime	Dimensions	Warranty
GRAPHY LEAKY	BRONZE	AXP.GRP.0606.LKY.***.BNZ	3000 K 4500 K 6500 K	3300 lm	Ra > 80	>0.92	33 W	220-240 V @50-60 Hz	50.000 h	600x600x60 mm	2 Years
	TITANIUM	AXP.GRP.0606.LKY.***.TNM	3000 K 4500 K 6500 K	3400 lm	Ra > 85	>0.92	33 W	220-240 V @50-60 Hz	50.000 h	600x600x60 mm	3 Years
	SILVER	AXP.GRP.0606.LKY.***.SLV	3000 K 4500 K 6500 K	3500lm	Ra > 80	>0.92	33 W	220-240 V @50-60 Hz	50.000 h	600x600x60 mm	2 Years
	GOLD	AXP.GRP.0606.LKY.***.GLD	3000 K 4500 K 6500 K	3600 lm	Ra > 85	>0.92	33 W	220-240 V @50-60 Hz	50.000 h	600x600x60 mm	3 Years
	PLATINIUM	AXP.GRP.0606.LKY.***.PLT	3000 K 4500 K 6500 K	3600 lm	Ra > 85	>0.95	33 W	220-240 V @50-60 Hz	50.000 h	600x600x60 mm	3 Years

*** Mounting Alternatives: LAY-ON, CLIP-IN, FLUSH, SURFACE MOUNTED

For more information on other models, www.okvolight.com



SINGLE USAGE | LEAKY



ALTERNATIVE USAGES | LEAKY

GRAPHY MESHY LED PANEL

Products Features

Mounting Type

LAY-ON, CLIP-IN, FLUSH or SURFACE Mounted

Body

2D Decorative Cover Design, electrostatic powder coated DKP sheet.

Diffuser

Opal diffuser with prismatic surface, providing homogeneous light

LED

≥50,000 h lifetime, high efficiency and high color quality index.

Color Temperature

Cool White, Natural White, Warm White and 3in1 CCT options

Driver

Constant current LED driver with high efficiency,

Operating Temperature

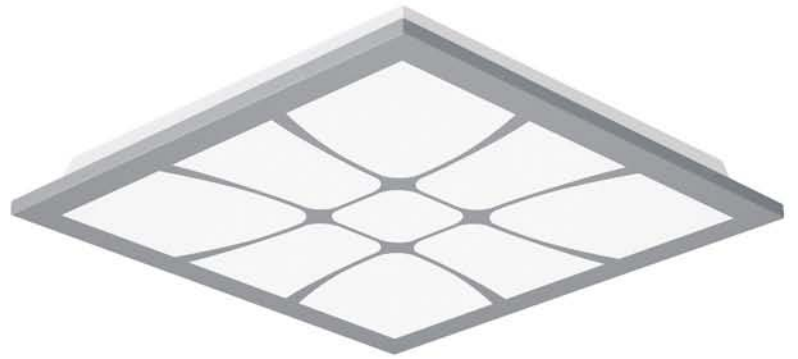
-25 °C / + 50 °C operating ambient temperature range


Dimension Alternatives

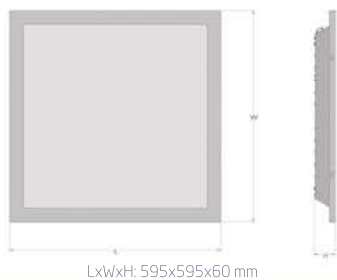
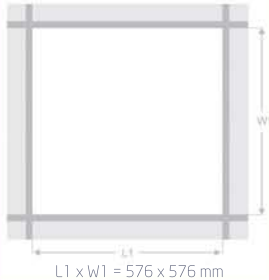

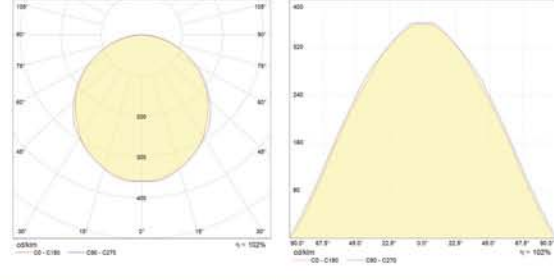
600x600 mm, 300x300 mm, 300x600 mm, 300x1200 mm , 600x1200 mm

Optional & Additional Features

- ▶ Optional Front Face Model Design
- ▶ DALI Driver Compatible
- ▶ Dimmable with DIMM Moduls
- ▶ Emergency Lighting Kit (1-3 hours)
- ▶ OKVO Smart Applications



Multi-CCT Technology	Product Benefits	Areas Of Application
 <p>Three CCT options in the one product by user controlled</p>	<ul style="list-style-type: none"> ▶ Energy savings of up to 50 % compared to conventional luminaires ▶ High luminous efficiency, very homogeneous light ▶ No IR or UV radiation ▶ Long lifetime and low maintenance costs ▶ Easy and quick installation, ▶ Compatible with the latest lighting control technology. 	<ul style="list-style-type: none"> ▶ Architectural Indoor Lighting, ▶ Offices, Corridors, Meeting Rooms, ▶ Schools, Hotels and Hospitals, ▶ Retails and Shopping Centers, ▶ Conference and Ballrooms, ▶ Enterances and Livingrooms

Dimensions	Mounting Hole Sizes	Weight	Photometric Diagrams
 <p>LxWxH: 595x595x60 mm</p>	 <p>L1 x W1 = 576 x 576 mm</p>	 <p>3.5kg</p>	

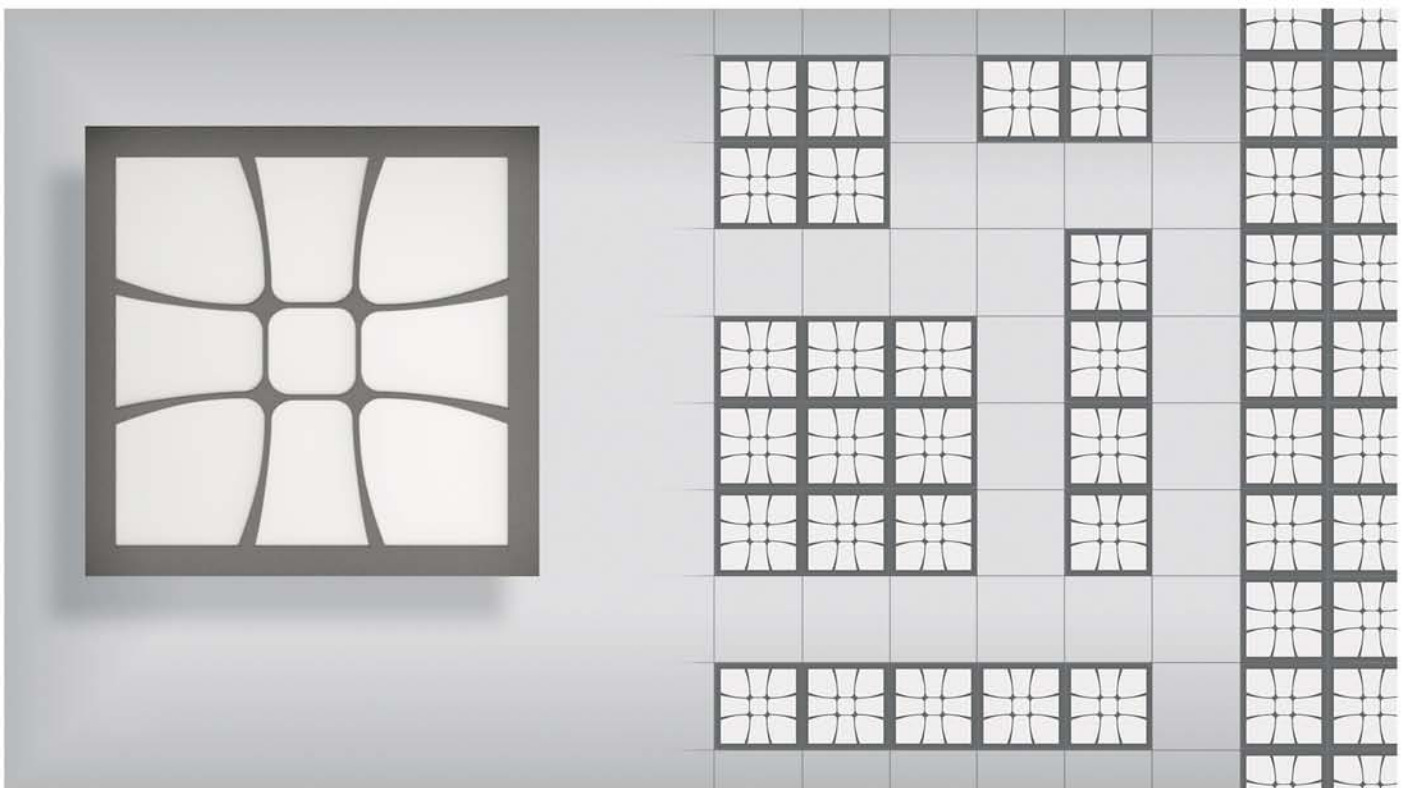
Product Series	Product Model	Product Code	Color Temperature	Lumen	CRI	PFC(λ)	Power	Voltage	Lifetime	Dimensions	Warranty
GRAPHY MESHY	BRONZE	AXP.GRP.0606.MSY.**.BNZ	3000 K 4500 K 6500 K	3300 lm	Ra > 80	>0.92	33 W	220-240 V @50-60 Hz	50.000 h	600x600x60 mm	2 Years
	TITANIUM	AXP.GRP.0606.MSY.**.TNM	3000 K 4500 K 6500 K	3400 lm	Ra > 85	>0.92	33 W	220-240 V @50-60 Hz	50.000 h	600x600x60 mm	3 Years
	SILVER	AXP.GRP.0606.MSY.**.SLV	3000 K 4500 K 6500 K	3500lm	Ra > 80	>0.92	33 W	220-240 V @50-60 Hz	50.000 h	600x600x60 mm	2 Years
	GOLD	AXP.GRP.0606.MSY.**.GLD	3000 K 4500 K 6500 K	3600 lm	Ra > 85	>0.92	33 W	220-240 V @50-60 Hz	50.000 h	600x600x60 mm	3 Years
	PLATINIUM	AXP.GRP.0606.MSY.**.PLT	3000 K 4500 K 6500 K	3600 lm	Ra > 85	>0.95	33 W	220-240 V @50-60 Hz	50.000 h	600x600x60 mm	3 Years

*** Mounting Alternatives: LAY-ON, CLIP-IN, FLUSH, SURFACE MOUNTED

For more information on other models, www.okvolight.com



INTEGRATED USAGE | **MESHY**



ALTERNATIVE USAGES | **MESHY**

GRAPHY PIXY LED PANEL

Products Features

Mounting Type

LAY-ON, CLIP-IN, FLUSH or SURFACE Mounted

Body

2D Decorative Cover Design, electrostatic powder coated DKP sheet.

Diffuser

Opal diffuser with prismatic surface, providing homogeneous light

LED

≥50,000 h lifetime, high efficiency and high color quality index.

Color Temperature

Cool White, Natural White, Warm White and 3in1 CCT options

Driver

Constant current LED driver with high efficiency,

Operating Temperature

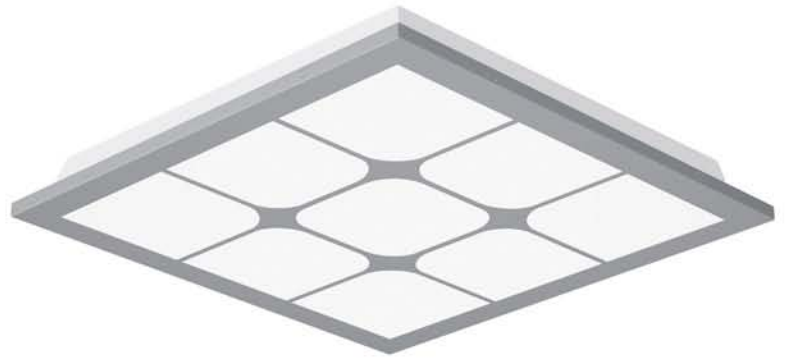
-25 °C / + 50 °C operating ambient temperature range


Dimension Alternatives

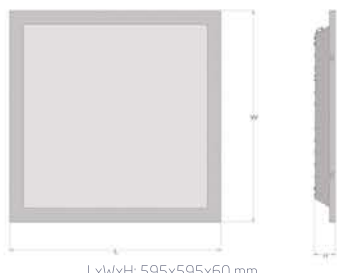
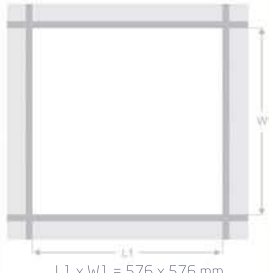

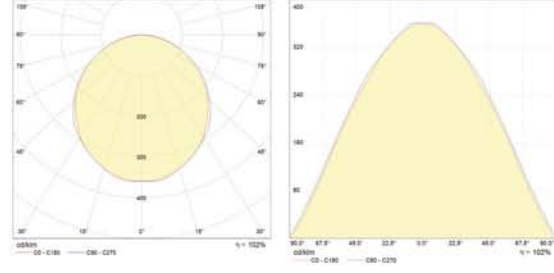
600x600 mm, 300x300 mm, 300x600 mm, 300x1200 mm , 600x1200 mm


Optional & Additional Features

- ▶ Optional Front Face Model Design
- ▶ DALI Driver Compatible
- ▶ Dimmable with DIMM Moduls
- ▶ Emergency Lighting Kit (1-3 hours)
- ▶ OKVO Smart Applications



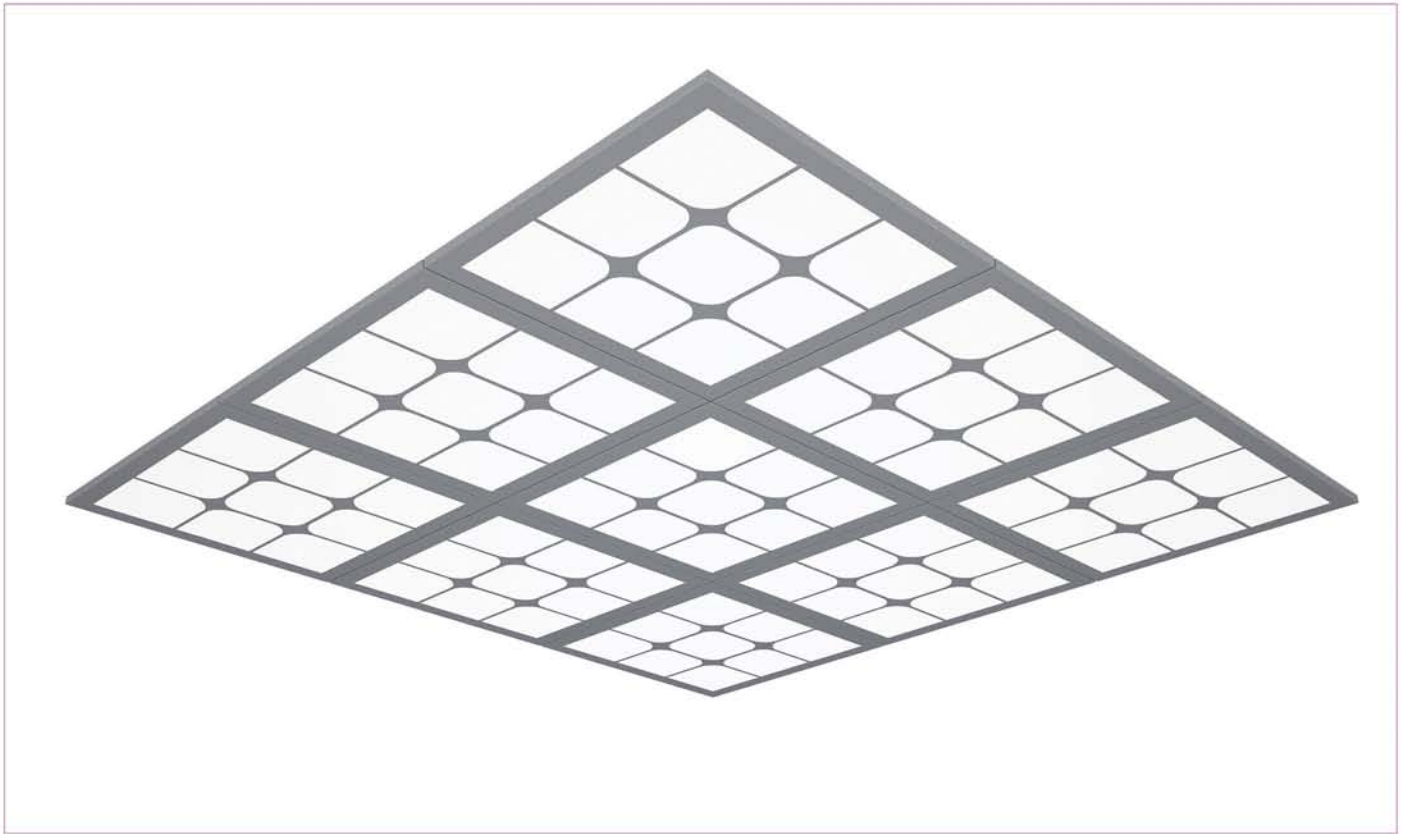
Multi-CCT Technology	Product Benefits	Areas Of Application
 <p>Three CCT options in the one product by user controlled</p>	<ul style="list-style-type: none"> ▶ Energy savings of up to 50 % compared to conventional luminaires ▶ High luminous efficiency, very homogeneous light ▶ No IR or UV radiation ▶ Long lifetime and low maintenance costs ▶ Easy and quick installation, ▶ Compatible with the latest lighting control technology. 	<ul style="list-style-type: none"> ▶ Architectural Indoor Lighting, ▶ Offices, Corridors, Meeting Rooms, ▶ Schools, Hotels and Hospitals, ▶ Retails and Shopping Centers, ▶ Conference and Ballrooms, ▶ Enterances and Livingrooms

Dimensions	Mounting Hole Sizes	Weight	Photometric Diagrams
 <p>LxWxH: 595x595x60 mm</p>	 <p>L1 x W1 = 576 x 576 mm</p>	 <p>3.5kg</p>	

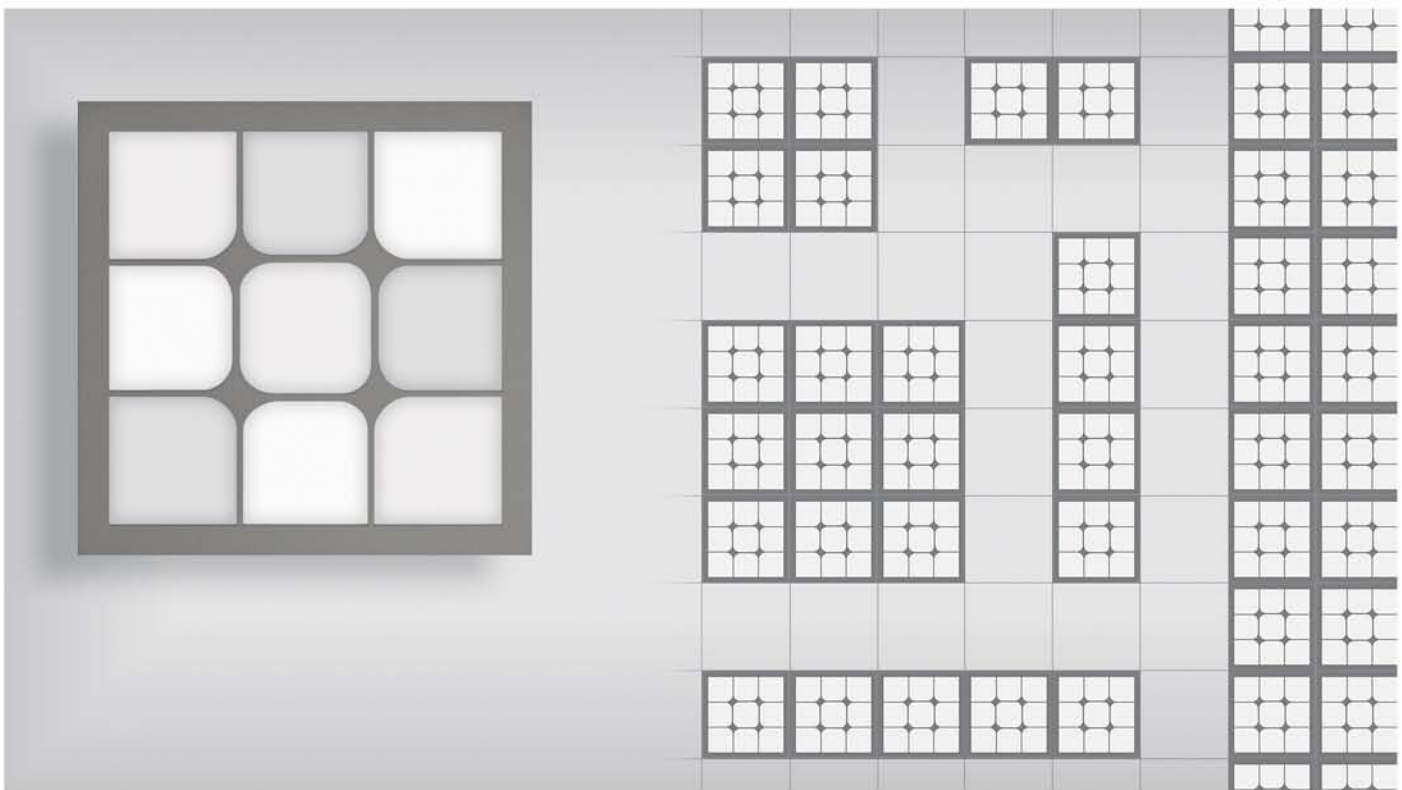
Product Series	Product Model	Product Code	Color Temperature	Lumen	CRI	PFC(λ)	Power	Voltage	Lifetime	Dimensions	Warranty
GRAPHY PIXY	BRONZE	AXP.GRP.0606.PXY.***.BNZ	3000 K 4500 K 6500 K	3300 lm	Ra> 80	>0.92	33 W	220-240 V @50-60 Hz	50.000 h	600x600x60 mm	2 Years
	TITANIUM	AXP.GRP.0606.PXY.***.TNM	3000 K 4500 K 6500 K	3400 lm	Ra> 85	>0.92	33 W	220-240 V @50-60 Hz	50.000 h	600x600x60 mm	3 Years
	SILVER	AXP.GRP.0606.PXY.***.SLV		3500lm	Ra> 80	>0.92	33 W	220-240 V @50-60 Hz	50.000 h	600x600x60 mm	2 Years
	GOLD	AXP.GRP.0606.PXY.***.GLD		3600 lm	Ra> 85	>0.92	33 W	220-240 V @50-60 Hz	50.000 h	600x600x60 mm	3 Years
	PLATINIUM	AXP.GRP.0606.PXY.***.PLT		3600 lm	Ra> 85	>0.95	33 W	220-240 V @50-60 Hz	50.000 h	600x600x60 mm	3 Years

*** Mounting Alternatives: LAY-ON, CLIP-IN, FLUSH, SURFACE MOUNTED

For more information on other models, www.okvolight.com



INTEGRATED USAGE | PIXY



ALTERNATIVE USAGES | PIXY

GRAPHY VINDER LED PANEL

Products Features

Mounting Type

LAY-ON, CLIP-IN, FLUSH or SURFACE Mounted

Body

2D Decorative Cover Design, electrostatic powder coated DKP sheet.

Diffuser

Opal diffuser with prismatic surface, providing homogeneous light

LED

≥50,000 h lifetime, high efficiency and high color quality index.

Color Temperature

Cool White, Natural White, Warm White and 3in1 CCT options

Driver

Constant current LED driver with high efficiency,

Operating Temperature

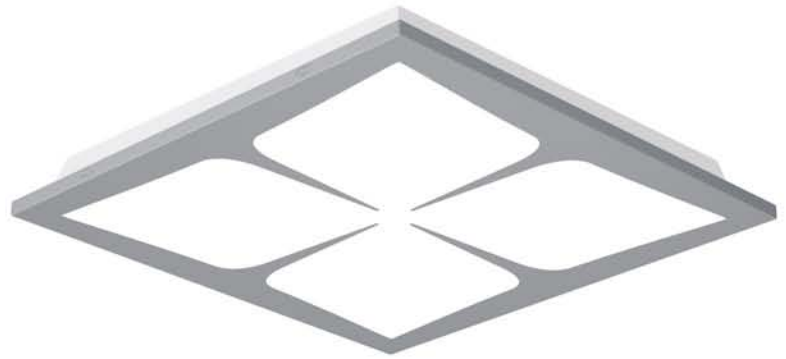
-25 °C / + 50 °C operating ambient temperature range


Dimension Alternatives

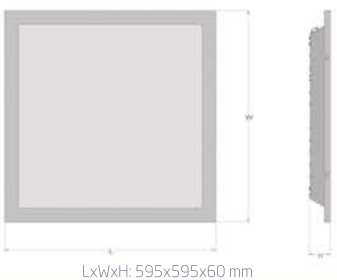
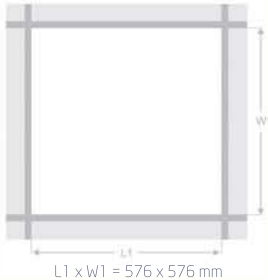

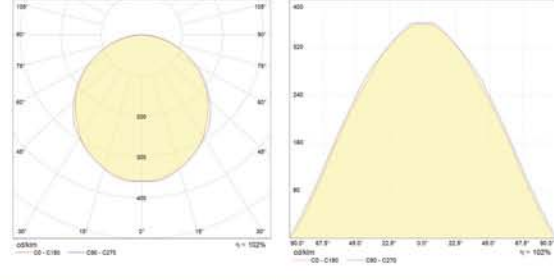
600x600 mm, 300x300 mm, 300x600 mm, 300x1200 mm , 600x1200 mm


Optional & Additional Features

- ▶ Optional Front Face Model Design
- ▶ DALI Driver Compatible
- ▶ Dimmable with DIMM Moduls
- ▶ Emergency Lighting Kit (1-3 hours)
- ▶ OKVO Smart Applications



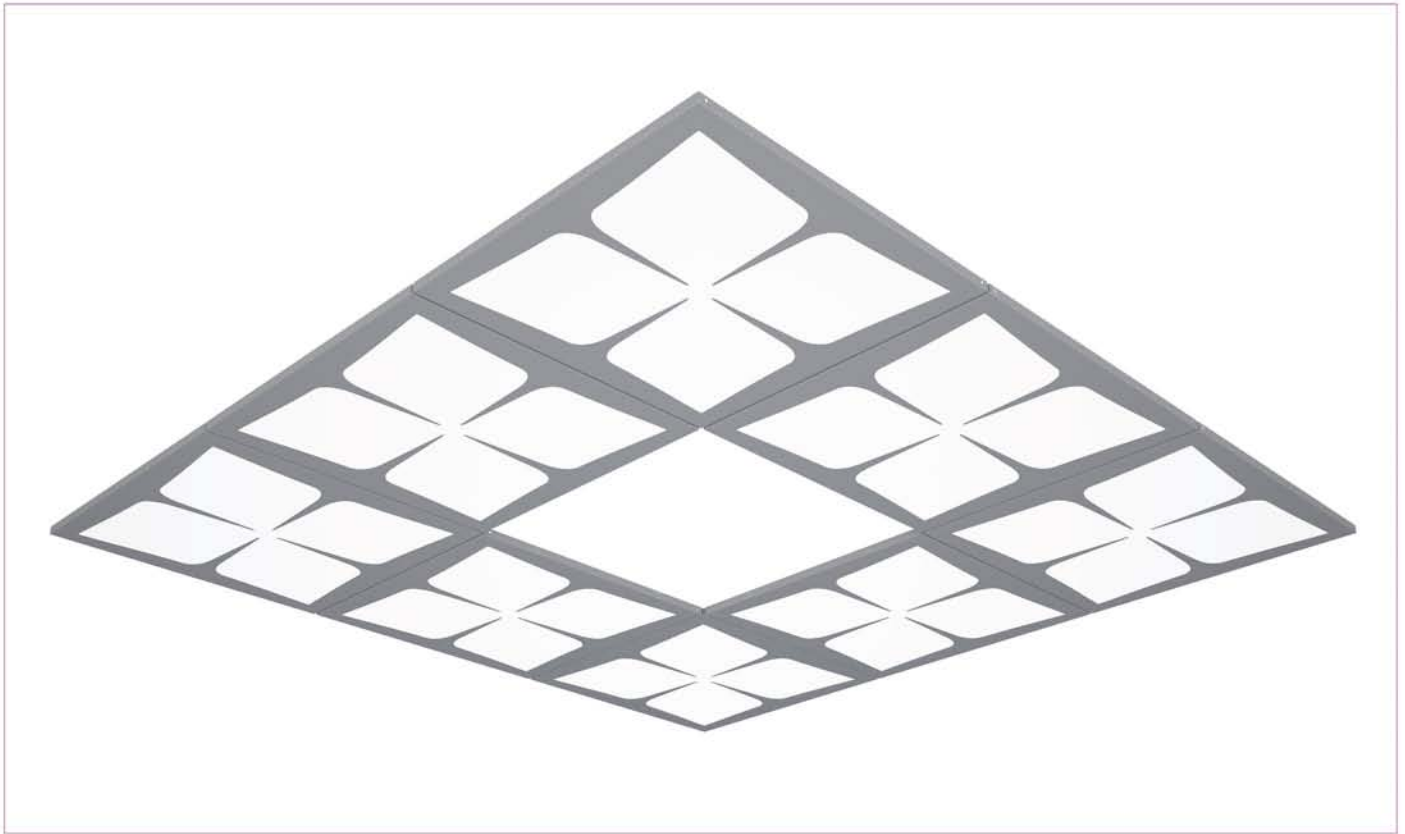
Multi-CCT Technology	Product Benefits	Areas Of Application
 <p>Three CCT options in the one product by user controlled</p>	<ul style="list-style-type: none"> ▶ Energy savings of up to 50 % compared to conventional luminaires ▶ High luminous efficiency, very homogeneous light ▶ No IR or UV radiation ▶ Long lifetime and low maintenance costs ▶ Easy and quick installation, ▶ Compatible with the latest lighting control technology. 	<ul style="list-style-type: none"> ▶ Architectural Indoor Lighting, ▶ Offices, Corridors, Meeting Rooms, ▶ Schools, Hotels and Hospitals, ▶ Retails and Shopping Centers, ▶ Conference and Ballrooms, ▶ Enterances and Livingrooms

Dimensions	Mounting Hole Sizes	Weight	Photometric Diagrams
 <p>LxWxH: 595x595x60 mm</p>	 <p>L1 x W1 = 576 x 576 mm</p>	 <p>3.5kg</p>	

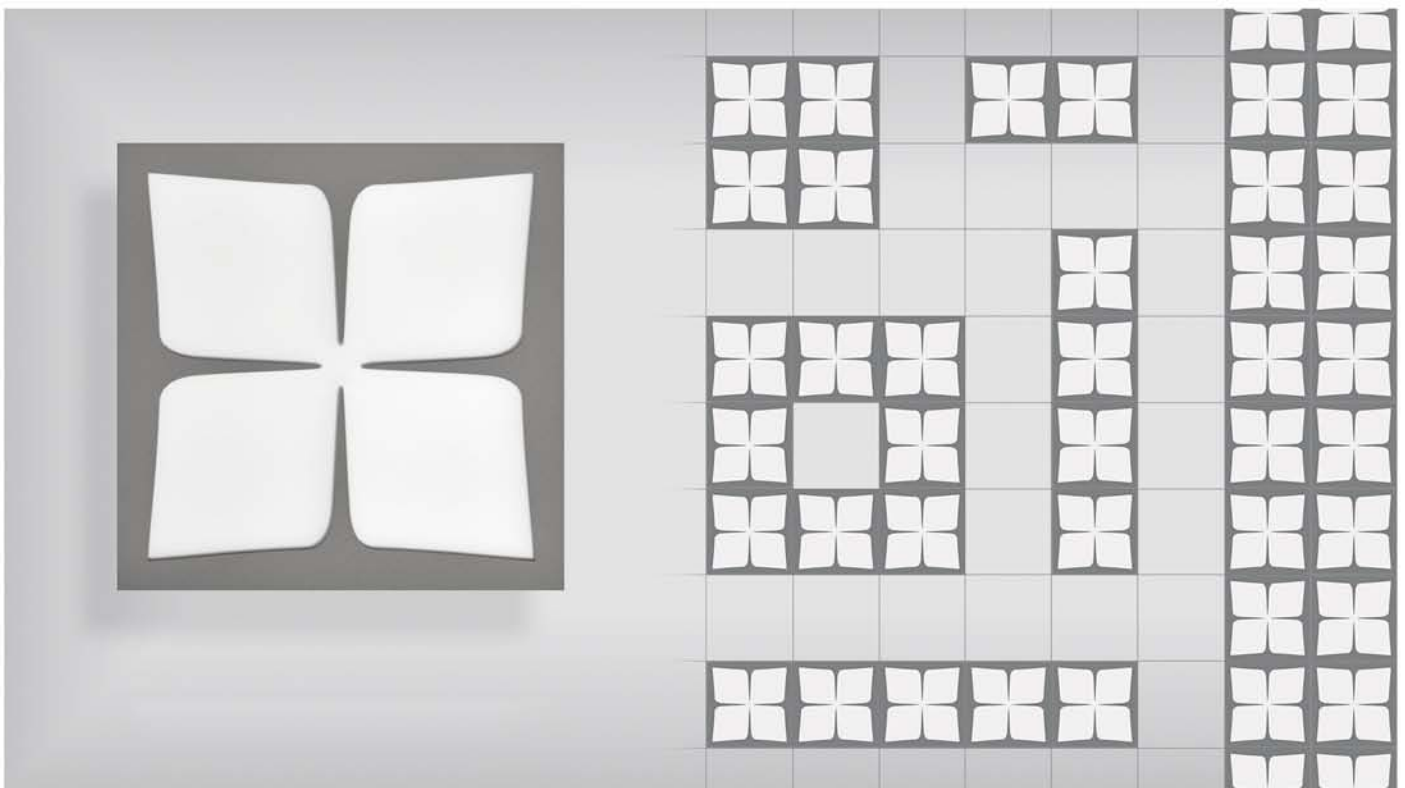
Product Series	Product Model	Product Code	Color Temperature	Lumen	CRI	PFC(λ)	Power	Voltage	Lifetime	Dimensions	Warranty
GRAPHY VINDER	BRONZE	AXP.GRP.0606.VND.***.BNZ	3000 K 4500 K 6500 K	3300 lm	Ra > 80	>0.92	33 W	220-240 V @50-60 Hz	50.000 h	600x600x60 mm	2 Years
	TITANIUM	AXP.GRP.0606.VND.***.TNM	3000 K 4500 K 6500 K	3400 lm	Ra > 85	>0.92	33 W	220-240 V @50-60 Hz	50.000 h	600x600x60 mm	3 Years
	SILVER	AXP.GRP.0606.VND.***.SLV		3500lm	Ra > 80	>0.92	33 W	220-240 V @50-60 Hz	50.000 h	600x600x60 mm	2 Years
	GOLD	AXP.GRP.0606.VND.***.GLD		3600 lm	Ra > 85	>0.92					3 Years
	PLATINIUM	AXP.GRP.0606.VND.***.PLT		3600 lm	Ra > 85	>0.95					3 Years

*** Mounting Alternatives: LAY-ON, CLIP-IN, FLUSH, SURFACE MOUNTED

For more information on other models, www.okvolight.com



INTEGRATED USAGE | **VINDER**



ALTERNATIVE USAGES | **VINDER**

GRAPHY TWINKLE LED PANEL

Products Features

Mounting Type

LAY-ON, CLIP-IN, FLUSH or SURFACE Mounted

Body

2D Decorative Cover Design, electrostatic powder coated DKP sheet.

Diffuser

Opal diffuser with prismatic surface, providing homogeneous light

LED

≥50,000 h lifetime, high efficiency and high color quality index.

Color Temperature

Cool White, Natural White, Warm White and 3in1 CCT options

Driver

Constant current LED driver with high efficiency,

Operating Temperature

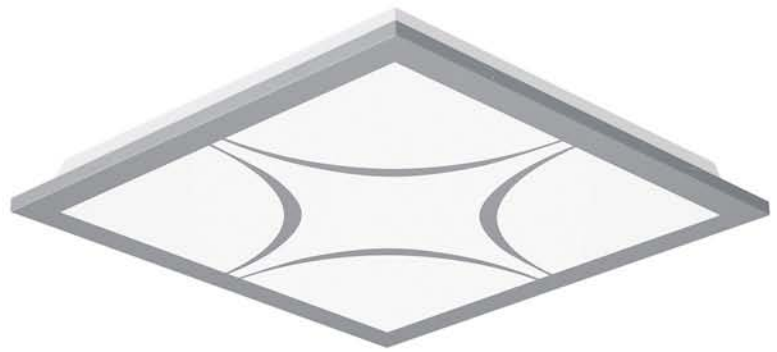
-25 °C / + 50 °C operating ambient temperature range


Dimension Alternatives

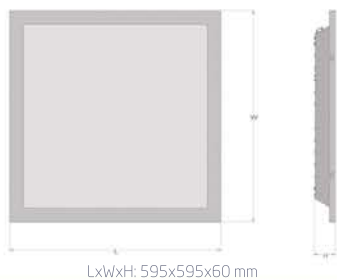
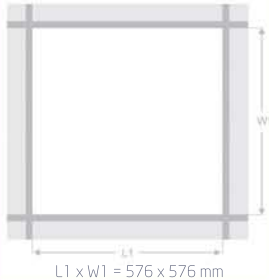

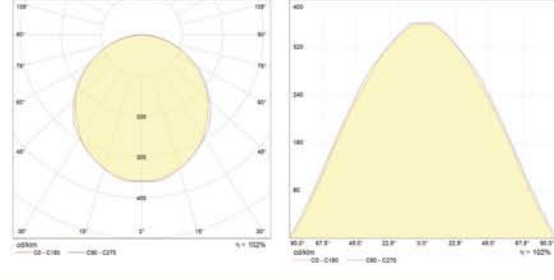
600x600 mm, 300x300 mm, 300x600 mm, 300x1200 mm , 600x1200 mm

Optional & Additional Features

- ▶ Optional Front Face Model Design
- ▶ DALI Driver Compatible
- ▶ Dimmable with DIMM Moduls
- ▶ Emergency Lighting Kit (1-3 hours)
- ▶ OKVO Smart Applications



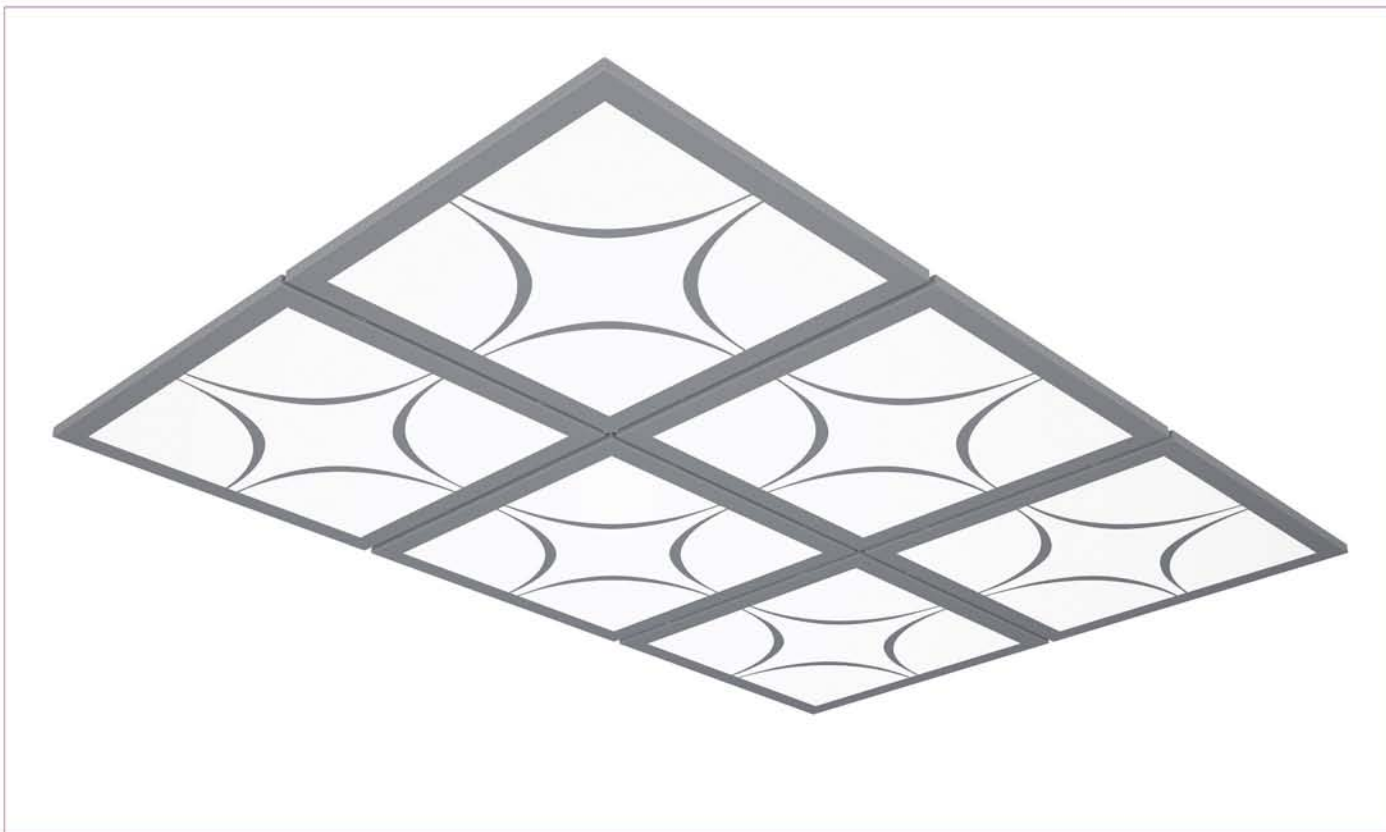
Multi-CCT Technology	Product Benefits	Areas Of Application
 <p>Three CCT options in the one product by user controlled</p>	<ul style="list-style-type: none"> ▶ Energy savings of up to 50 % compared to conventional luminaires ▶ High luminous efficiency, very homogeneous light ▶ No IR or UV radiation ▶ Long lifetime and low maintenance costs ▶ Easy and quick installation, ▶ Compatible with the latest lighting control technology. 	<ul style="list-style-type: none"> ▶ Architectural Indoor Lighting, ▶ Offices, Corridors, Meeting Rooms, ▶ Schools, Hotels and Hospitals, ▶ Retails and Shopping Centers, ▶ Conference and Ballrooms, ▶ Enterances and Livingrooms

Dimensions	Mounting Hole Sizes	Weight	Photometric Diagrams
 <p>LxWxH: 595x595x60 mm</p>	 <p>L1 x W1 = 576 x 576 mm</p>	 <p>3.5kg</p>	

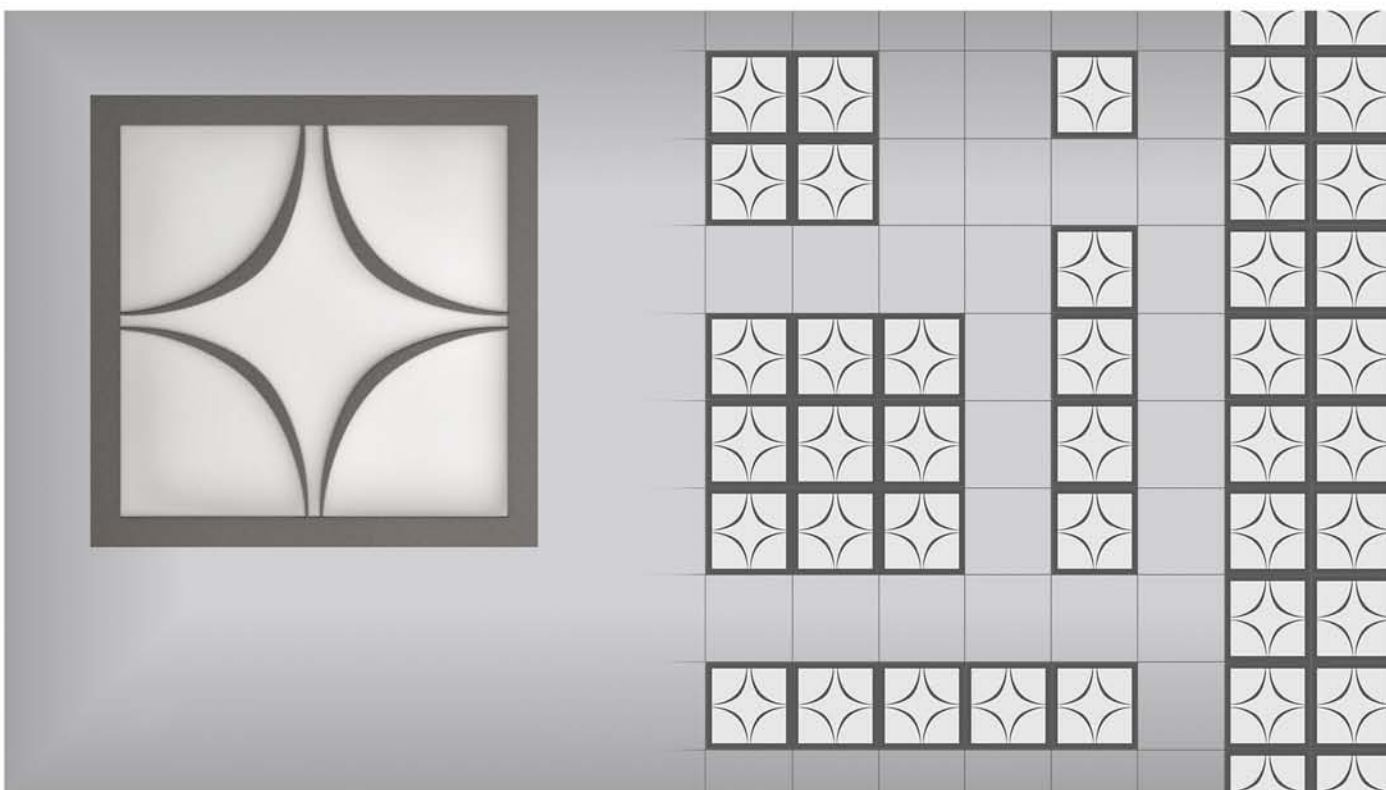
Product Series	Product Model	Product Code	Color Temperature	Lumen	CRI	PFC(λ)	Power	Voltage	Lifetime	Dimensions	Warranty
GRAPHY TWINKLE	BRONZE	AXP.GRP.0606.TWK.**.BNZ	3000 K 4500 K 6500 K	3300 lm	Ra > 80	>0.92	33 W	220-240 V @50-60 Hz	50.000 h	600x600x60 mm	2 Years
	TITANIUM	AXP.GRP.0606.TWK.**.TNM	3000 K 4500 K 6500 K	3400 lm	Ra > 85	>0.92	33 W	220-240 V @50-60 Hz	50.000 h	600x600x60 mm	3 Years
	SILVER	AXP.GRP.0606.TWK.**.SLV	3000 K 4500 K 6500 K	3500lm	Ra > 80	>0.92	33 W	220-240 V @50-60 Hz	50.000 h	600x600x60 mm	2 Years
	GOLD	AXP.GRP.0606.TWK.**.GLD	3000 K 4500 K 6500 K	3600 lm	Ra > 85	>0.92	33 W	220-240 V @50-60 Hz	50.000 h	600x600x60 mm	3 Years
	PLATINIUM	AXP.GRP.0606.TWK.**.PLT	3000 K 4500 K 6500 K	3600 lm	Ra > 85	>0.95	33 W	220-240 V @50-60 Hz	50.000 h	600x600x60 mm	3 Years

*** Mounting Alternatives: LAY-ON, CLIP-IN, FLUSH, SURFACE MOUNTED

For more information on other models, www.okvolight.com



INTEGRATED USAGE | TWINKLE



ALTERNATIVE USAGES | TWINKLE

GRAPHY FI LED PANEL

Products Features

Mounting Type

LAY-ON, CLIP-IN, FLUSH or SURFACE Mounted

Body

2D Decorative Cover Design, electrostatic powder coated DKP sheet.

Diffuser

Opal diffuser with prismatic surface, providing homogeneous light

LED

≥50,000 h lifetime, high efficiency and high color quality index.

Color Temperature

Cool White, Natural White, Warm White and 3in1 CCT options

Driver

Constant current LED driver with high efficiency,

Operating Temperature

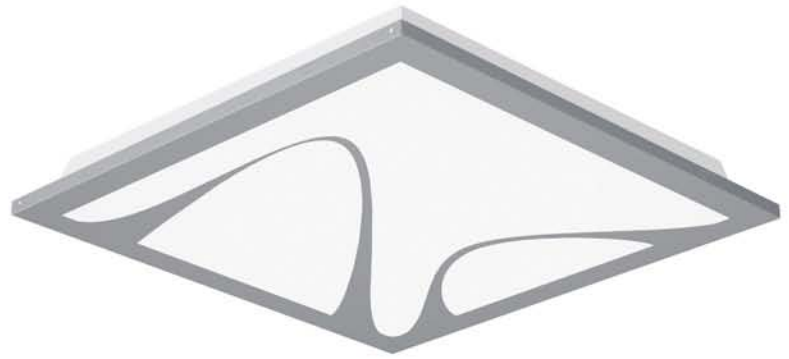
-25 °C / + 50 °C operating ambient temperature range


Dimension Alternatives

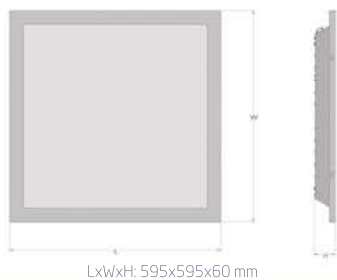
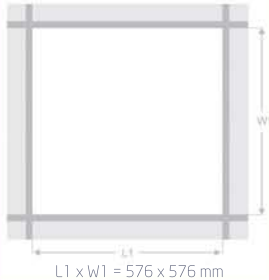

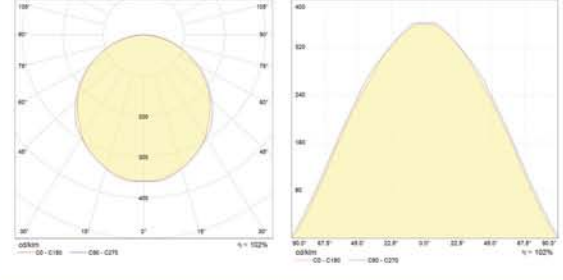
600x600 mm, 300x300 mm, 300x600 mm, 300x1200 mm , 600x1200 mm


Optional & Additional Features

- ▶ Optional Front Face Model Design
- ▶ DALI Driver Compatible
- ▶ Dimmable with DIMM Moduls
- ▶ Emergency Lighting Kit (1-3 hours)
- ▶ OKVO Smart Applications



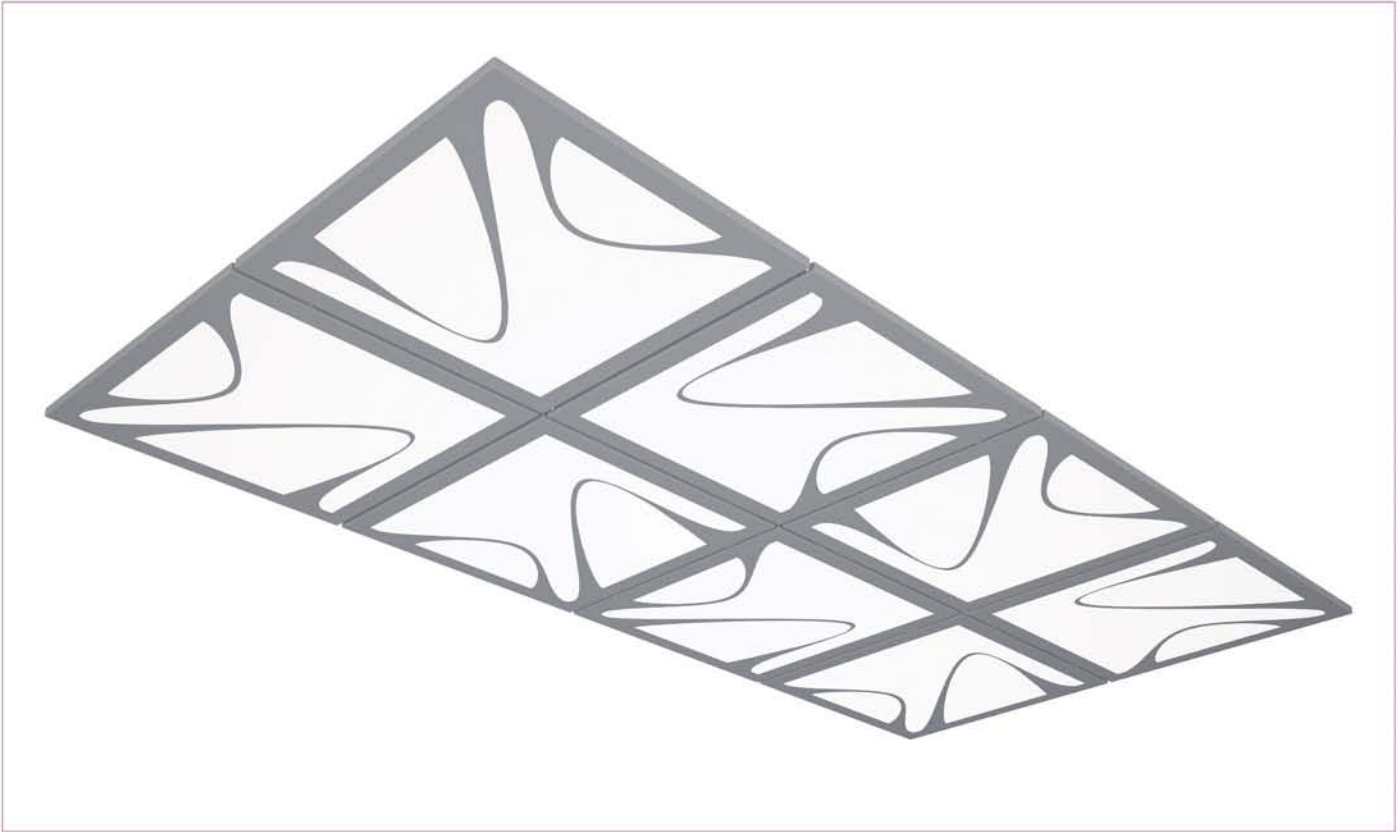
Multi-CCT Technology	Product Benefits	Areas Of Application
 <p>Three CCT options in the one product by user controlled</p>	<ul style="list-style-type: none"> ▶ Energy savings of up to 50 % compared to conventional luminaires ▶ High luminous efficiency, very homogeneous light ▶ No IR or UV radiation ▶ Long lifetime and low maintenance costs ▶ Easy and quick installation, ▶ Compatible with the latest lighting control technology. 	<ul style="list-style-type: none"> ▶ Architectural Indoor Lighting, ▶ Offices, Corridors, Meeting Rooms, ▶ Schools, Hotels and Hospitals, ▶ Retails and Shopping Centers, ▶ Conference and Ballrooms, ▶ Enterances and Livingrooms

Dimensions	Mounting Hole Sizes	Weight	Photometric Diagrams
 <p>LxWxH: 595x595x60 mm</p>	 <p>L1 x W1 = 576 x 576 mm</p>	 <p>3.5kg</p>	

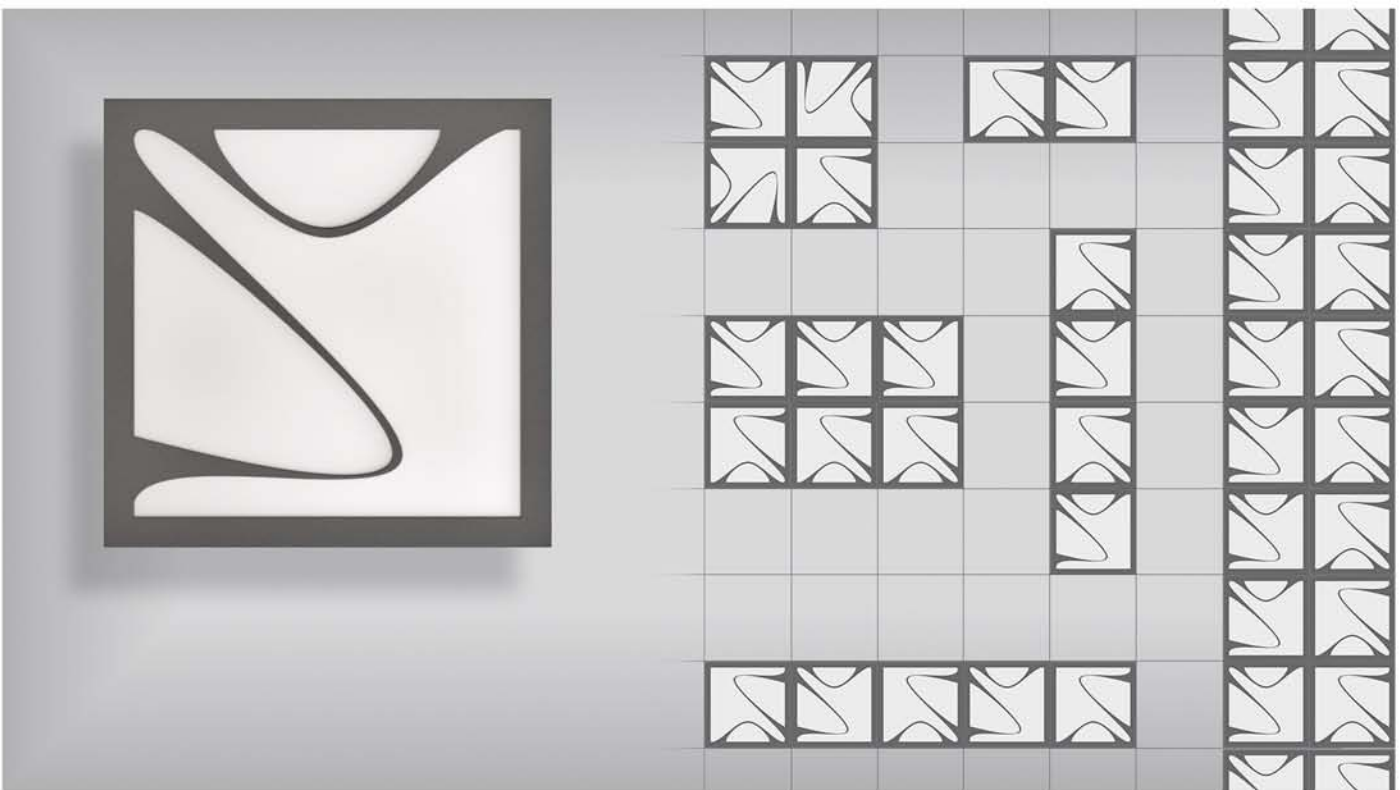
Product Series	Product Model	Product Code	Color Temperature	Lumen	CRI	PFC(λ)	Power	Voltage	Lifetime	Dimensions	Warranty
GRAPHY FI	BRONZE	AXP.GRP.0606.XFI.**.BNZ	3000 K 4500 K 6500 K	3300 lm	Ra > 80	>0.92	33 W	220-240 V @50-60 Hz	50.000 h	600x600x60 mm	2 Years
	TITANIUM	AXP.GRP.0606.XFI.**.TNM	3000 K 4500 K 6500 K	3400 lm	Ra > 85	>0.92	33 W	220-240 V @50-60 Hz	50.000 h	600x600x60 mm	3 Years
	SILVER	AXP.GRP.0606.XFI.**.SLV	3000 K 4500 K 6500 K	3500lm	Ra > 80	>0.92	33 W	220-240 V @50-60 Hz	50.000 h	600x600x60 mm	2 Years
	GOLD	AXP.GRP.0606.XFI.**.GLD		3600 lm	Ra > 85	>0.92	33 W	220-240 V @50-60 Hz	50.000 h	600x600x60 mm	3 Years
	PLATINIUM	AXP.GRP.0606.XFI.**.PLT	3000 K 4500 K 6500 K	3600 lm	Ra > 85	>0.95	33 W	220-240 V @50-60 Hz	50.000 h	600x600x60 mm	3 Years

*** Mounting Alternatives: LAY-ON, CLIP-IN, FLUSH, SURFACE MOUNTED

For more information on other models, www.okvolight.com



INTEGRATED USAGE | FI



ALTERNATIVE USAGES | FI

GRAPHY CI LED PANEL

Products Features

Mounting Type

LAY-ON, CLIP-IN, FLUSH or SURFACE Mounted

Body

2D Decorative Cover Design, electrostatic powder coated DKP sheet.

Diffuser

Opal diffuser with prismatic surface, providing homogeneous light

LED

≥50,000 h lifetime, high efficiency and high color quality index.

Color Temperature

Cool White, Natural White, Warm White and 3in1 CCT options

Driver

Constant current LED driver with high efficiency,

Operating Temperature

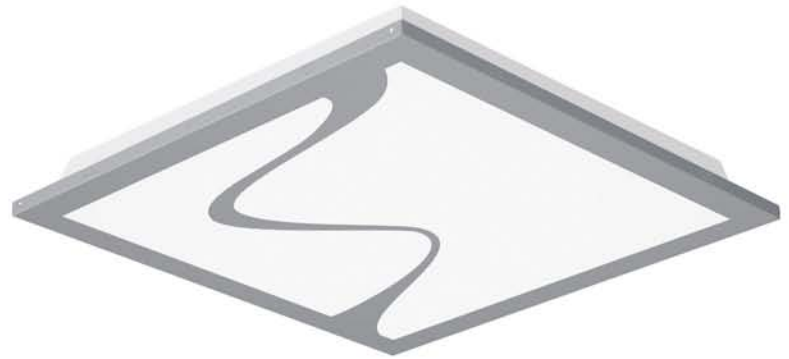
-25 °C / + 50 °C operating ambient temperature range


Dimension Alternatives

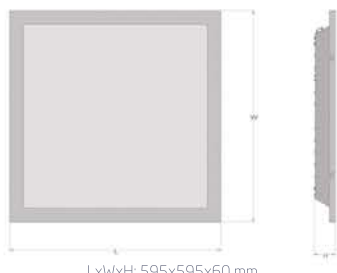
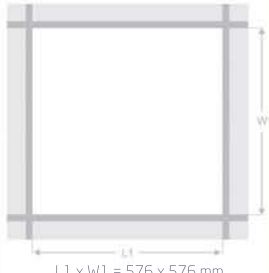

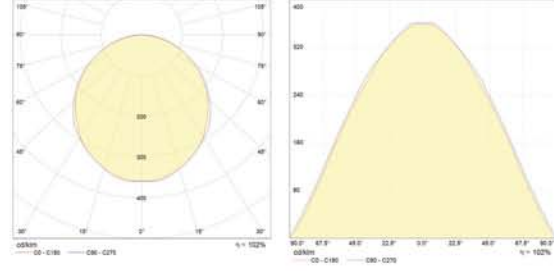
600x600 mm, 300x300 mm, 300x600 mm, 300x1200 mm , 600x1200 mm

Optional & Additional Features

- ▶ Optional Front Face Model Design
- ▶ DALI Driver Compatible
- ▶ Dimmable with DIMM Moduls
- ▶ Emergency Lighting Kit (1-3 hours)
- ▶ OKVO Smart Applications



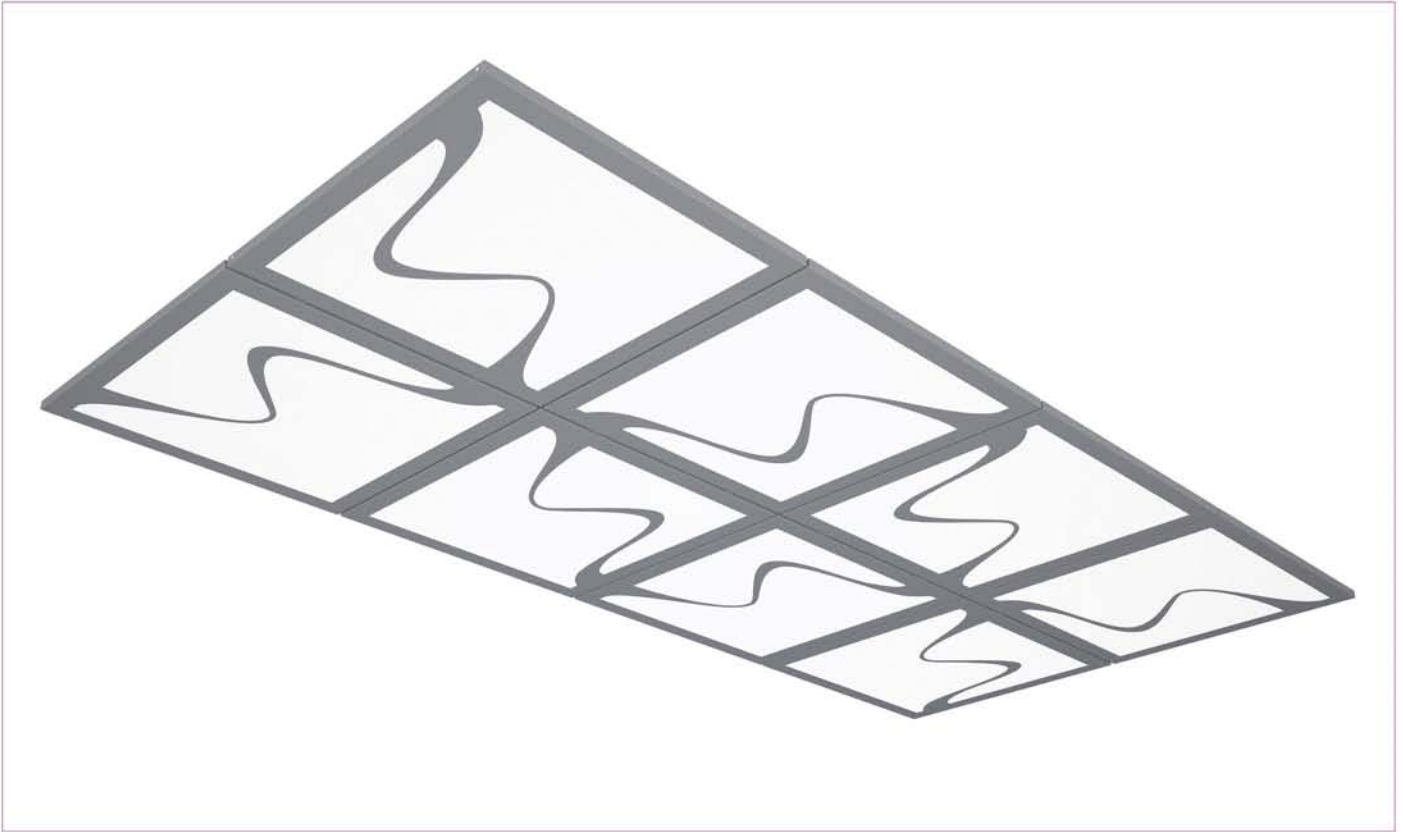
Multi-CCT Technology	Product Benefits	Areas Of Application
 <p>Three CCT options in the one product by user controlled</p>	<ul style="list-style-type: none"> ▶ Energy savings of up to 50 % compared to conventional luminaires ▶ High luminous efficiency, very homogeneous light ▶ No IR or UV radiation ▶ Long lifetime and low maintenance costs ▶ Easy and quick installation, ▶ Compatible with the latest lighting control technology. 	<ul style="list-style-type: none"> ▶ Architectural Indoor Lighting, ▶ Offices, Corridors, Meeting Rooms, ▶ Schools, Hotels and Hospitals, ▶ Retails and Shopping Centers, ▶ Conference and Ballrooms, ▶ Enterances and Livingrooms

Dimensions	Mounting Hole Sizes	Weight	Photometric Diagrams
 <p>LxWxH: 595x595x60 mm</p>	 <p>L1 x W1 = 576 x 576 mm</p>	 <p>3.5kg</p>	

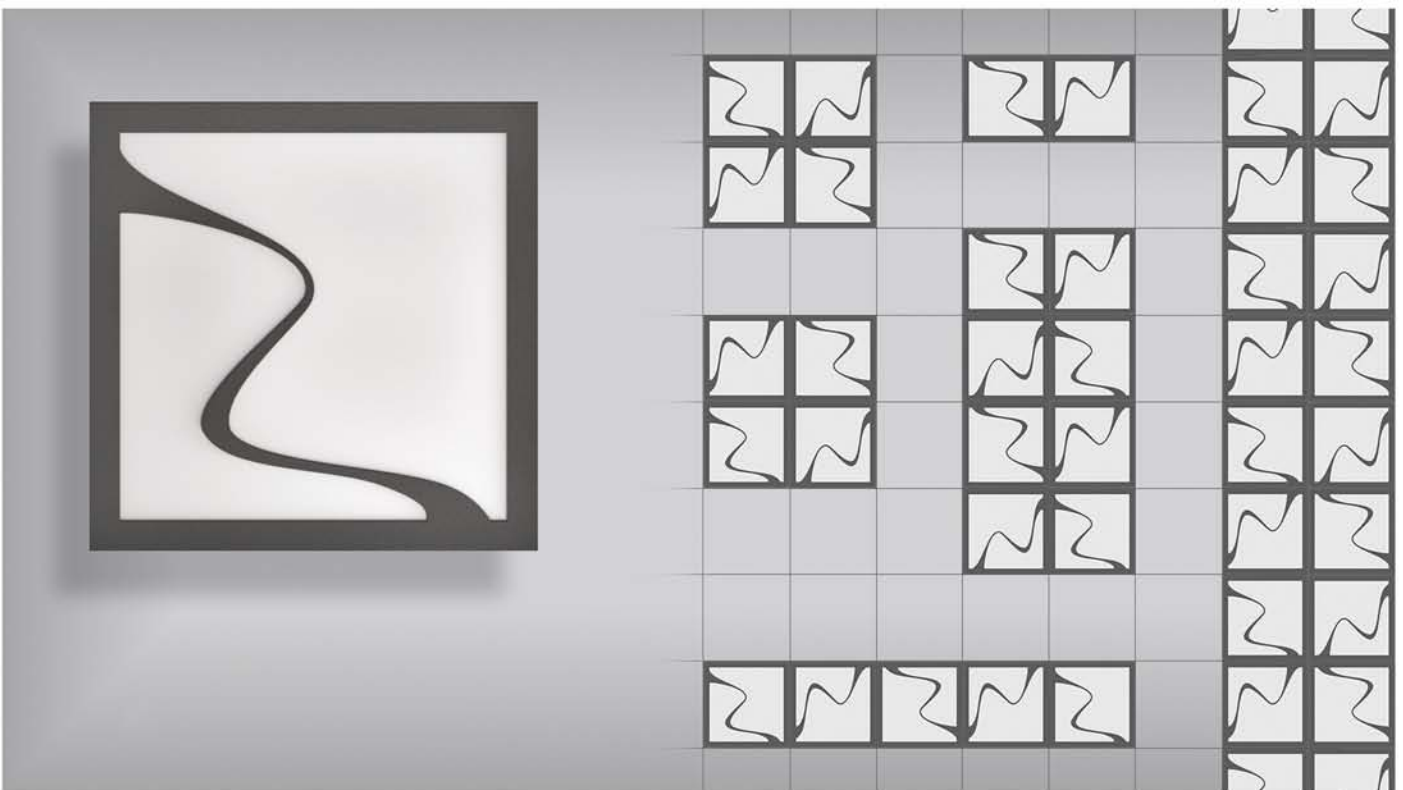
Product Series	Product Model	Product Code	Color Temperature	Lumen	CRI	PFC(λ)	Power	Voltage	Lifetime	Dimensions	Warranty
GRAPHY CI	BRONZE	AXP.GRP.0606.XCI.***.BNZ	3000 K 4500 K 6500 K	3300 lm	Ra > 80	>0.92	33 W	220-240 V @50-60 Hz	50.000 h	600x600x60 mm	2 Years
	TITANIUM	AXP.GRP.0606.XCI.***.TNM	3000 K 4500 K 6500 K	3400 lm	Ra > 85	>0.92	33 W	220-240 V @50-60 Hz	50.000 h	600x600x60 mm	3 Years
	SILVER	AXP.GRP.0606.XCI.***.SLV	3000 K 4500 K 6500 K	3500lm	Ra > 80	>0.92	33 W	220-240 V @50-60 Hz	50.000 h	600x600x60 mm	2 Years
	GOLD	AXP.GRP.0606.XCI.***.GLD		3600 lm	Ra > 85	>0.92	33 W	220-240 V @50-60 Hz	50.000 h	600x600x60 mm	3 Years
	PLATINIUM	AXP.GRP.0606.XCI.***.PLT	3000 K 4500 K 6500 K	3600 lm	Ra > 85	>0.95	33 W	220-240 V @50-60 Hz	50.000 h	600x600x60 mm	3 Years

*** Mounting Alternatives: LAY-ON, CLIP-IN, FLUSH, SURFACE MOUNTED

For more information on other models, www.okvolight.com



INTEGRATED USAGE | CI



ALTERNATIVE USAGES | CI

okvolight®

Mimarsinan Organize Sanayi Bölgesi
Kastim Cad. No:22/B Kayseri / TURKEY
T : +90 352 228 00 28
F : +90 352 228 00 29

© 2018, Okvolight. All rights reserved.

We reserve the right to change specifications, product descriptions, product quality, pricing and application at any time without prior written or oral notice.