

okvolight®

Technology Inside



SLOOPY SERIES

► **DECORATIVE**
PANEL LUMINAIRES

SLOPY SERIES LED PANEL

Products Features

Mounting Type

Surface Mounted on Ceiling

Body

Asymmetrical housing design, electrostatic powder coated DKP sheet.

Diffuser

Opal diffuser with prismatic surface, providing homogeneous light

LED

≥50,000 h lifetime, high efficiency and high color quality index.

Color Temperature

Cool White, Natural White, Warm White and 3in1 CCT options

Driver

Constant current LED driver with high efficiency,

Operating Temperature

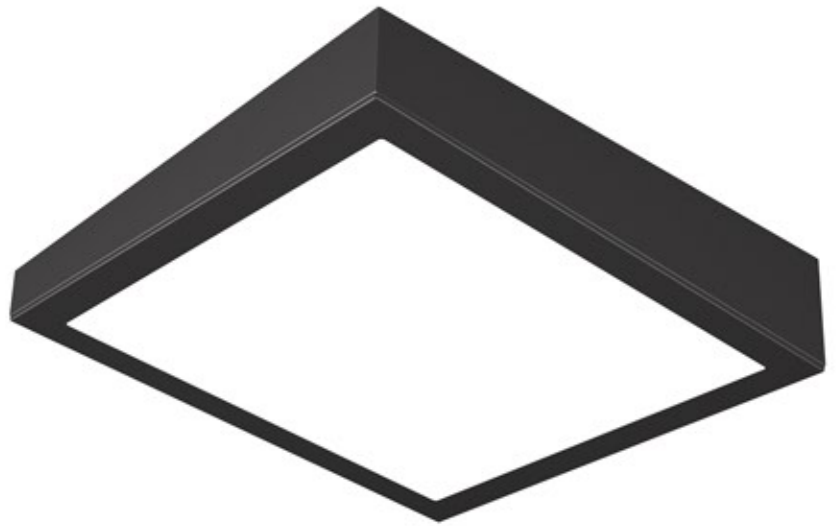
-25 ° C / + 50 ° C operating ambient temperature range


Dimension Alternatives

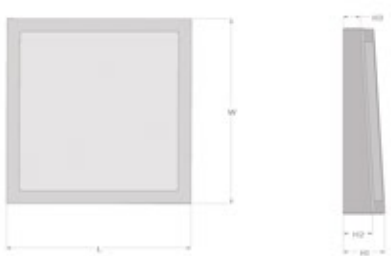
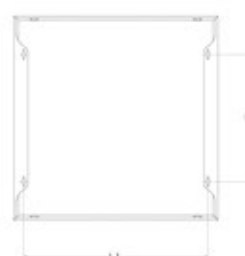

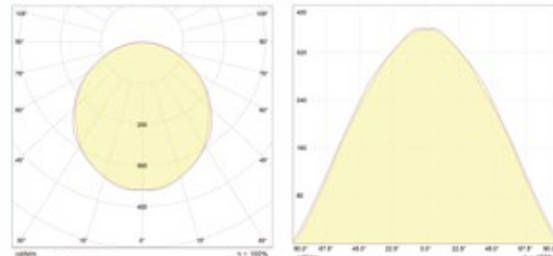
600x600 mm, 300x300 mm, 300x600 mm, 300x1200 mm , 600x1200 mm

Optional & Additional Features

- ▶ DALI Driver Compatible
- ▶ Dimmable with DIMM Moduls
- ▶ Emergency Lighting Kit (1-3 hours)
- ▶ OKVO Smart Applications



Multi-CCT Technology	Product Benefits	Areas Of Application
 <p>Three CCT options in the one product by user controlled</p>	<ul style="list-style-type: none"> ▶ Energy savings of up to 50 % compared to conventional luminaires ▶ High luminous efficiency, very homogeneous light ▶ No IR or UV radiation ▶ Long lifetime and low maintenance costs ▶ Easy and quick installation, ▶ Compatible with the latest lighting control technology. 	<ul style="list-style-type: none"> ▶ Architectural Indoor Lightings, ▶ Offices, Corridors, Meeting Rooms, ▶ Schools, Hotels and Hospitals, ▶ Retails and Shopping Centers, ▶ Conference and Ballrooms, ▶ Enterances and Livingrooms

Dimensions	Mounting Hole Sizes	Weight	Photometric Diagrams
 <p>LxW: 600x600 mm H1xH2xH3: 135x100x65 mm</p>	 <p>L1 x W1 = 540 x 375 mm</p>	 <p>5kg</p>	

Product Series	Product Model	Product Code	Color Temperature	Lumen	CRI	PFC(λ)	Power	Voltage	Lifetime	Dimensions	Warranty	
SLOPY SERIES	BRONZE	AXP.SLP.0606.***.SFC.BNZ	3000 K 4500 K 6500 K	3300 lm	Ra > 80	>0.92	33 W	220-240 V @50-60 Hz	50,000 h	600x600	2 Years	
	TITANIUM	AXP.SLP.0606.***.SFC.TNM	3000 K 4500 K 6500 K	3400 lm	Ra > 85	>0.92				135x100x65 mm		3 Years
	SILVER	AXP.SLP.0606.***.SFC.SLV		3500lm	Ra > 80	>0.92	33 W	220-240 V @50-60 Hz	50,000 h	600x600	3 Years	
	GOLD	AXP.SLP.0606.***.SFC.GLD		3600 lm	Ra > 85	>0.92				135x100x65 mm		3 Years
	PLATINIUM	AXP.SLP.0606.***.SFC.PLT		3600 lm	Ra > 85	>0.95				135x100x65 mm		3 Years

*** 2D Patterns: LEAKY - PIXY - MESHY - VINDER - TWINKLE - FI - CI

*** 3D Patterns: FOSTERY - FOSTERO - EAVES - SPARKY - CROWN - RIGIDY - SENSE

For more information on other models, www.okvolight.com



ASYMMETRICAL LINEAR USAGE | SLOPY



SYMMETRICAL MODULAR USAGE | SLOPY



ASYMMETRICAL MODULAR USAGE | SLOPY

okvolight®

Mimarsinan Organize Sanayi Bölgesi
Kastim Cad. No:22/B Kayseri / TURKEY
T : +90 352 228 00 28
F : +90 352 228 00 29

© 2018, Okvolight. All rights reserved.

We reserve the right to change specifications, product descriptions, product quality, pricing and application at any time without prior written or oral notice.