

okvolight®

Technology Inside



INTEGRITY SERIES

➤ **CLEAN ROOM**
PANEL LUMINAIRES

CLEAN ROOM LED PANEL

Products Features

Mounting Type

LAY-ON, Flush and Surface Mounted

Body

Ingress Protected Housing, electrostatic powder coated DKP sheet.

Diffuser

Opal diffuser with prismatic surface, providing homogeneous light

Glass

Tempered clear glass.

LED

≥50,000 h lifetime, high efficiency and high color quality index.

Color Temperature

Cool White, Natural White, Warm White and 3in1 CCT options

Driver

Constant current LED driver with high efficiency,

Operating Temperature

-25 ° C / + 50 ° C operating ambient temperature range

Dimension Alternatives

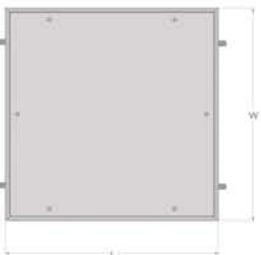


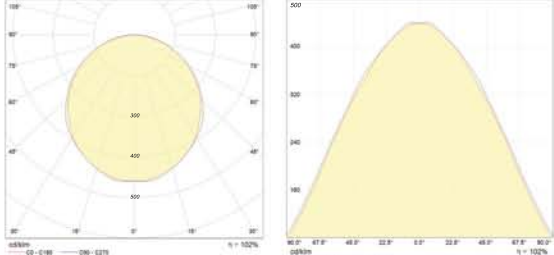
600x600 mm, 300x300 mm, 300x600 mm, 300x1200 mm , 600x1200 mm

Optional & Additional Features

- ▶ DALI Driver Compatible
- ▶ Dimmable with DIMM Moduls
- ▶ Emergency Lighting Kit (1-3 hours)
- ▶ OKVO Smart Applications



Multi-CCT Technology	Product Benefits	Areas Of Application
 <p>Three CCT options in the one product by user controlled</p>	<ul style="list-style-type: none"> ▶ Excellent functional cleanroom performance, ▶ High protection against dust and water. (IP65), ▶ Energy savings of up to 50 % compared to conventional luminaires, ▶ Easy and quick installation, ▶ Long lifetime and low maintenance costs, ▶ High luminous efficiency, very homogeneous light, ▶ Excellent quality of light with high color rendering, ▶ No IR or UV radiation, ▶ Compatible with the latest lighting control technology 	<ul style="list-style-type: none"> ▶ Sterilized indoor areas ▶ Hospitals and Healthcare premises ▶ Laboratories and Cleanrooms ▶ Food industry and Kitchens ▶ Premises with hygiene requirements

Dimensions	Mounting Hole Sizes	Weight	Photometric Diagrams
 <p>LxWxH: 595x595x110 mm</p>	 <p>L1 x W1 = 576 x 576 mm</p>	 <p>8,5kg</p>	

Product Series	Product Model	Product Code	Color Temperature	Lumen	CRI	PFC(λ)	Power	Voltage	Lifetime	Dimensions	Warranty
INTEGRY SERIES	BRONZE	AXP.INT.0606.BSC.***BNZ	3000 K 4500 K 6500 K	4400 lm	Ra > 80	>0.92	48 W	220-240 V @50-60 Hz	50.000 h	595x595x110 mm	2 Years
	TITANIUM	AXP.INT.0606.BSC.***TNM	3000 K 4500 K 6500 K	4500 lm	Ra > 85	>0.92	48 W	220-240 V @50-60 Hz	50.000 h	595x595x110 mm	3 Years
	SILVER	AXP.INT.0606.BSC.***SLV	4500 K	4600 lm	Ra > 80	>0.92	48 W	220-240 V @50-60 Hz	50.000 h	595x595x110 mm	2 Years
	GOLD	AXP.INT.0606.BSC.***GLD	6500 K	4800 lm	Ra > 85	>0.92	48 W	220-240 V @50-60 Hz	50.000 h	595x595x110 mm	3 Years
	PLATINIUM	AXP.INT.0606.BSC.***PLT	4500 K 6500 K	4800 lm	Ra > 85	>0.95	48 W	220-240 V @50-60 Hz	50.000 h	595x595x110 mm	3 Years

*** Mounting Alternatives: LAY-ON, FLUSH, SURFACE MOUNTED

For more information on other models, www.okvolight.com



Operating Rooms



Patient Rooms

okvolight®

Mimarsinan Organize Sanayi Bölgesi
Kastim Cad. No:22/B Kayseri / TURKEY
T : +90 352 228 00 28
F : +90 352 228 00 29

© 2018, Okvolight. All rights reserved.

We reserve the right to change specifications, product descriptions, product quality, pricing and application at any time without prior written or oral notice.