

okvolight®

Technology Inside



FLATY SERIES

➤ **BASIC PANEL**
LUMINAIRES



LED
LIGHTING
SOLUTIONS

LAY-ON MOUNTED LED PANEL

Products Features

Mounting Type

LAY-ON Mounted on Suspended Ceiling

Body

Electrostatic powder coated DKP sheet.

Diffuser

Opal diffuser with prismatic surface, providing homogeneous light

LED

≥50,000 h lifetime, high efficiency and high color quality index.

Color Temperature

Cool White, Natural White, Warm White and 3in1 CCT options

Driver

Constant current LED driver with high efficiency,

Operating Temperature

-25 ° C / + 50 ° C operating ambient temperature range

Dimension Alternatives

600x600 mm, 300x300 mm, 300x600 mm, 300x1200 mm , 600x1200 mm

Optional & Additional Features

- ▶ DALI Driver Compatible
- ▶ Dimmable with DIMM Moduls
- ▶ Emergency Lighting Kit (1 -3 hours)
- ▶ OKVO Smart Applications



Body Color RAL 9016 RAL 9006



Multi-CCT Technology	Product Benefits	Areas Of Application
<p>Three CCT options in the one product by user controlled</p>	<ul style="list-style-type: none"> ▶ Energy savings of up to 50 % compared to conventional luminaires ▶ High luminous efficiency, very homogeneous light ▶ No IR or UV radiation ▶ Long lifetime and low maintenance costs ▶ Easy and quick installation, ▶ Compatible with the latest lighting control technology. 	<ul style="list-style-type: none"> ▶ Offices, Corridors, Meeting Rooms, ▶ Schools, Hotels and Hospitals, ▶ Retails and Shopping Centers, ▶ Conference and Ballrooms, ▶ Enterances and Livingrooms, ▶ Modular Constructions

Dimensions	Mounting Hole Sizes	Weight	Photometric Diagrams
<p>LxWxH: 595x595x60 mm</p>	<p>L1 x w1 = 576 x 576 mm</p>	<p>3.3kg</p>	

Product Series	Product Model	Product Code	Color Temperature	Lumen	CRI	PFC(λ)	Power	Voltage	Lifetime	Dimensions	Warranty
FLATY LAY-ON MOUNTED	BRONZE	AXP.FLT.0606.BSCLYN.BNZ	3000 K 4500 K 6500 K	3300 lm	Ra> 80	>0.92	33 W	220-240 V @50-60 Hz	50.000 h	595x595x60 mm	2 Years
	TITANIUM	AXP.FLT.0606.BSCLYN.TNM	3000 K 4500 K 6500 K	3400 lm	Ra> 85	>0.92					3 Years
	SILVER	AXP.FLT.0606.BSCLYN.SLV		3500lm	Ra> 80	>0.92					2 Years
	GOLD	AXP.FLT.0606.BSCLYN.GLD		3600 lm	Ra> 85	>0.92	33 W	220-240 V @50-60 Hz	50.000 h	595x595x60 mm	3 Years
	PLATINIUM	AXP.FLT.0606.BSCLYN.PLT		3600 lm	Ra> 85	>0.95					3 Years

For more information on other models, www.okvolight.com

CLIP-IN MOUNTED LED PANEL

Products Features

Mounting Type

CLIP-IN Mounted on Suspended Ceiling

Body

Electrostatic powder coated DKP sheet.

Diffuser

Opal diffuser with prismatic surface, providing homogeneous light

LED

≥50,000 h lifetime, high efficiency and high color quality index.

Color Temperature

Cool White, Natural White, Warm White and 3in1 CCT options

Driver

Constant current LED driver with high efficiency,

Operating Temperature

-25 °C / + 50 °C operating ambient temperature range


Dimension Alternatives

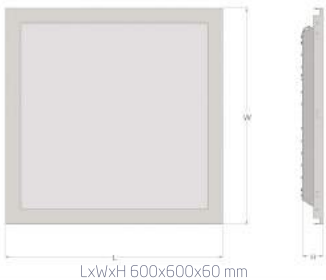
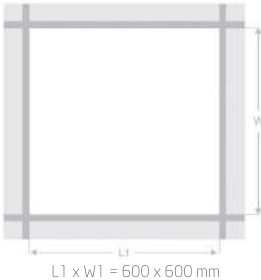

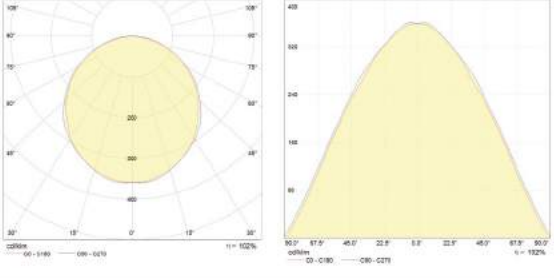
600x600 mm, 300x300 mm, 300x600 mm, 300x1200 mm , 600x1200 mm

Optional & Additional Features

- ▶ DALI Driver Compatible
- ▶ Dimmable with DIMM Moduls
- ▶ Emergency Lighting Kit (1-3 hours)
- ▶ OKVO Smart Applications



Multi-CCT Technology	Product Benefits	Areas Of Application
 <p>Three CCT options in the one product by user controlled</p>	<ul style="list-style-type: none"> ▶ Energy savings of up to 50 % compared to conventional luminaires ▶ High luminous efficiency, very homogeneous light ▶ No IR or UV radiation ▶ Long lifetime and low maintenance costs ▶ Easy and quick installation, ▶ Compatible with the latest lighting control technology. 	<ul style="list-style-type: none"> ▶ Offices, Corridors, Meeting Rooms, ▶ Schools, Hotels and Hospitals, ▶ Retails and Shopping Centers, ▶ Conference and Ballrooms, ▶ Enterances and Livingrooms, ▶ Modular Constructions

Dimensions	Mounting Hole Sizes	Weight	Photometric Diagrams
 <p>LxWxH 600x600x60 mm</p>	 <p>L1 x W1 = 600 x 600 mm</p>	 <p>3.5kg</p>	

Product Series	Product Model	Product Code	Color Temperature	Lumen	CRI	PFC(λ)	Power	Voltage	Lifetime	Dimensions	Warranty
FLATY CLIP-IN MOUNTED	BRONZE	AXP.FLT.0606.BSC.CLP.BNZ	3000 K 4500 K 6500 K	3300 lm	Ra > 80	>0.92	33 W	220-240 V @50-60 Hz	50.000 h	600x600x60 mm	2 Years
	TITANIUM	AXP.FLT.0606.BSC.CLP.TNM	3000 K 4500 K 6500 K	3400 lm	Ra > 85	>0.92					3 Years
	SILVER	AXP.FLT.0606.BSC.CLP.SLV		3500lm	Ra > 80	>0.92					2 Years
	GOLD	AXP.FLT.0606.BSC.CLP.GLD		3600 lm	Ra > 85	>0.92	33 W	220-240 V @50-60 Hz	50.000 h	600x600x60 mm	3 Years
	PLATINIUM	AXP.FLT.0606.BSC.CLP.PLT		3600 lm	Ra > 85	>0.95					3 Years

For more information on other models, www.okvolight.com

FLUSH MOUNTED LED PANEL

Products Features

Mounting Type

Flush Mounted on Ceiling

Body

Electrostatic powder coated DKP sheet.

Diffuser

Opal diffuser with prismatic surface, providing homogeneous light

LED

≥50,000 h lifetime, high efficiency and high color quality index.

Color Temperature

Cool White, Natural White, Warm White and 3in1 CCT options

Driver

Constant current LED driver with high efficiency,

Operating Temperature

-25 ° C / + 50 ° C operating ambient temperature range

Dimension Alternatives

600x600 mm, 300x300 mm, 300x600 mm, 300x1200 mm , 600x1200 mm


Optional & Additional Features

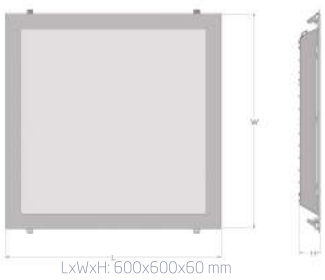


- ▶ DALI Driver Compatible
- ▶ Dimmable with DIMM Moduls
- ▶ Emergency Lighting Kit (1 -3 hours)
- ▶ OKVO Smart Applications



Body Color RAL 9016 RAL 9006



Multi-CCT Technology	Product Benefits	Areas Of Application
 <p>Three CCT options in the one product by user controlled</p>	<ul style="list-style-type: none"> ▶ Energy savings of up to 50 % compared to conventional luminaires ▶ High luminous efficiency, very homogeneous light ▶ No IR or UV radiation ▶ Long lifetime and low maintenance costs ▶ Easy and quick installation, ▶ Compatible with the latest lighting control technology. 	<ul style="list-style-type: none"> ▶ Offices, Corridors, Meeting Rooms, ▶ Schools, Hotels and Hospitals, ▶ Retails and Shopping Centers, ▶ Conference and Ballrooms, ▶ Entrances and Livingrooms, ▶ Modular Constructions

Dimensions	Mounting Hole Sizes	Weight	Photometric Diagrams
 <p>LxWxH: 600x600x60 mm</p>	 <p>L1 x W1 = 580x 580 mm</p>	 <p>3.6kg</p>	

Product Series	Product Model	Product Code	Color Temperature	Lumen	CRI	PFC(λ)	Power	Voltage	Lifetime	Dimensions	Warranty
FLATY FLUSH MOUNTED	BRONZE	AXP.FLT.0606.BSC.FLH.BNZ	3000 K 4500 K 6500 K	3300 lm	Ra > 80	>0.92	33 W	220-240 V @50-60 Hz	50.000 h	600x600x60 mm	2 Years
	TITANIUM	AXP.FLT.0606.BSC.FLH.TNM	3000 K 4500 K 6500 K	3400 lm	Ra > 85	>0.92					3 Years
	SILVER	AXP.FLT.0606.BSC.FLH.SLV		3500lm	Ra > 80	>0.92					2 Years
	GOLD	AXP.FLT.0606.BSC.FLH.GLD		3600 lm	Ra > 85	>0.92	33 W	220-240 V @50-60 Hz	50.000 h	600x600x60 mm	3 Years
	PLATINIUM	AXP.FLT.0606.BSC.FLH.PLT		3600 lm	Ra > 85	>0.95					3 Years

For more information on other models, www.okvolight.com

SURFACE MOUNTED LED PANEL

Products Features

Mounting Type

Surface Mounted on Ceiling

Body

Electrostatic powder coated DKP sheet.

Diffuser

Opal diffuser with prismatic surface, providing homogeneous light

LED

>50,000 h lifetime, high efficiency and high color quality index.

Color Temperature

Cool White, Natural White, Warm White and 3in1 CCT options

Driver

Constant current LED driver with high efficiency,

Operating Temperature

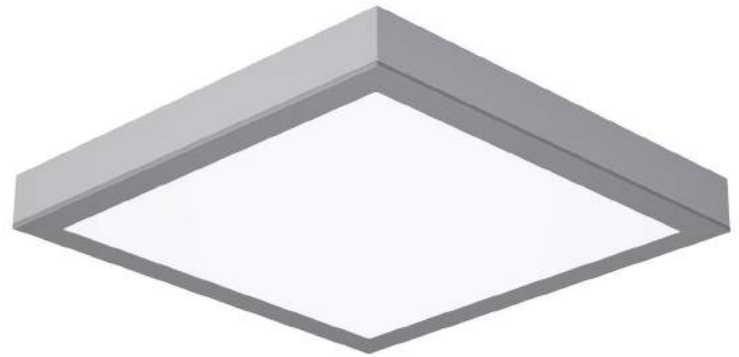
-25 ° C / + 50 ° C operating ambient temperature range


Dimension Alternatives

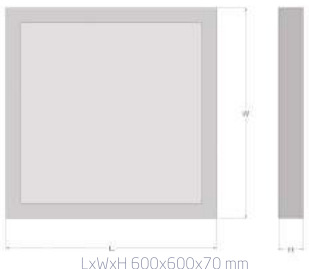
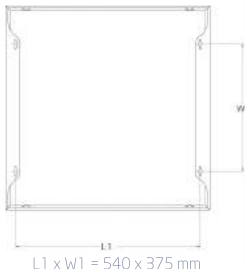

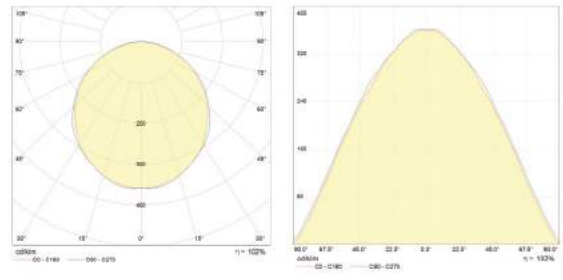
600x600 mm, 300x300 mm, 300x600 mm, 300x1200 mm , 600x1200 mm

Optional & Additional Features

- ▶ DALI Driver Compatible
- ▶ Dimmable with DIMM Moduls
- ▶ Emergency Lighting Kit (1-3 hours)
- ▶ OKVO Smart Applications



Multi-CCT Technology	Product Benefits	Areas Of Application
 <p>Three CCT options in the one product by user controlled</p>	<ul style="list-style-type: none"> ▶ Energy savings of up to 50 % compared to conventional luminaires ▶ High luminous efficiency, very homogeneous light ▶ No IR or UV radiation ▶ Long lifetime and low maintenance costs ▶ Easy and quick installation, ▶ Compatible with the latest lighting control technology. 	<ul style="list-style-type: none"> ▶ Offices, Corridors, Meeting Rooms, ▶ Schools, Hotels and Hospitals, ▶ Retails and Shopping Centers, ▶ Conference and Ballrooms, ▶ Enterances and Livingrooms, ▶ Modular Constructions

Dimensions	Mounting Hole Sizes	Weight	Photometric Diagrams
 <p>LxWxH 600x600x70 mm</p>	 <p>L1 x W1 = 540 x 375 mm</p>	 <p>4.5kg</p>	

Product Series	Product Model	Product Code	Color Temperature	Lumen	CRI	PFC(λ)	Power	Voltage	Lifetime	Dimensions	Warranty
FLATY SURFACE MOUNTED	BRONZE	AXP.FLT.0606.BSC.SFC.BNZ	3000 K 4500 K 6500 K	3300 lm	Ra > 80	>0.92	33 W	220-240 V @50-60 Hz	50.000 h	600x600x70 mm	2 Years
	TITANIUM	AXP.FLT.0606.BSC.SFC.TNM	3000 K 4500 K 6500 K	3400 lm	Ra > 85	>0.92					3 Years
	SILVER	AXP.FLT.0606.BSC.SFC.SLV		3500lm	Ra > 80	>0.92					2 Years
	GOLD	AXP.FLT.0606.BSC.SFC.GLD		3600 lm	Ra > 85	>0.92	33 W	220-240 V @50-60 Hz	50.000 h	600x600x70 mm	3 Years
	PLATINIUM	AXP.FLT.0606.BSC.SFC.PLT		3600 lm	Ra > 85	>0.95					3 Years

For more information on other models, www.okvolight.com



Multi-CCT Technology

Led Lighting For All Moods

It's time to change because conventional incandescent lamps are thing of the past with the modern OKVOLIGHT LED Lamps from Kaftan Technology, You can create the atmosphere and mood what the aura needs or users want.



okvolight®

Mimarsinan Organize Sanayi Bölgesi
Kastim Cad. No:22/B Kayseri / TURKEY
T : +90 352 228 00 28
F : +90 352 228 00 29
www.okvolight.com

© 2018, Okvolight. All rights reserved.

We reserve the right to change specifications, product descriptions, product quality, pricing and application at any time without prior written or oral notice.