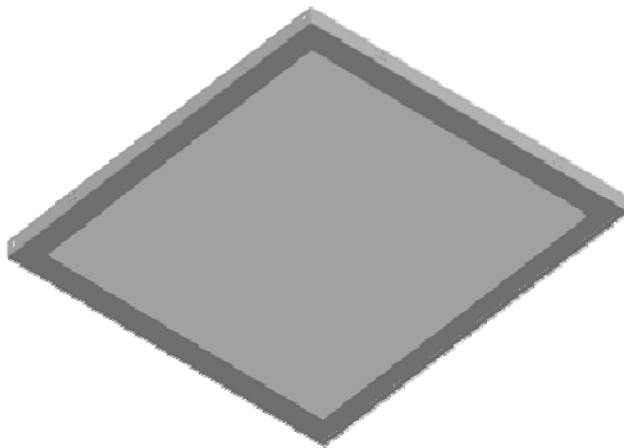


BACKLIGHT-PLATINUM/GOLD-LAY ON-6060-196x2 LED

Backlight Series | Flaty LED lamps



Areas of application

- Offices, retail outlets and conference rooms
- Corridors
- Living rooms
- Schools
- Hospitals

Products benefits

- The possibility of using three white colors in the same product
- Quick , simple and safe replacement without rewiring
- Low maintenance costs thanks to long lifetime
- Instant-on light , therefore ideally suitable in combination with sensor technology
- Correct operation even at low temperature

Product features

- Design: Ceiling LED luminaires with metal frame in high value design
- Color Temperature: 2700 - 3000 K (Warm White), 4000 - 4750 K (Natural White) or 6500-7000 K (Cool White)
- Mounting Type: Lay-on mounting
- Type Of Protection: IP40
- Lifetime: up to 30,000h (PLT) , up to 20,000h (GLD)
- Warranty Time: 3 Years(PLT), 2 Years(GLD)
- Color Rendering Index Ra: > 80



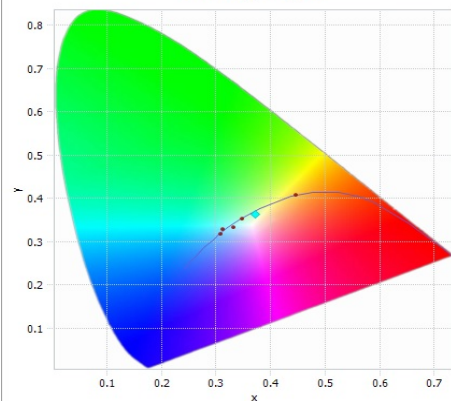
Technical Data

Electrical Data

Nominal input wattage (AC)	33 W
Lamp output wattage (DC)	28.7 W
Nominal input voltage	220 V AC
Nominal input frequency	50/60 Hz
Nominal input current	0.15 A
Driver efficiency	85-90 %
LED forward current	50 mA
Power Factor λ	≥ 0.90
Output current tolerance	$\pm 5 \%$

Chromaticity Diagram

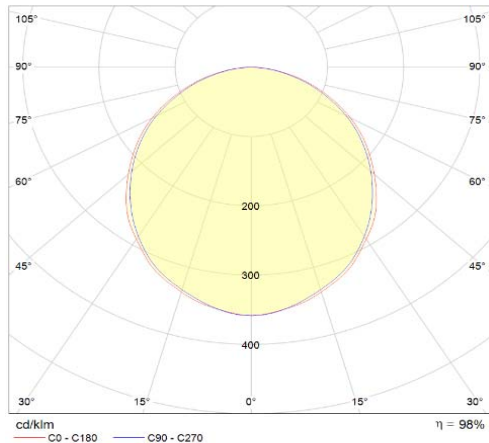
CIE 1931, 2 Degree



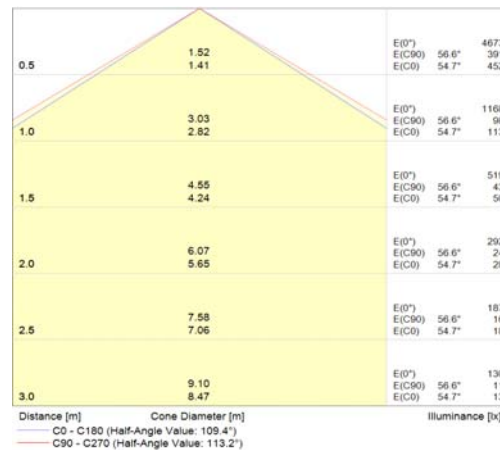
Chromatic Diagram(NW)

Photometrical Data

Color temperature	2700 - 3300 K	4000 - 4750 K	6500 - 7000 K
Luminous flux	2900 - 3000 lm	3200 - 3400 lm	3150 - 3250 lm
Light color (Destination)	WW	NW	CW
Color rendering index Ra	> 80 - 85	> 85 - 90	> 82 - 87



Polar Graph for Natural White Color



Conic Graph for Natural White Color

Light Technical Data

Beam angle	Extremely wide distribution, 120°
Light distribution	Symmetric



Temperatures

Operating Temperature	-20...+50 °C
Storage Temperature	-30 / +60

Materials

Body material	Sheet Metal
Body color	Ral 9016 bright
Cover material	Sheet Metal
Cover color	Ral 9016 texture matte

Capabilities

Type of connection	Cable & connector
Color change	3 in 1 manuel
DALI control	Optional
Dimmable	Optional
Emergency lighting kit	Optional

Additional product data

Diffuser material	Polystyrene
Diffuser efficiency	80%-86%
Diffuser type	Single ragged surface

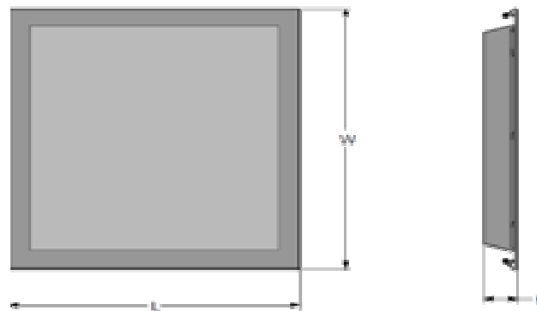
Certificates & Standarts

IEC Protection class	Class I
Ingress Protection Rating	IP40
Standarts	TS EN 60598-2-2 , TS EN 60598-1 , TS EN 62471 , TS EN 13032-1 , TS EN 62031
Certificates	CE , TSE



Dimensions & Weight

Length (L)	595 mm
Width (W)	595 mm
Height (H)	60 mm
Product weight	3.3 kg
Mounting hole length (L1)	576 mm
Mounting hole width (W1)	576 mm
Mounting type	Recessed mounting



Logistical data

Product code	Product description	Single Packaging Dimensions (L x W x H)	Single Packaging Volume (dm3)	Single Packaging Gross Weight	Multi Packaging unit	Multi Packaging Dimensions (L x W x H)	Multi Packaging Volume (dm3)	Multi Packaging Gross Weight
	LAY-ON 60x60	620x620x90 mm	10,8	4,2 kg	30 pcs	80x120x136 cm	1349,12	127,1 kg

The mentioned product code describes the smallest quantity unit which can be ordered. One shipping unit can contain one or more single products. When placing an order, for the quantity please enter single or multiples of a shipping unit.

References / Links

Driver OSRAM
 -Osram Driver Datasheet
 Driver Eaglerise
 -Eaglerise Driver Datasheet



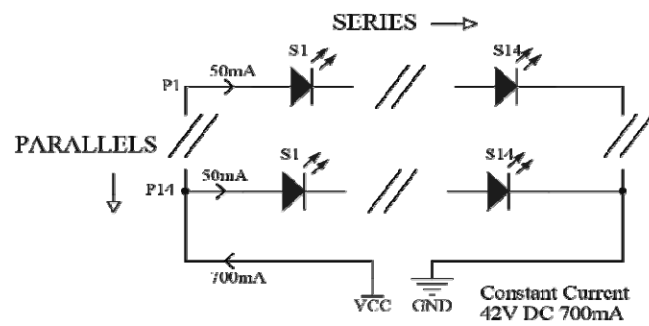
info@okvolight.com

Disclaimer

Subject to change without notice. Errors and omission excepted. Always make sure to use the most recent release.

PCB data

Material	FR4 single layer
Material thickness	1.2 mm
Copper road thickness	25 μ m
Schematic design	

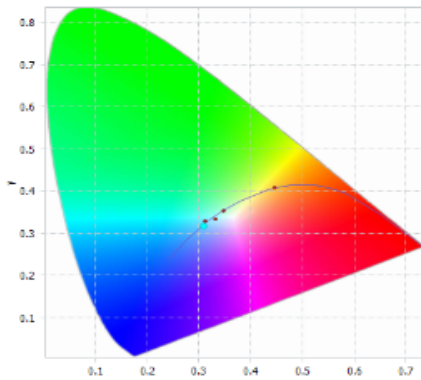


Spectrometrical data

a.Warm White Platinum

Chromaticity Diagram

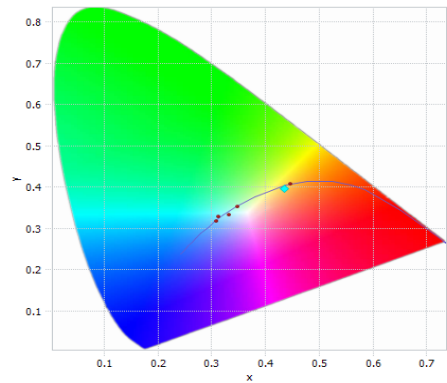
CIE 1931, 2 Degree



a.Warm White Gold

Chromaticity Diagram

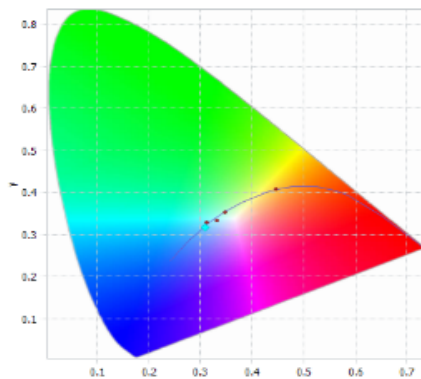
CIE 1931, 2 Degree



b.Naturel White Platinum

Chromaticity Diagram

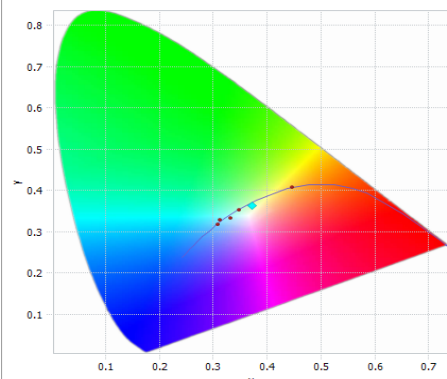
CIE 1931, 2 Degree



b.Naturel White Gold

Chromaticity Diagram

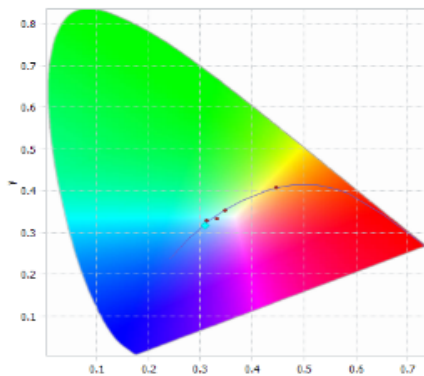
CIE 1931, 2 Degree



c.Cool White Platinum

Chromaticity Diagram

CIE 1931, 2 Degree



c.Cool White Gold

Chromaticity Diagram

CIE 1931, 2 Degree

