

okvolight®

Technology Inside



GRAPHY SERIES

► 2D DECORATIVE
PANEL LUMINAIRES

GRAPHY LEAKY LED PANEL

Products Features

Mounting Type

LAY-ON, CLIP-IN, FLUSH or SURFACE Mounted

Body

2D Decorative Cover Design, electrostatic powder coated DKP sheet.

Diffuser

Opal diffuser with prismatic surface, providing homogeneous light

LED

≥50,000 h lifetime, high efficiency and high color quality index.

Color Temperature

Cool White, Natural White, Warm White and 3in1 CCT options

Driver

Constant current LED driver with high efficiency,

Operating Temperature

-25 °C / + 50 °C operating ambient temperature range


Dimension Alternatives

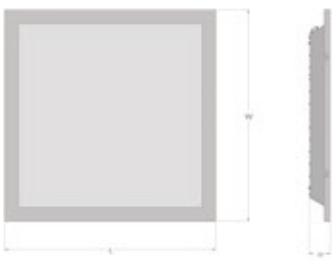
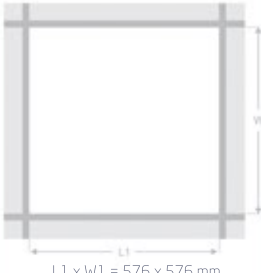

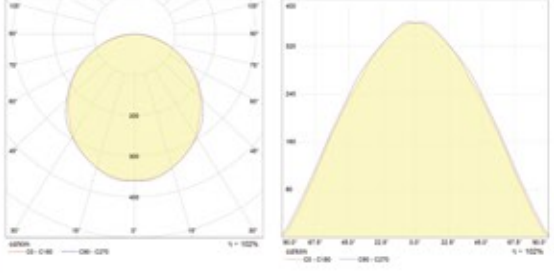
600x600 mm, 300x300 mm, 300x600 mm, 300x1200 mm , 600x1200 mm


Optional & Additional Features

- ▶ Optional Front Face Model Design
- ▶ DALI Driver Compatible
- ▶ Dimmable with DIMM Moduls
- ▶ Emergency Lighting Kit (1-3 hours)
- ▶ OKVO Smart Applications



| Multi-CCT Technology | Product Benefits | Areas Of Application |
|--|---|--|
|  <p>Three CCT options in the one product by user controlled</p> | <ul style="list-style-type: none"> ▶ Energy savings of up to 50 % compared to conventional luminaires ▶ High luminous efficiency, very homogeneous light ▶ No IR or UV radiation ▶ Long lifetime and low maintenance costs ▶ Easy and quick installation, ▶ Compatible with the latest lighting control technology. | <ul style="list-style-type: none"> ▶ Architectural Indoor Lighting, ▶ Offices, Corridors, Meeting Rooms, ▶ Schools, Hotels and Hospitals, ▶ Retails and Shopping Centers, ▶ Conference and Ballrooms, ▶ Enterances and Livingrooms |

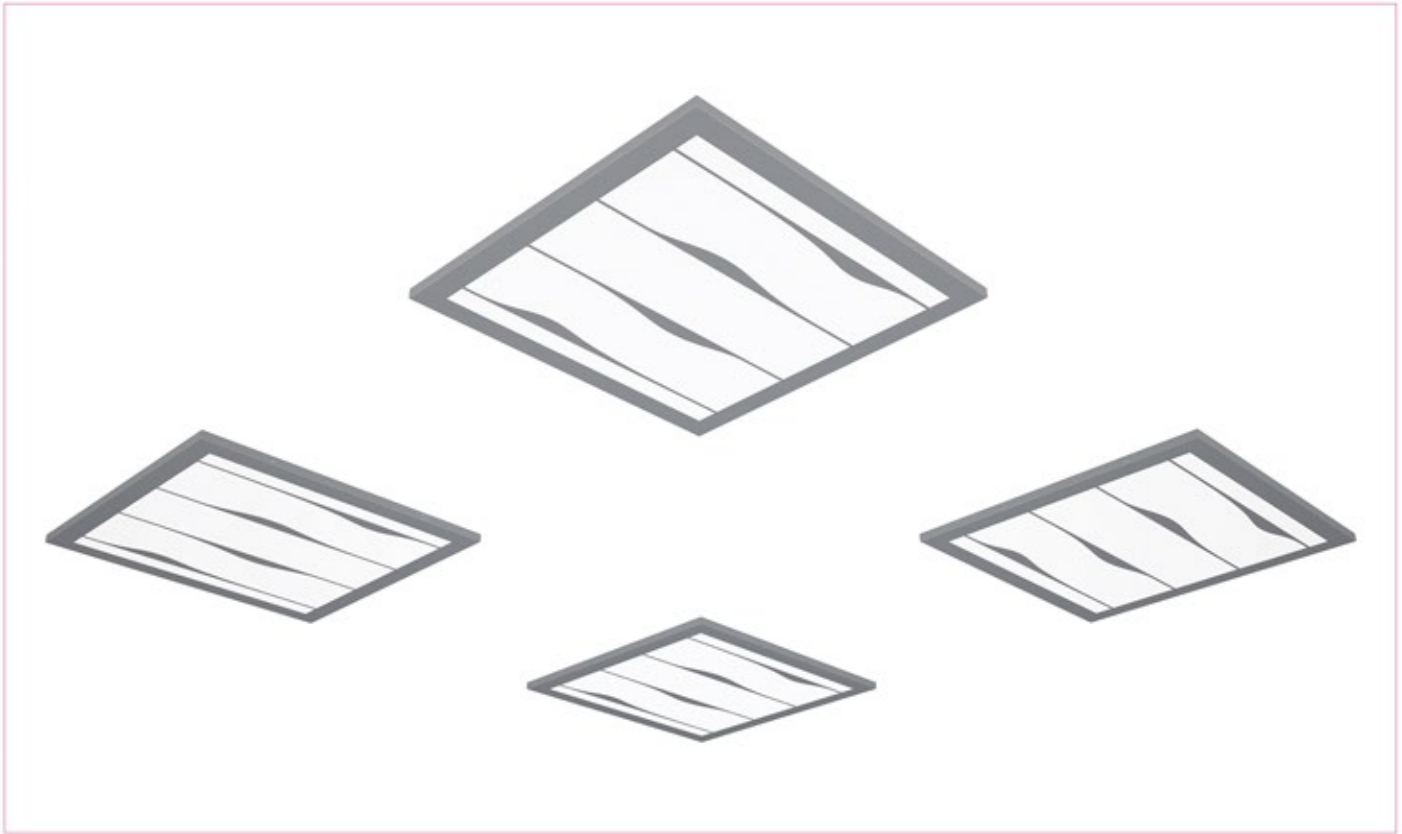
| Dimensions | Mounting Hole Sizes | Weight | Photometric Diagrams |
|---|---|--|--|
|  <p>LxWxH: 595x595x60 mm</p> |  <p>L1 x W1 = 576 x 576 mm</p> |  <p>3.5kg</p> |  |

| Product Series | Product Model | Product Code | Color Temperature | Lumen | CRI | PFC(λ) | Power | Voltage | Lifetime | Dimensions | Warranty |
|----------------|---------------|--------------------------|---|---------|---------|--------|-------|---------------------|----------|---------------|----------|
| GRAPHY LEAKY | BRONZE | AXP.GRP.0606.LKY.***.BNZ | 3000 K 4500 K 6500 K | 3300 lm | Ra > 80 | >0.92 | 33 W | 220-240 V @50-60 Hz | 50.000 h | 600x600x60 mm | 2 Years |
| | TITANIUM | AXP.GRP.0606.LKY.***.TNM | 3000 K 4500 K 6500 K | 3400 lm | Ra > 85 | >0.92 | | | | | 3 Years |
| | SILVER | AXP.GRP.0606.LKY.***.SLV | | 3500lm | Ra > 80 | >0.92 | | | | | 2 Years |
| | GOLD | AXP.GRP.0606.LKY.***.GLD |  | 3600 lm | Ra > 85 | >0.92 | 33 W | 220-240 V @50-60 Hz | 50.000 h | 600x600x60 mm | 3 Years |
| | PLATINIUM | AXP.GRP.0606.LKY.***.PLT | | 3600 lm | Ra > 85 | >0.95 | | | | | 3 Years |

*** Mounting Alternatives: LAY-ON, CLIP-IN, FLUSH, SURFACE MOUNTED

The technical datas given in this brochure are only for Lay-On mounted products.

For more information on other models, www.okvolight.com



SINGLE USAGE | LEAKY



ALTERNATIVE USAGES | LEAKY

GRAPHY MESHY LED PANEL

Products Features

Mounting Type

LAY-ON, CLIP-IN, FLUSH or SURFACE Mounted

Body

2D Decorative Cover Design, electrostatic powder coated DKP sheet.

Diffuser

Opal diffuser with prismatic surface, providing homogeneous light

LED

≥50,000 h lifetime, high efficiency and high color quality index.

Color Temperature

Cool White, Natural White, Warm White and 3in1 CCT options

Driver

Constant current LED driver with high efficiency,

Operating Temperature

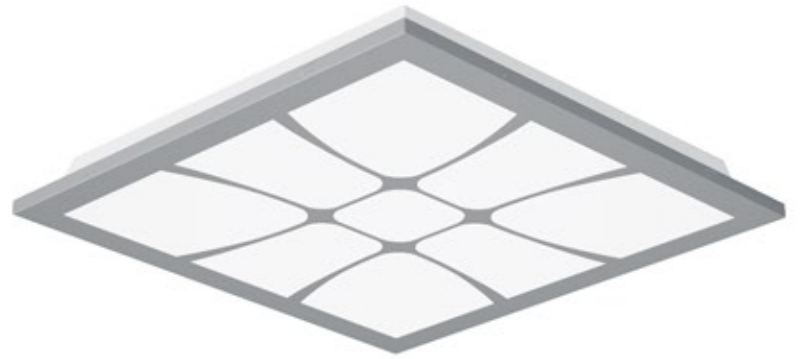
-25 °C / + 50 °C operating ambient temperature range


Dimension Alternatives

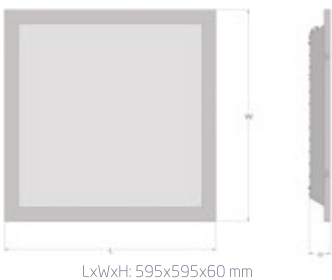
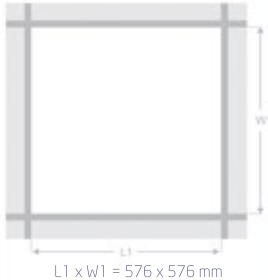

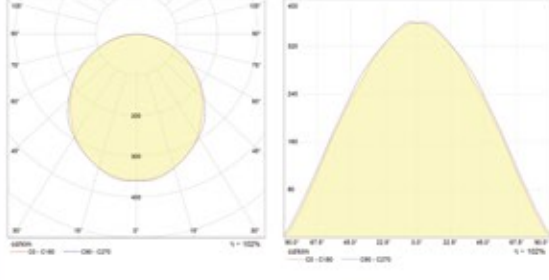
600x600 mm, 300x300 mm, 300x600 mm, 300x1200 mm , 600x1200 mm


Optional & Additional Features

- ▶ Optional Front Face Model Design
- ▶ DALI Driver Compatible
- ▶ Dimmable with DIMM Moduls
- ▶ Emergency Lighting Kit (1-3 hours)
- ▶ OKVO Smart Applications



| Multi-CCT Technology | Product Benefits | Areas Of Application |
|--|---|--|
|  <p>Three CCT options in the one product by user controlled</p> | <ul style="list-style-type: none"> ▶ Energy savings of up to 50 % compared to conventional luminaires ▶ High luminous efficiency, very homogeneous light ▶ No IR or UV radiation ▶ Long lifetime and low maintenance costs ▶ Easy and quick installation, ▶ Compatible with the latest lighting control technology. | <ul style="list-style-type: none"> ▶ Architectural Indoor Lighting, ▶ Offices, Corridors, Meeting Rooms, ▶ Schools, Hotels and Hospitals, ▶ Retails and Shopping Centers, ▶ Conference and Ballrooms, ▶ Enterances and Livingrooms |

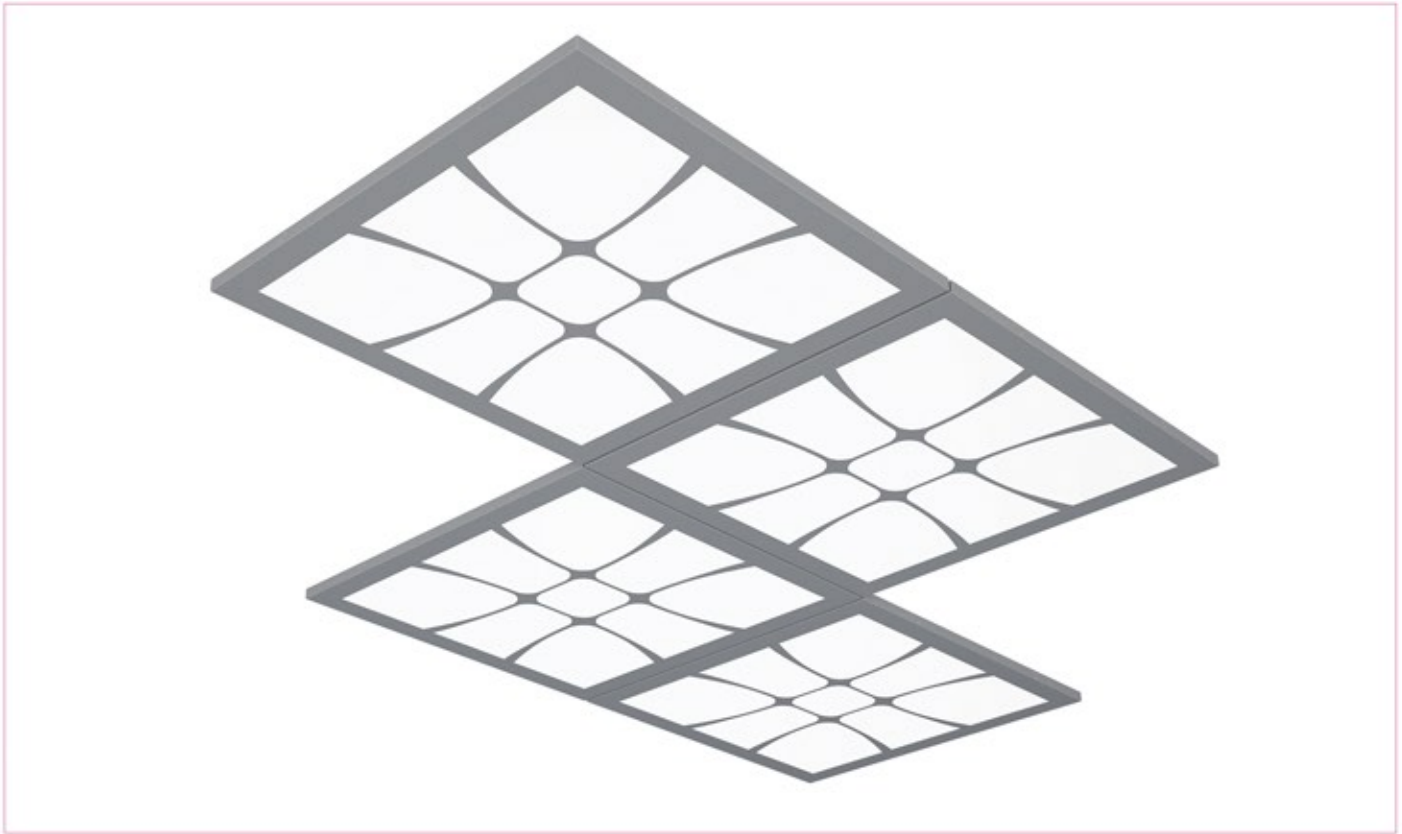
| Dimensions | Mounting Hole Sizes | Weight | Photometric Diagrams |
|---|---|--|--|
|  <p>LxWxH: 595x595x60 mm</p> |  <p>L1 x W1 = 576 x 576 mm</p> |  <p>3.5kg</p> |  |

| Product Series | Product Model | Product Code | Color Temperature | Lumen | CRI | PFC(λ) | Power | Voltage | Lifetime | Dimensions | Warranty |
|----------------|---------------|-------------------------|---|---------|--------|--------|-------|---------------------|----------|---------------|----------|
| GRAPHY MESHY | BRONZE | AXP.GRP.0606.MSY.***BNZ | 3000 K 4500 K 6500 K | 3300 lm | Ra> 80 | >0.92 | 33 W | 220-240 V @50-60 Hz | 50.000 h | 600x600x60 mm | 2 Years |
| | TITANIUM | AXP.GRP.0606.MSY.***TNM | 3000 K 4500 K 6500 K | 3400 lm | Ra> 85 | >0.92 | 33 W | 220-240 V @50-60 Hz | 50.000 h | 600x600x60 mm | 3 Years |
| | SILVER | AXP.GRP.0606.MSY.***SLV | | 3500lm | Ra> 80 | >0.92 | 33 W | 220-240 V @50-60 Hz | 50.000 h | 600x600x60 mm | 2 Years |
| | GOLD | AXP.GRP.0606.MSY.***GLD |  | 3600 lm | Ra> 85 | >0.92 | 33 W | 220-240 V @50-60 Hz | 50.000 h | 600x600x60 mm | 3 Years |
| | PLATINIUM | AXP.GRP.0606.MSY.***PLT | | 3600 lm | Ra> 85 | >0.95 | 33 W | 220-240 V @50-60 Hz | 50.000 h | 600x600x60 mm | 3 Years |

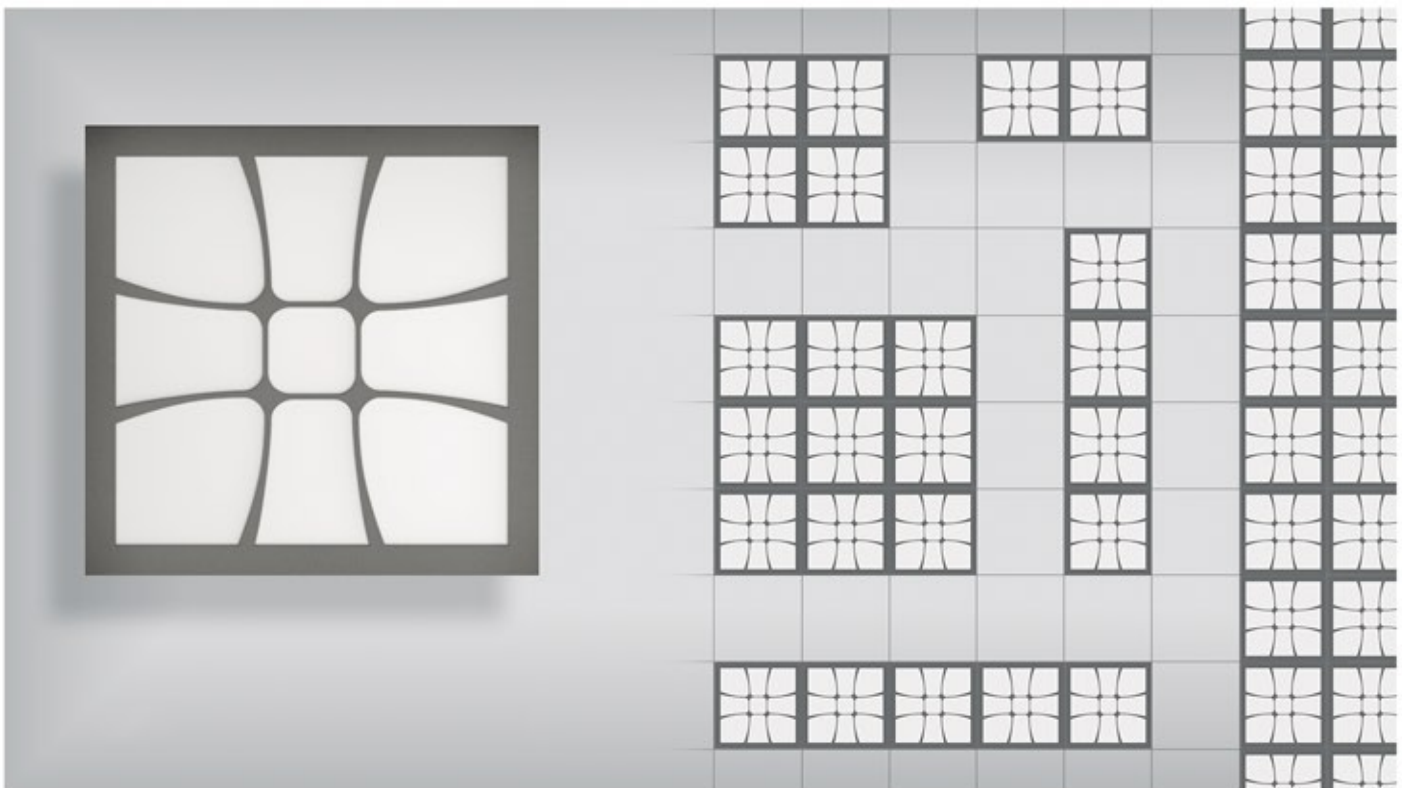
The technical datas given in this brochure are only for Lay-On mounted products.

*** Mounting Alternatives: LAY-ON, CLIP-IN, FLUSH, SURFACE MOUNTED

For more information on other models, www.okvolight.com



INTEGRATED USAGE | **MESHY**



ALTERNATIVE USAGES | **MESHY**

GRAPHY PIXY LED PANEL

Products Features

Mounting Type

LAY-ON, CLIP-IN, FLUSH or SURFACE Mounted

Body

2D Decorative Cover Design, electrostatic powder coated DKP sheet.

Diffuser

Opal diffuser with prismatic surface, providing homogeneous light

LED

≥50,000 h lifetime, high efficiency and high color quality index.

Color Temperature

Cool White, Natural White, Warm White and 3in1 CCT options

Driver

Constant current LED driver with high efficiency,

Operating Temperature

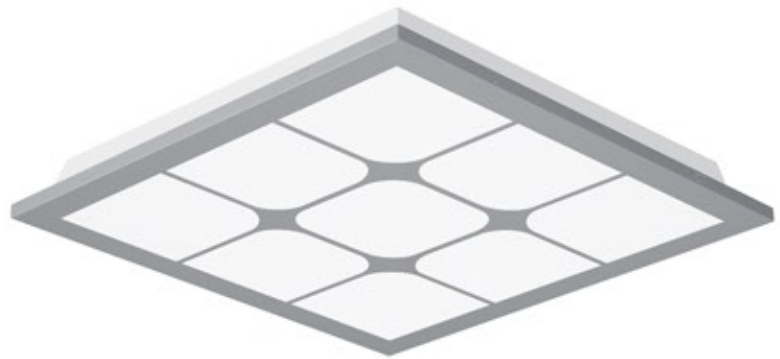
-25 °C / + 50 °C operating ambient temperature range


Dimension Alternatives

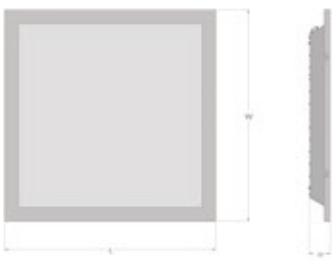
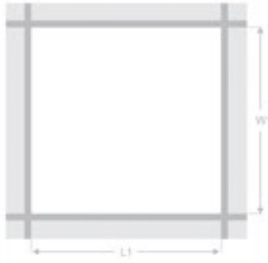

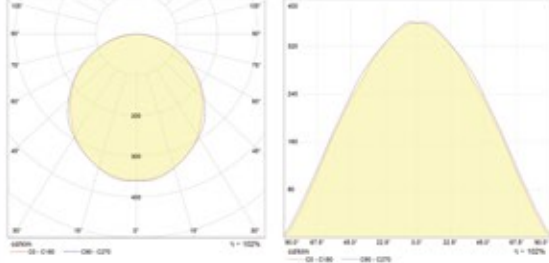
600x600 mm, 300x300 mm, 300x600 mm, 300x1200 mm , 600x1200 mm


Optional & Additional Features

- ▶ Optional Front Face Model Design
- ▶ DALI Driver Compatible
- ▶ Dimmable with DIMM Moduls
- ▶ Emergency Lighting Kit (1-3 hours)
- ▶ OKVO Smart Applications



| Multi-CCT Technology | Product Benefits | Areas Of Application |
|--|---|--|
|  <p>Three CCT options in the one product by user controlled</p> | <ul style="list-style-type: none"> ▶ Energy savings of up to 50 % compared to conventional luminaires ▶ High luminous efficiency, very homogeneous light ▶ No IR or UV radiation ▶ Long lifetime and low maintenance costs ▶ Easy and quick installation, ▶ Compatible with the latest lighting control technology. | <ul style="list-style-type: none"> ▶ Architectural Indoor Lighting, ▶ Offices, Corridors, Meeting Rooms, ▶ Schools, Hotels and Hospitals, ▶ Retails and Shopping Centers, ▶ Conference and Ballrooms, ▶ Enterances and Livingrooms |

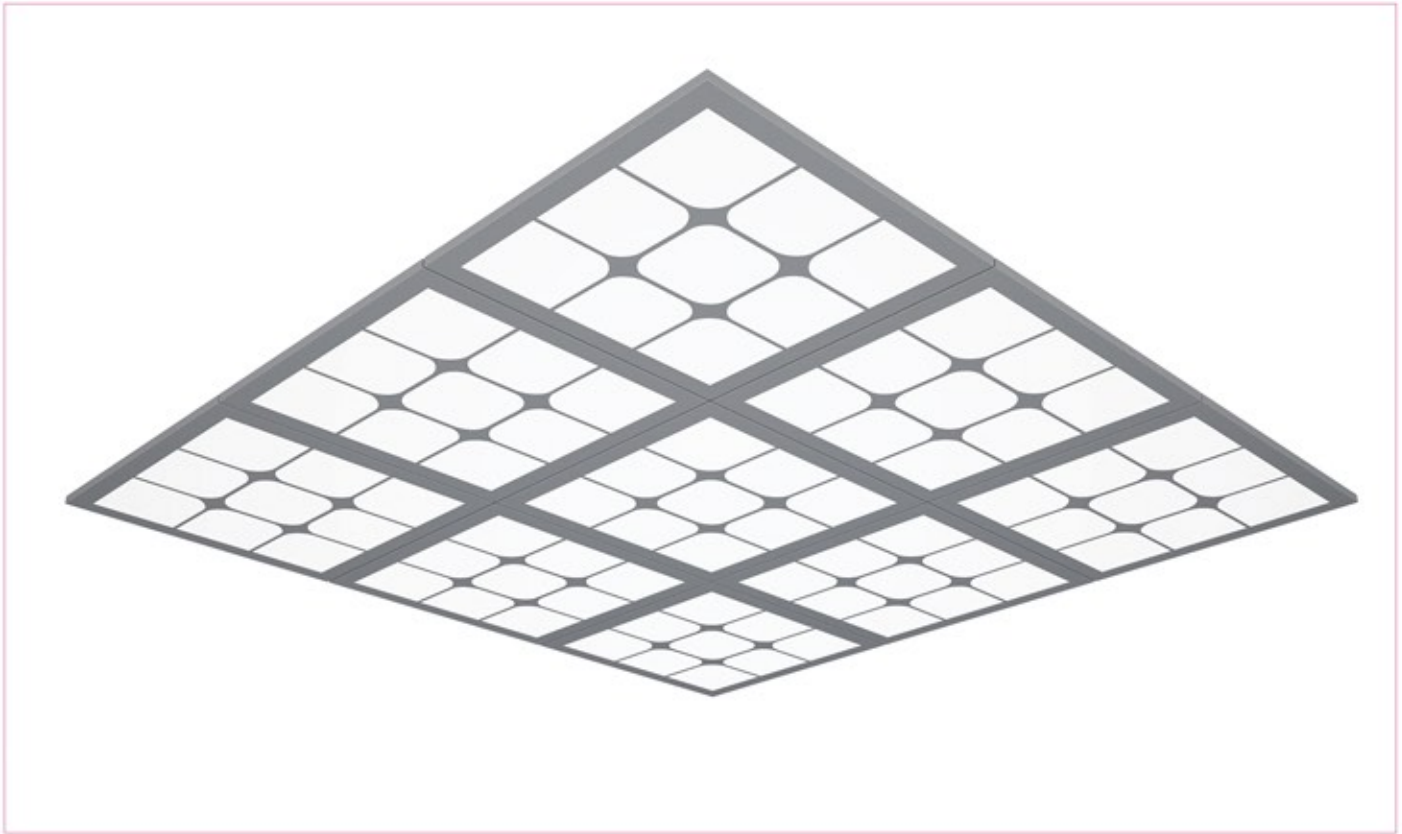
| Dimensions | Mounting Hole Sizes | Weight | Photometric Diagrams |
|---|---|--|--|
|  <p>LxWxH: 595x595x60 mm</p> |  <p>L1 x W1 = 576 x 576 mm</p> |  <p>3.5kg</p> |  |

| Product Series | Product Model | Product Code | Color Temperature | Lumen | CRI | PFC(λ) | Power | Voltage | Lifetime | Dimensions | Warranty |
|----------------|---------------|--------------------------|---|---------|--------|--------|-------|---------------------|----------|---------------|----------|
| GRAPHY PIXY | BRONZE | AXP.GRP.0606.PXY.***.BNZ | 3000 K 4500 K 6500 K | 3300 lm | Ra> 80 | >0.92 | 33 W | 220-240 V @50-60 Hz | 50.000 h | 600x600x60 mm | 2 Years |
| | TITANIUM | AXP.GRP.0606.PXY.***.TNM | 3000 K 4500 K 6500 K | 3400 lm | Ra> 85 | >0.92 | | | | | 3 Years |
| | SILVER | AXP.GRP.0606.PXY.***.SLV |  | 3500lm | Ra> 80 | >0.92 | 33 W | 220-240 V @50-60 Hz | 50.000 h | 600x600x60 mm | 2 Years |
| | GOLD | AXP.GRP.0606.PXY.***.GLD | | 3600 lm | Ra> 85 | >0.92 | | | | | 3 Years |
| | PLATINIUM | AXP.GRP.0606.PXY.***.PLT | | 3600 lm | Ra> 85 | >0.95 | | | | | 3 Years |

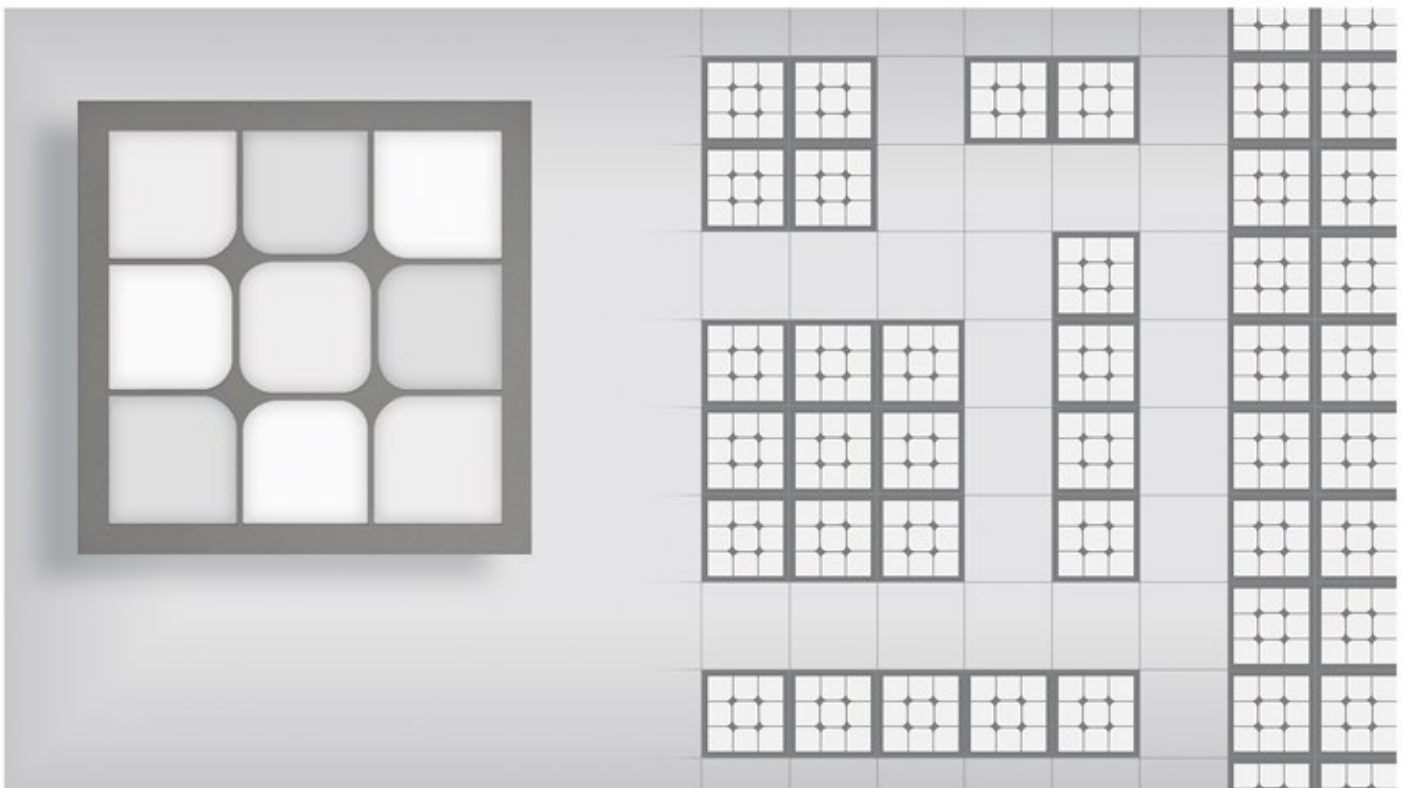
The technical datas given in this brochure are only for Lay-On mounted products.

*** Mounting Alternatives: LAY-ON, CLIP-IN, FLUSH, SURFACE MOUNTED

For more information on other models, www.okvolight.com



INTEGRATED USAGE | PIXY



ALTERNATIVE USAGES | PIXY

GRAPHY VINDER LED PANEL

Products Features

Mounting Type

LAY-ON, CLIP-IN, FLUSH or SURFACE Mounted

Body

2D Decorative Cover Design, electrostatic powder coated DKP sheet.

Diffuser

Opal diffuser with prismatic surface, providing homogeneous light

LED

≥50,000 h lifetime, high efficiency and high color quality index.

Color Temperature

Cool White, Natural White, Warm White and 3in1 CCT options

Driver

Constant current LED driver with high efficiency,

Operating Temperature

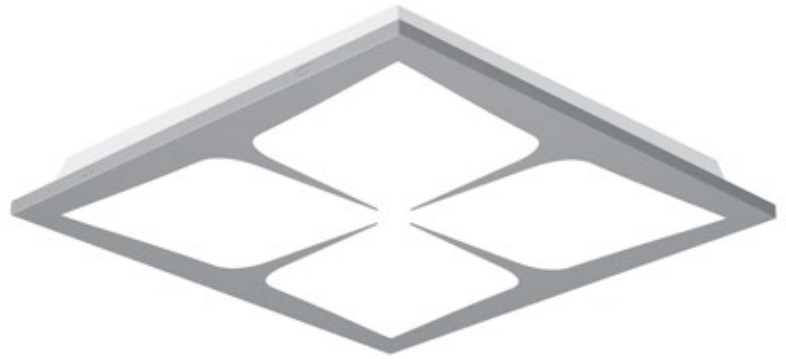
-25 °C / + 50 °C operating ambient temperature range


Dimension Alternatives

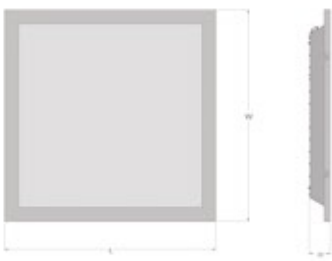
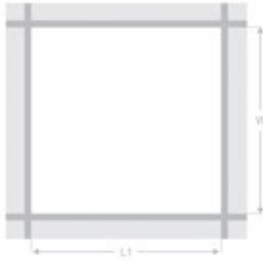

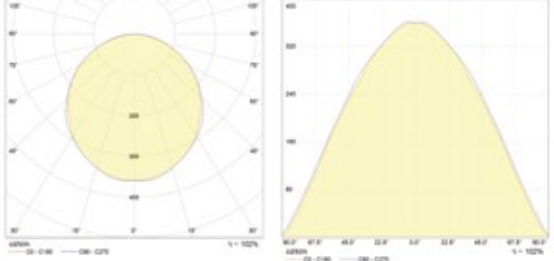
600x600 mm, 300x300 mm, 300x600 mm, 300x1200 mm , 600x1200 mm

Optional & Additional Features

- ▶ Optional Front Face Model Design
- ▶ DALI Driver Compatible
- ▶ Dimmable with DIMM Moduls
- ▶ Emergency Lighting Kit (1-3 hours)
- ▶ OKVO Smart Applications



| Multi-CCT Technology | Product Benefits | Areas Of Application |
|--|---|--|
|  <p>Three CCT options in the one product by user controlled</p> | <ul style="list-style-type: none"> ▶ Energy savings of up to 50 % compared to conventional luminaires ▶ High luminous efficiency, very homogeneous light ▶ No IR or UV radiation ▶ Long lifetime and low maintenance costs ▶ Easy and quick installation, ▶ Compatible with the latest lighting control technology. | <ul style="list-style-type: none"> ▶ Architectural Indoor Lighting, ▶ Offices, Corridors, Meeting Rooms, ▶ Schools, Hotels and Hospitals, ▶ Retails and Shopping Centers, ▶ Conference and Ballrooms, ▶ Enterances and Livingrooms |

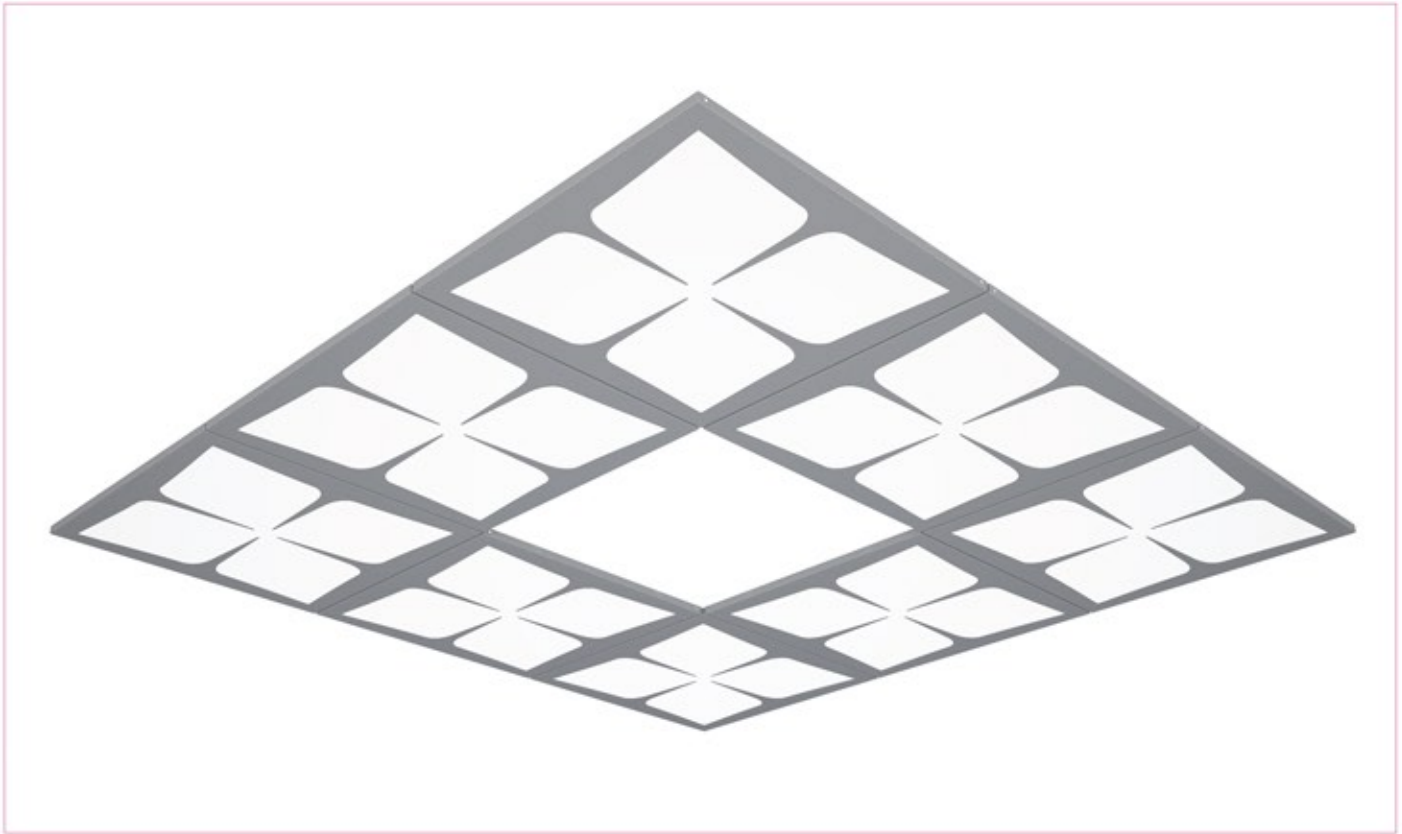
| Dimensions | Mounting Hole Sizes | Weight | Photometric Diagrams |
|---|---|--|--|
|  <p>LxWxH: 595x595x60 mm</p> |  <p>L1 x W1 = 576 x 576 mm</p> |  <p>3.5kg</p> |  |

| Product Series | Product Model | Product Code | Color Temperature | Lumen | CRI | PFC(λ) | Power | Voltage | Lifetime | Dimensions | Warranty |
|----------------|---------------|--------------------------|---|---------|---------|--------|-------|---------------------|----------|---------------|----------|
| GRAPHY VINDER | BRONZE | AXP.GRP.0606.VND.***.BNZ | 3000 K 4500 K 6500 K | 3300 lm | Ra > 80 | >0.92 | 33 W | 220-240 V @50-60 Hz | 50.000 h | 600x600x60 mm | 2 Years |
| | TITANIUM | AXP.GRP.0606.VND.***.TNM | 3000 K 4500 K 6500 K | 3400 lm | Ra > 85 | >0.92 | | | | | 3 Years |
| | SILVER | AXP.GRP.0606.VND.***.SLV |  | 3500lm | Ra > 80 | >0.92 | 33 W | 220-240 V @50-60 Hz | 50.000 h | 600x600x60 mm | 2 Years |
| | GOLD | AXP.GRP.0606.VND.***.GLD | | 3600 lm | Ra > 85 | >0.92 | | | | | 3 Years |
| | PLATINIUM | AXP.GRP.0606.VND.***.PLT | | 3600 lm | Ra > 85 | >0.95 | | | | | 3 Years |

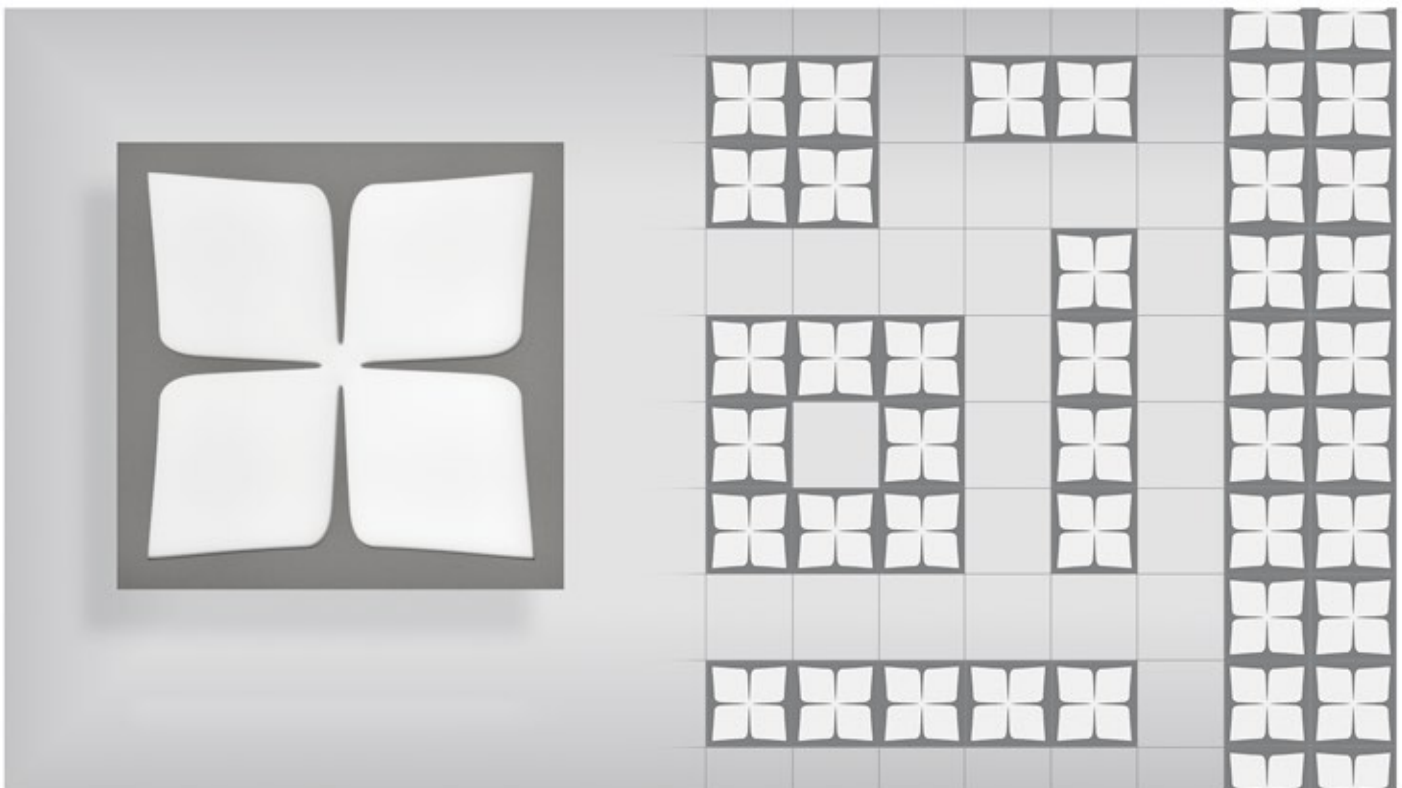
The technical datas given in this brochure are only for Lay-On mounted products.

*** Mounting Alternatives: LAY-ON, CLIP-IN, FLUSH, SURFACE MOUNTED

For more information on other models, www.okvolight.com



INTEGRATED USAGE | **VINDER**



ALTERNATIVE USAGES | **VINDER**

GRAPHY TWINKLE LED PANEL

Products Features

Mounting Type

LAY-ON, CLIP-IN, FLUSH or SURFACE Mounted

Body

2D Decorative Cover Design, electrostatic powder coated DKP sheet.

Diffuser

Opal diffuser with prismatic surface, providing homogeneous light

LED

≥50,000 h lifetime, high efficiency and high color quality index.

Color Temperature

Cool White, Natural White, Warm White and 3in1 CCT options

Driver

Constant current LED driver with high efficiency,

Operating Temperature

-25 °C / + 50 °C operating ambient temperature range


Dimension Alternatives

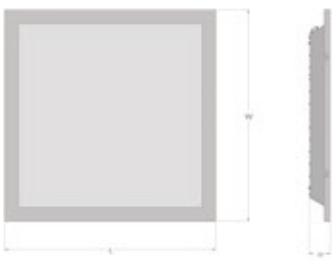
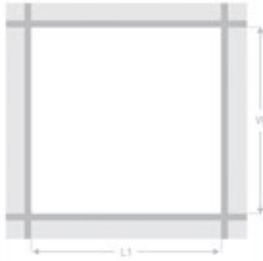

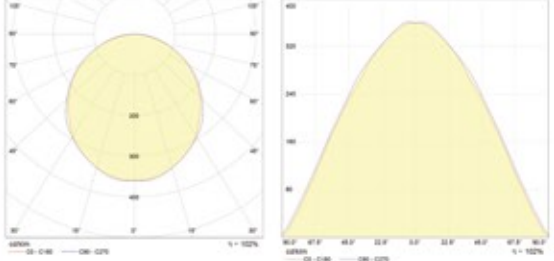
600x600 mm, 300x300 mm, 300x600 mm, 300x1200 mm , 600x1200 mm


Optional & Additional Features

- ▶ Optional Front Face Model Design
- ▶ DALI Driver Compatible
- ▶ Dimmable with DIMM Moduls
- ▶ Emergency Lighting Kit (1-3 hours)
- ▶ OKVO Smart Applications



| Multi-CCT Technology | Product Benefits | Areas Of Application |
|--|---|--|
|  <p>Three CCT options in the one product by user controlled</p> | <ul style="list-style-type: none"> ▶ Energy savings of up to 50 % compared to conventional luminaires ▶ High luminous efficiency, very homogeneous light ▶ No IR or UV radiation ▶ Long lifetime and low maintenance costs ▶ Easy and quick installation, ▶ Compatible with the latest lighting control technology. | <ul style="list-style-type: none"> ▶ Architectural Indoor Lighting, ▶ Offices, Corridors, Meeting Rooms, ▶ Schools, Hotels and Hospitals, ▶ Retails and Shopping Centers, ▶ Conference and Ballrooms, ▶ Enterances and Livingrooms |

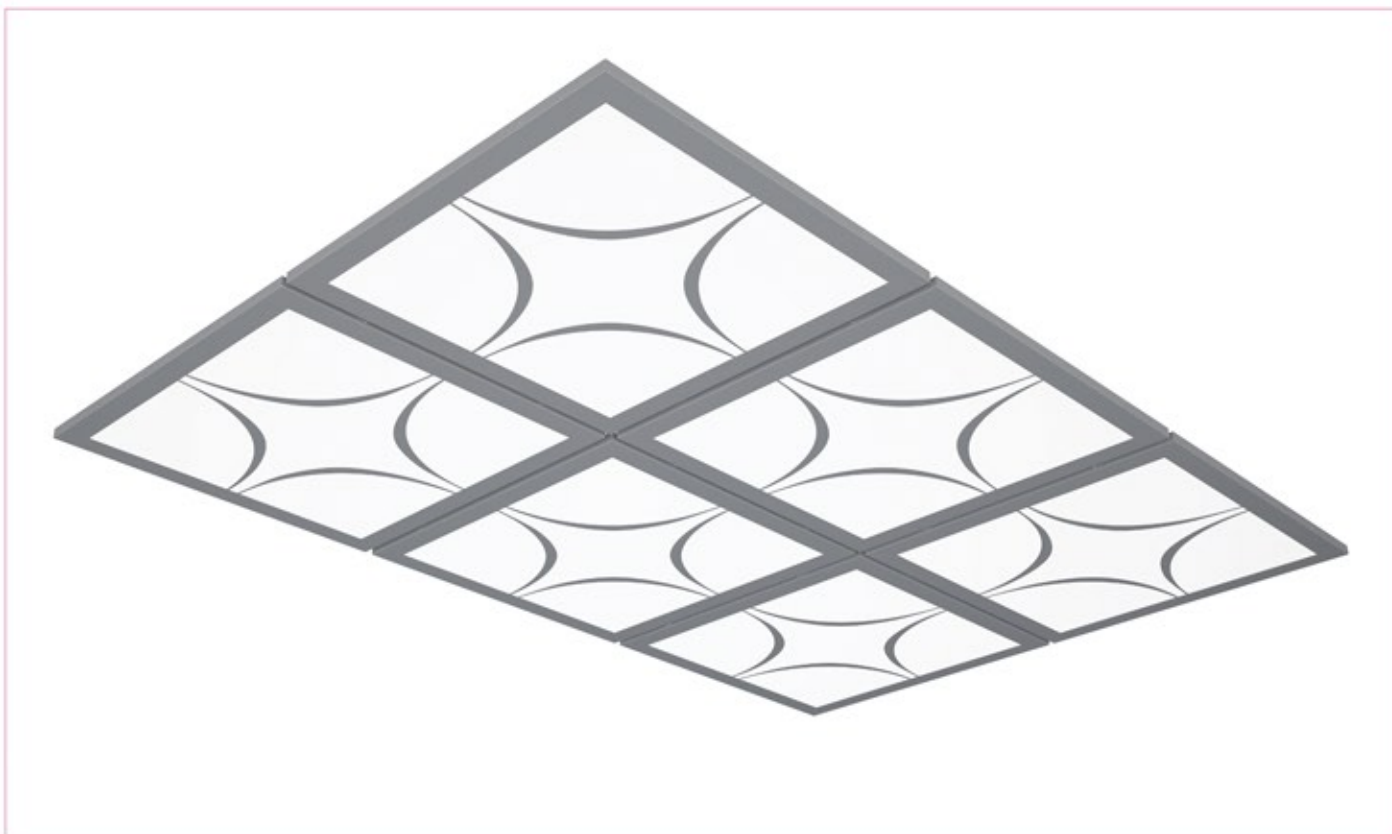
| Dimensions | Mounting Hole Sizes | Weight | Photometric Diagrams |
|---|---|--|--|
|  <p>LxWxH: 595x595x60 mm</p> |  <p>L1 x W1 = 576 x 576 mm</p> |  <p>3.5kg</p> |  |

| Product Series | Product Model | Product Code | Color Temperature | Lumen | CRI | PFC(λ) | Power | Voltage | Lifetime | Dimensions | Warranty |
|----------------|---------------|--------------------------|---|---------|--------|--------|-------|---------------------|----------|---------------|----------|
| GRAPHY TWINKLE | BRONZE | AXP.GRP.0606.TWK.***.BNZ | 3000 K 4500 K 6500 K | 3300 lm | Ra> 80 | >0.92 | 33 W | 220-240 V @50-60 Hz | 50.000 h | 600x600x60 mm | 2 Years |
| | TITANIUM | AXP.GRP.0606.TWK.***.TNM | 3000 K 4500 K 6500 K | 3400 lm | Ra> 85 | >0.92 | | | | | 3 Years |
| | SILVER | AXP.GRP.0606.TWK.***.SLV | | 3500lm | Ra> 80 | >0.92 | | | | | 2 Years |
| | GOLD | AXP.GRP.0606.TWK.***.GLD |  | 3600 lm | Ra> 85 | >0.92 | 33 W | 220-240 V @50-60 Hz | 50.000 h | 600x600x60 mm | 3 Years |
| | PLATINIUM | AXP.GRP.0606.TWK.***.PLT | | 3600 lm | Ra> 85 | >0.95 | | | | | 3 Years |

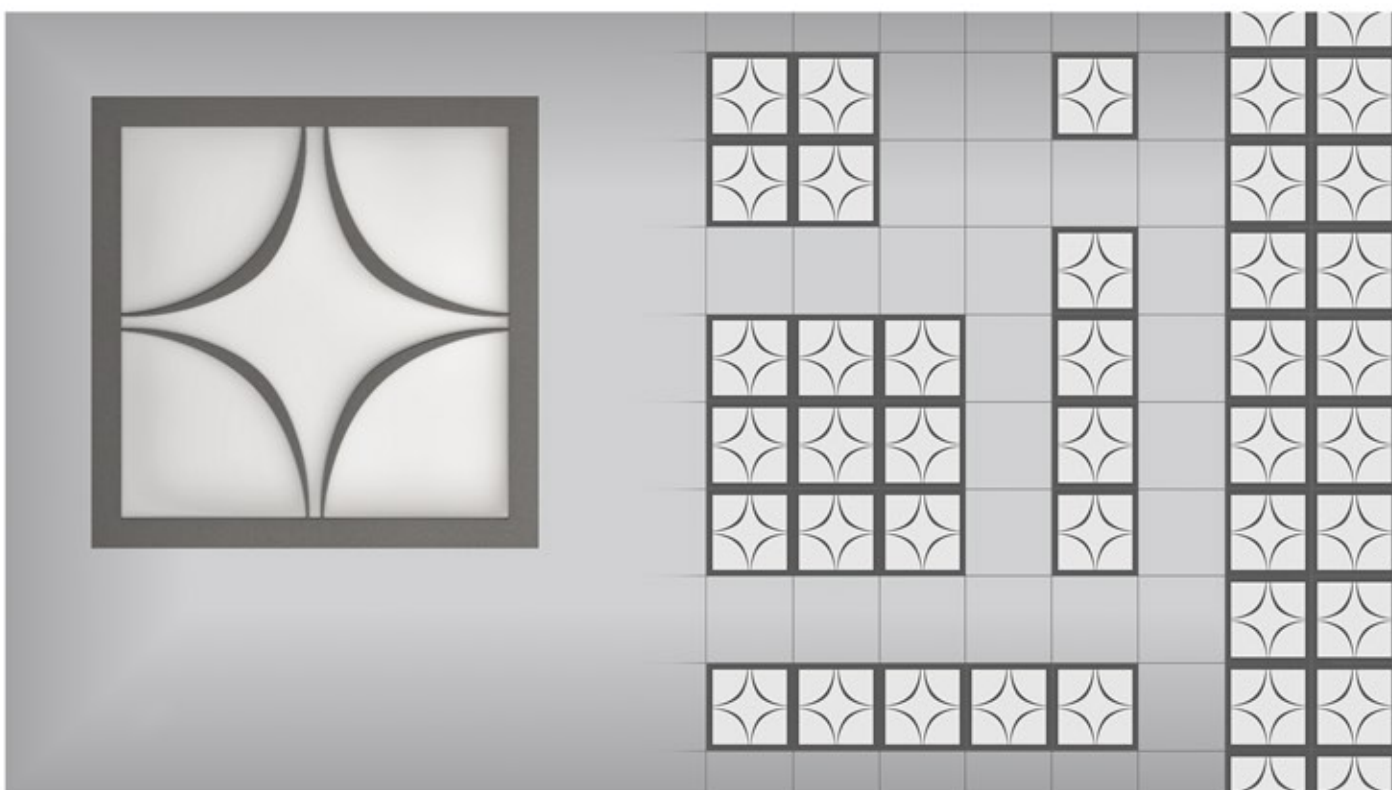
The technical datas given in this brochure are only for Lay-On mounted products.

*** Mounting Alternatives: LAY-ON, CLIP-IN, FLUSH, SURFACE MOUNTED

For more information on other models, www.okvolight.com



INTEGRATED USAGE | TWINKLE



ALTERNATIVE USAGES | TWINKLE

GRAPHY FI LED PANEL

Products Features

Mounting Type

LAY-ON, CLIP-IN, FLUSH or SURFACE Mounted

Body

2D Decorative Cover Design, electrostatic powder coated DKP sheet.

Diffuser

Opal diffuser with prismatic surface, providing homogeneous light

LED

≥50,000 h lifetime, high efficiency and high color quality index.

Color Temperature

Cool White, Natural White, Warm White and 3in1 CCT options

Driver

Constant current LED driver with high efficiency,

Operating Temperature

-25 °C / + 50 °C operating ambient temperature range


Dimension Alternatives

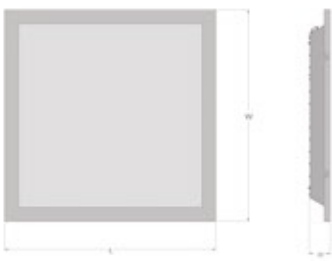
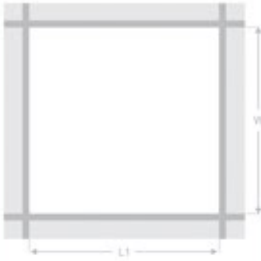

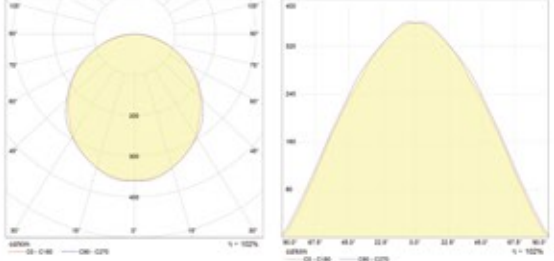
600x600 mm, 300x300 mm, 300x600 mm, 300x1200 mm , 600x1200 mm

Optional & Additional Features

- ▶ Optional Front Face Model Design
- ▶ DALI Driver Compatible
- ▶ Dimmable with DIMM Moduls
- ▶ Emergency Lighting Kit (1-3 hours)
- ▶ OKVO Smart Applications



| Multi-CCT Technology | Product Benefits | Areas Of Application |
|--|---|--|
|  <p>Three CCT options in the one product by user controlled</p> | <ul style="list-style-type: none"> ▶ Energy savings of up to 50 % compared to conventional luminaires ▶ High luminous efficiency, very homogeneous light ▶ No IR or UV radiation ▶ Long lifetime and low maintenance costs ▶ Easy and quick installation, ▶ Compatible with the latest lighting control technology. | <ul style="list-style-type: none"> ▶ Architectural Indoor Lighting, ▶ Offices, Corridors, Meeting Rooms, ▶ Schools, Hotels and Hospitals, ▶ Retails and Shopping Centers, ▶ Conference and Ballrooms, ▶ Enterances and Livingrooms |

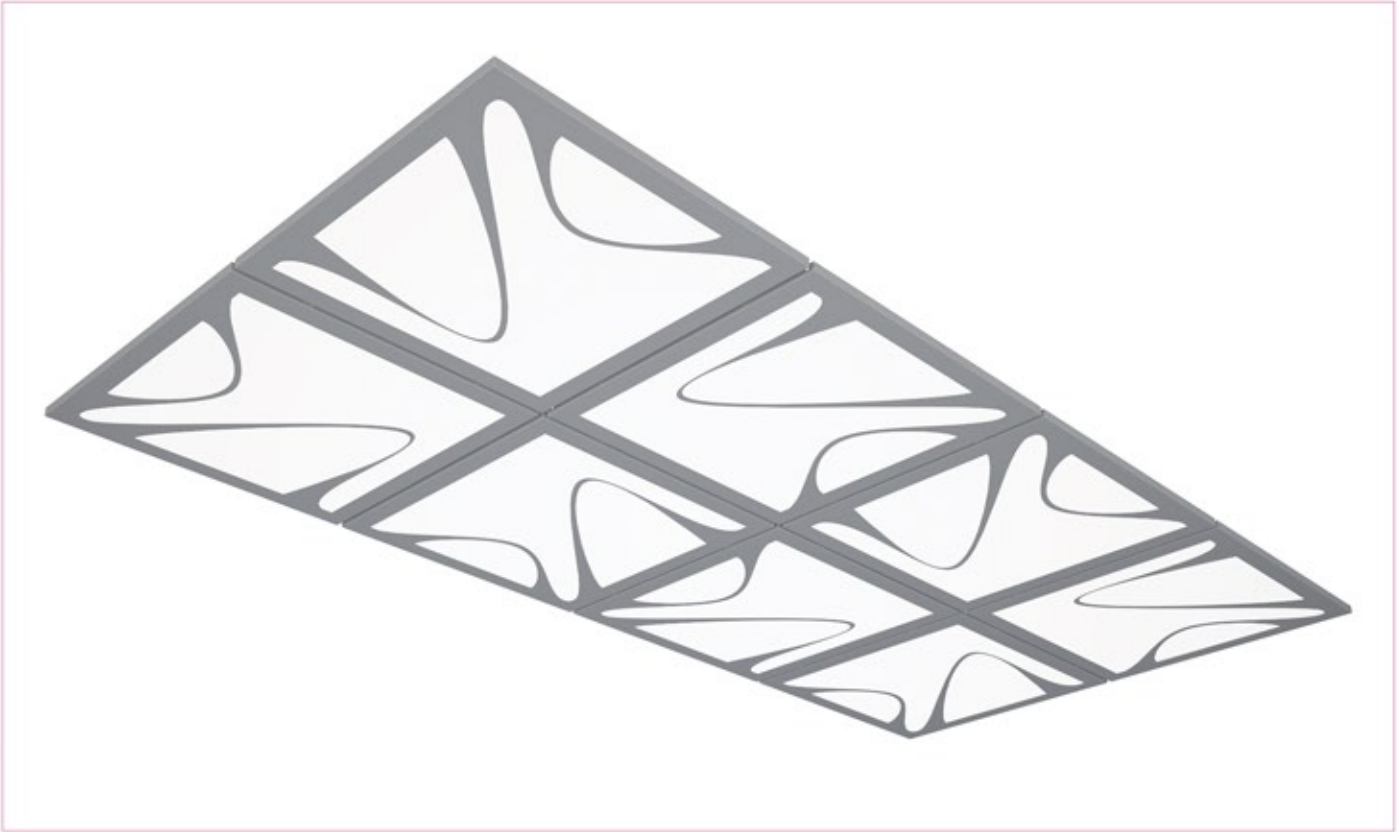
| Dimensions | Mounting Hole Sizes | Weight | Photometric Diagrams |
|---|---|--|--|
|  <p>LxWxH: 595x595x60 mm</p> |  <p>L1 x W1 = 576 x 576 mm</p> |  <p>3.5kg</p> |  |

| Product Series | Product Model | Product Code | Color Temperature | Lumen | CRI | PFC(λ) | Power | Voltage | Lifetime | Dimensions | Warranty |
|----------------|---------------|-------------------------|---|---------|---------|--------|-------|---------------------|----------|---------------|----------|
| GRAPHY FI | BRONZE | AXP.GRP.0606.XFI.**.BNZ | 3000 K 4500 K 6500 K | 3300 lm | Ra > 80 | >0.92 | 33 W | 220-240 V @50-60 Hz | 50.000 h | 600x600x60 mm | 2 Years |
| | TITANIUM | AXP.GRP.0606.XFI.**.TNM | 3000 K 4500 K 6500 K | 3400 lm | Ra > 85 | >0.92 | | | | | 3 Years |
| | SILVER | AXP.GRP.0606.XFI.**.SLV | | 3500lm | Ra > 80 | >0.92 | | | | | 2 Years |
| | GOLD | AXP.GRP.0606.XFI.**.GLD |  | 3600 lm | Ra > 85 | >0.92 | 33 W | 220-240 V @50-60 Hz | 50.000 h | 600x600x60 mm | 3 Years |
| | PLATINIUM | AXP.GRP.0606.XFI.**.PLT | | 3600 lm | Ra > 85 | >0.95 | | | | | 3 Years |

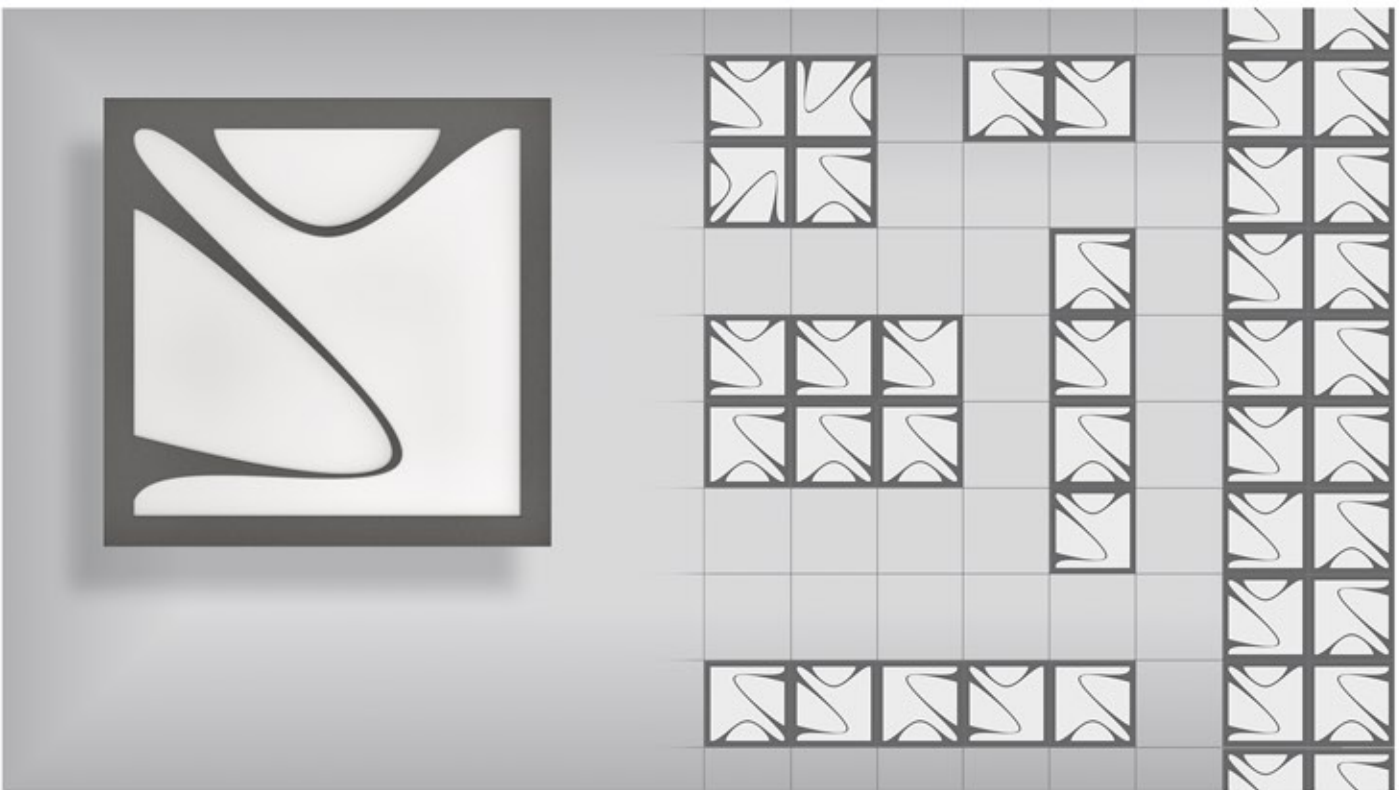
The technical datas given in this brochure are only for Lay-On mounted products.

*** Mounting Alternatives: LAY-ON, CLIP-IN, FLUSH, SURFACE MOUNTED

For more information on other models, www.okvolight.com



INTEGRATED USAGE | FI



ALTERNATIVE USAGES | FI

GRAPHY CI LED PANEL

Products Features

Mounting Type

LAY-ON, CLIP-IN, FLUSH or SURFACE Mounted

Body

2D Decorative Cover Design, electrostatic powder coated DKP sheet.

Diffuser

Opal diffuser with prismatic surface, providing homogeneous light

LED

≥50,000 h lifetime, high efficiency and high color quality index.

Color Temperature

Cool White, Natural White, Warm White and 3in1 CCT options

Driver

Constant current LED driver with high efficiency,

Operating Temperature

-25 °C / + 50 °C operating ambient temperature range


Dimension Alternatives

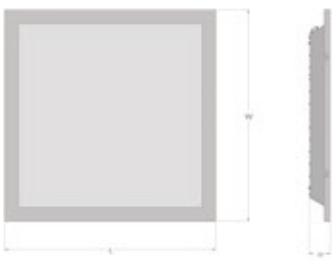
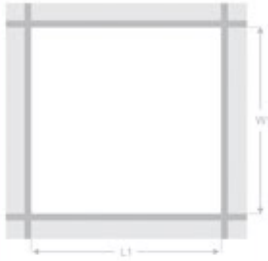

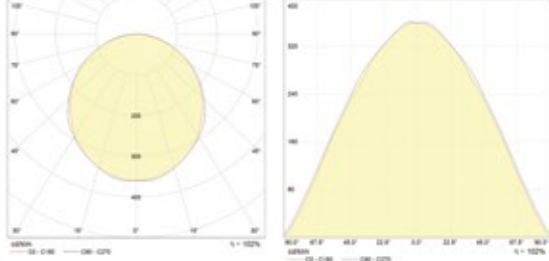
600x600 mm, 300x300 mm, 300x600 mm, 300x1200 mm , 600x1200 mm


Optional & Additional Features

- ▶ Optional Front Face Model Design
- ▶ DALI Driver Compatible
- ▶ Dimmable with DIMM Moduls
- ▶ Emergency Lighting Kit (1-3 hours)
- ▶ OKVO Smart Applications



| Multi-CCT Technology | Product Benefits | Areas Of Application |
|--|---|--|
|  <p>Three CCT options in the one product by user controlled</p> | <ul style="list-style-type: none"> ▶ Energy savings of up to 50 % compared to conventional luminaires ▶ High luminous efficiency, very homogeneous light ▶ No IR or UV radiation ▶ Long lifetime and low maintenance costs ▶ Easy and quick installation, ▶ Compatible with the latest lighting control technology. | <ul style="list-style-type: none"> ▶ Architectural Indoor Lighting, ▶ Offices, Corridors, Meeting Rooms, ▶ Schools, Hotels and Hospitals, ▶ Retails and Shopping Centers, ▶ Conference and Ballrooms, ▶ Enterances and Livingrooms |

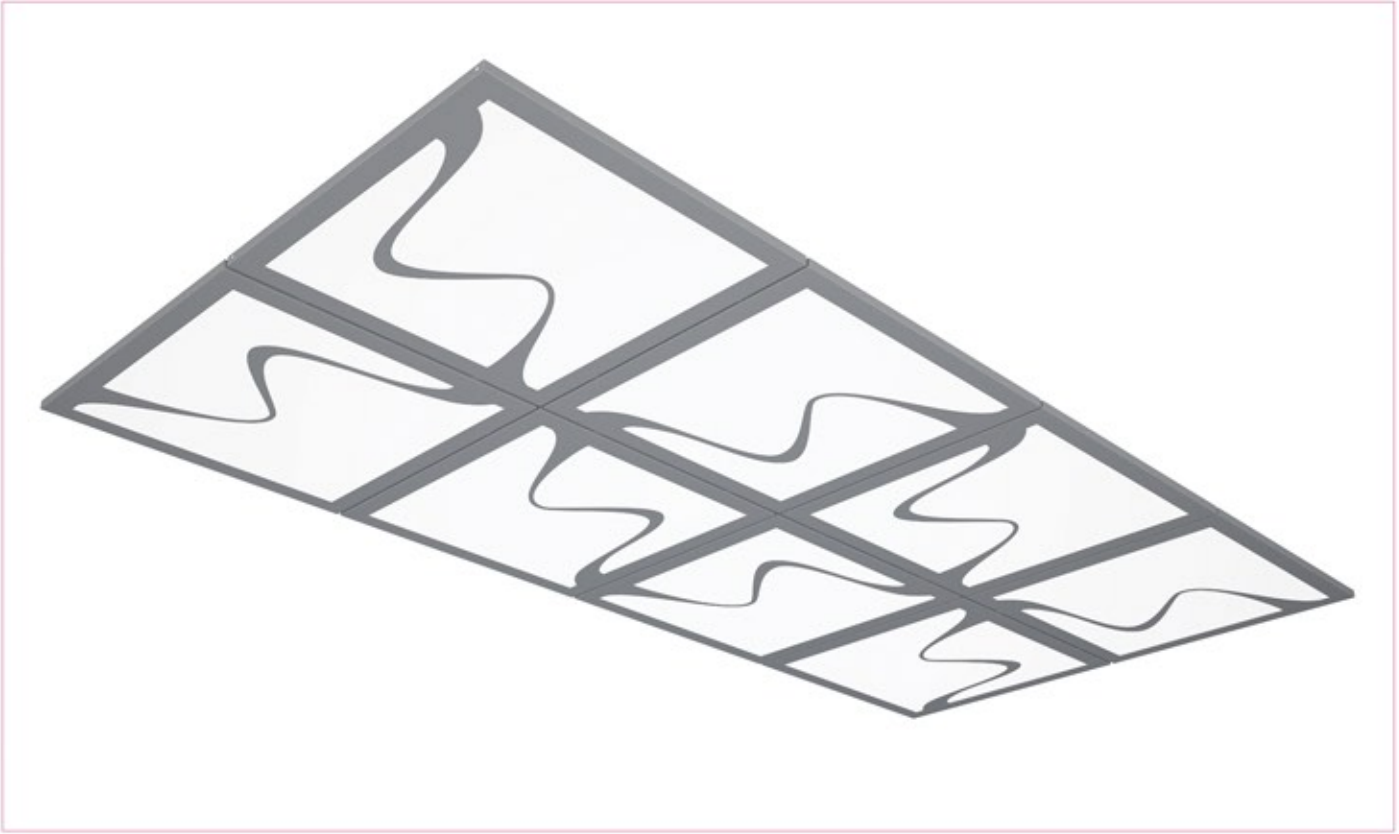
| Dimensions | Mounting Hole Sizes | Weight | Photometric Diagrams |
|---|---|--|--|
|  <p>LxWxH: 595x595x60 mm</p> |  <p>L1 x W1 = 576 x 576 mm</p> |  <p>3.5kg</p> |  |

| Product Series | Product Model | Product Code | Color Temperature | Lumen | CRI | PFC(λ) | Power | Voltage | Lifetime | Dimensions | Warranty |
|----------------|---------------|--------------------------|---|---------|---------|--------|-------|---------------------|----------|---------------|----------|
| GRAPHY CI | BRONZE | AXP.GRP.0606.XCI.***.BNZ | 3000 K 4500 K 6500 K | 3300 lm | Ra > 80 | >0.92 | 33 W | 220-240 V @50-60 Hz | 50.000 h | 600x600x60 mm | 2 Years |
| | TITANIUM | AXP.GRP.0606.XCI.***.TNM | 3000 K 4500 K 6500 K | 3400 lm | Ra > 85 | >0.92 | | | | | 3 Years |
| | SILVER | AXP.GRP.0606.XCI.***.SLV | | 3500lm | Ra > 80 | >0.92 | | | | | 2 Years |
| | GOLD | AXP.GRP.0606.XCI.***.GLD |  | 3600 lm | Ra > 85 | >0.92 | 33 W | 220-240 V @50-60 Hz | 50.000 h | 600x600x60 mm | 3 Years |
| | PLATINIUM | AXP.GRP.0606.XCI.***.PLT | | 3600 lm | Ra > 85 | >0.95 | | | | | 3 Years |

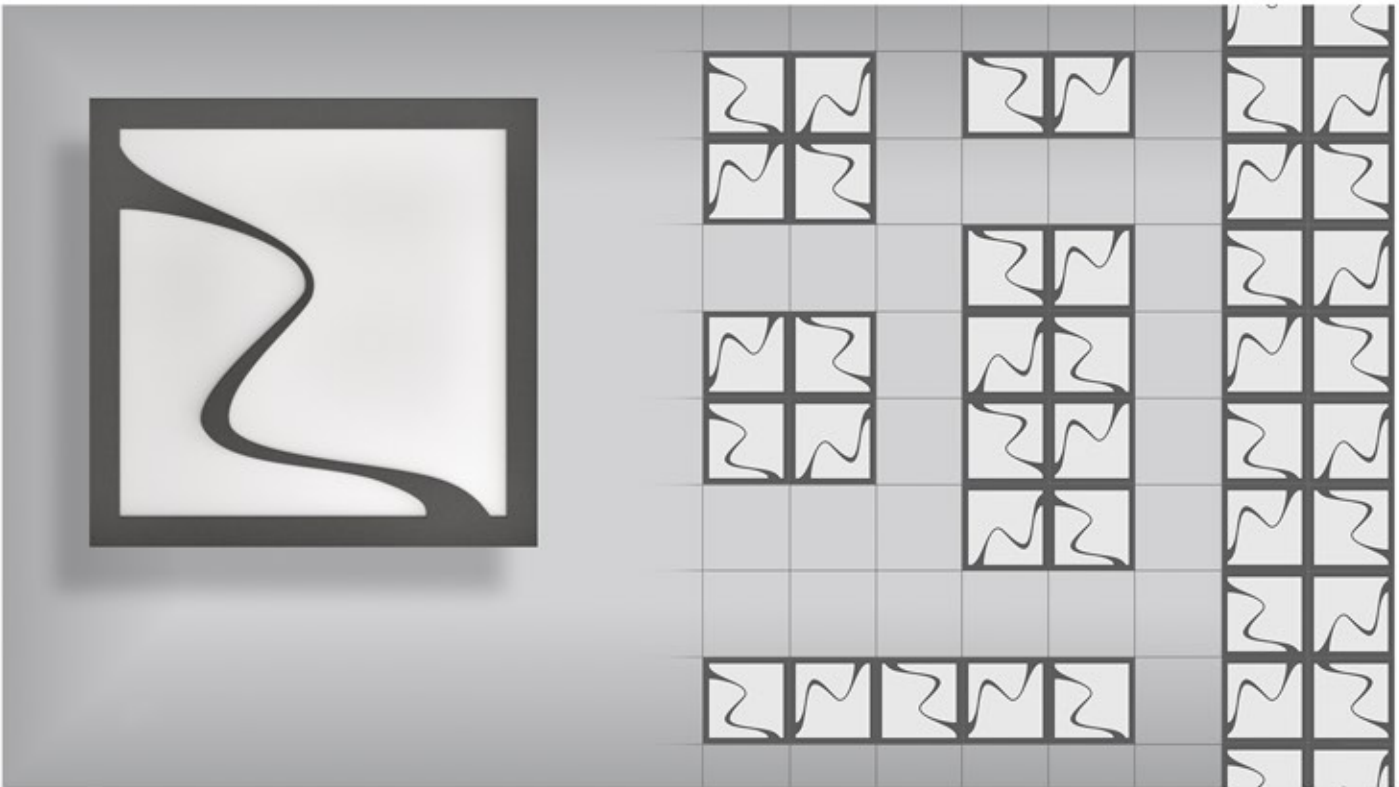
The technical datas given in this brochure are only for Lay-On mounted products.

*** Mounting Alternatives: LAY-ON, CLIP-IN, FLUSH, SURFACE MOUNTED

For more information on other models, www.okvolight.com



INTEGRATED USAGE | CI



ALTERNATIVE USAGES | CI

okvolight®

Mimarsinan Organize Sanayi Bölgesi
Kastim Cad. No:22/B Kayseri / TURKEY
T : +90 352 228 00 28
F : +90 352 228 00 29

© 2018, Okvolight. All rights reserved.

We reserve the right to change specifications, product descriptions, product quality, pricing and application at any time without prior written or oral notice.