

okvolight®

Technology Inside



FLATY SERIES

➤ **BASIC PANEL**
LUMINAIRES



LED
LIGHTING
SOLUTIONS

LAY-ON MOUNTED LED PANEL

Products Features

Mounting Type

LAY-ON Mounted on Suspended Ceiling

Body

Electrostatic powder coated DKP sheet.

Diffuser

Opal diffuser with prismatic surface, providing homogeneous light

LED

≥50,000 h lifetime, high efficiency and high color quality index.

Color Temperature

Cool White, Natural White, Warm White and 3in1 CCT options

Driver

Constant current LED driver with high efficiency,

Operating Temperature

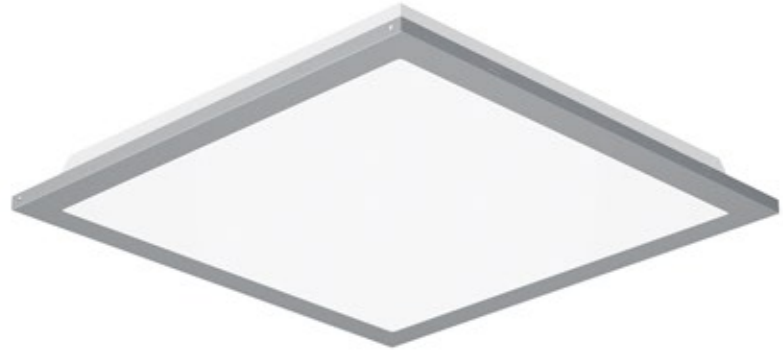
-25 ° C / + 50 ° C operating ambient temperature range

Dimension Alternatives

600x600 mm, 300x300 mm, 300x600 mm, 300x1200 mm , 600x1200 mm


Optional & Additional Features

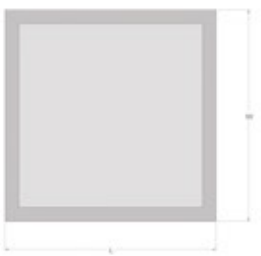
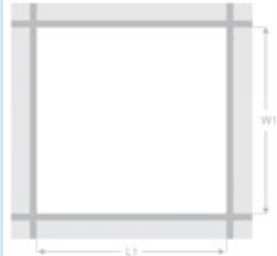

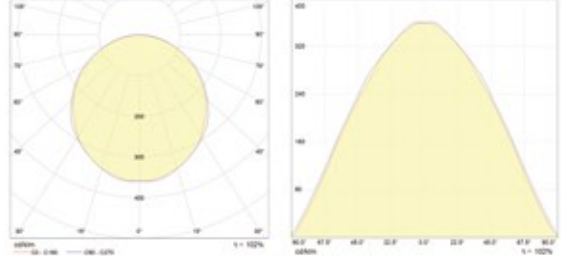
- ▶ DALI Driver Compatible
- ▶ Dimmable with DIMM Moduls
- ▶ Emergency Lighting Kit (1 -3 hours)
- ▶ OKVO Smart Applications



Body Color RAL 9016 RAL 9006



Multi-CCT Technology	Product Benefits	Areas Of Application
 <p>Three CCT options in the one product by user controlled</p>	<ul style="list-style-type: none"> ▶ Energy savings of up to 50 % compared to conventional luminaires ▶ High luminous efficiency, very homogeneous light ▶ No IR or UV radiation ▶ Long lifetime and low maintenance costs ▶ Easy and quick installation, ▶ Compatible with the latest lighting control technology. 	<ul style="list-style-type: none"> ▶ Offices, Corridors, Meeting Rooms, ▶ Schools, Hotels and Hospitals, ▶ Retails and Shopping Centers, ▶ Conference and Ballrooms, ▶ Enterances and Livingrooms, ▶ Modular Constructions

Dimensions	Mounting Hole Sizes	Weight	Photometric Diagrams
 <p>LxWxH: 595x595x60 mm</p>	 <p>L1 x w1 = 576 x 576 mm</p>	 <p>3.3kg</p>	

Product Series	Product Model	Product Code	Color Temperature	Lumen	CRI	PFC(λ)	Power	Voltage	Lifetime	Dimensions	Warranty
FLATY LAY-ON MOUNTED	BRONZE	AXP.FLT.0606.BSCLYN.BNZ	3000 K 4500 K 6500 K	3300 lm	Ra> 80	>0.92	33 W	220-240 V @50-60 Hz	50.000 h	595x595x60 mm	2 Years
	TITANIUM	AXP.FLT.0606.BSCLYN.TNM	3000 K 4500 K 6500 K	3400 lm	Ra> 85	>0.92					3 Years
	SILVER	AXP.FLT.0606.BSCLYN.SLV		3500lm	Ra> 80	>0.92					2 Years
	GOLD	AXP.FLT.0606.BSCLYN.GLD		3600 lm	Ra> 85	>0.92	33 W	220-240 V @50-60 Hz	50.000 h	595x595x60 mm	3 Years
	PLATINIUM	AXP.FLT.0606.BSCLYN.PLT		3600 lm	Ra> 85	>0.95					3 Years

For more information on other models, www.okvolight.com

CLIP-IN MOUNTED LED PANEL

Products Features

Mounting Type

CLIP-IN Mounted on Suspended Ceiling

Body

Electrostatic powder coated DKP sheet.

Diffuser

Opal diffuser with prismatic surface, providing homogeneous light

LED

≥50,000 h lifetime, high efficiency and high color quality index.

Color Temperature

Cool White, Natural White, Warm White and 3in1 CCT options

Driver

Constant current LED driver with high efficiency,

Operating Temperature

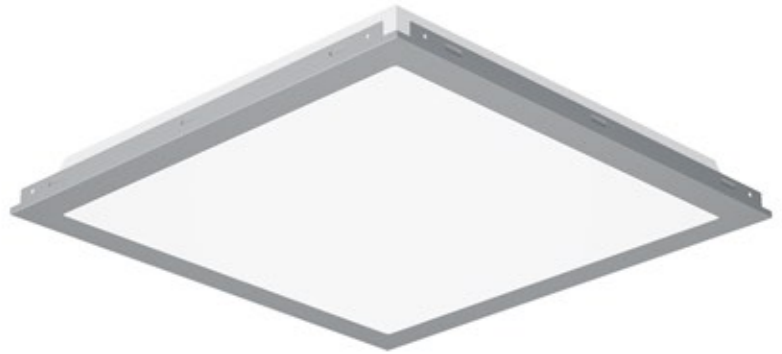
-25 °C / + 50 °C operating ambient temperature range


Dimension Alternatives

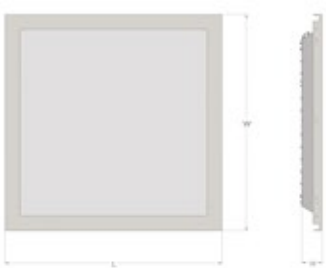
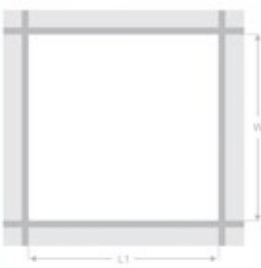

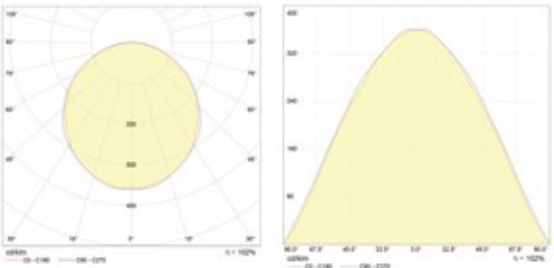
600x600 mm, 300x300 mm, 300x600 mm, 300x1200 mm , 600x1200 mm

Optional & Additional Features

- ▶ DALI Driver Compatible
- ▶ Dimmable with DIMM Moduls
- ▶ Emergency Lighting Kit (1-3 hours)
- ▶ OKVO Smart Applications



Multi-CCT Technology	Product Benefits	Areas Of Application
 <p>Three CCT options in the one product by user controlled</p>	<ul style="list-style-type: none"> ▶ Energy savings of up to 50 % compared to conventional luminaires ▶ High luminous efficiency, very homogeneous light ▶ No IR or UV radiation ▶ Long lifetime and low maintenance costs ▶ Easy and quick installation, ▶ Compatible with the latest lighting control technology. 	<ul style="list-style-type: none"> ▶ Offices, Corridors, Meeting Rooms, ▶ Schools, Hotels and Hospitals, ▶ Retails and Shopping Centers, ▶ Conference and Ballrooms, ▶ Enterances and Livingrooms, ▶ Modular Constructions

Dimensions	Mounting Hole Sizes	Weight	Photometric Diagrams
 <p>LxWxH 600x600x60 mm</p>	 <p>L1 x W1 = 600 x 600 mm</p>	 <p>3.5kg</p>	

Product Series	Product Model	Product Code	Color Temperature	Lumen	CRI	PFC(λ)	Power	Voltage	Lifetime	Dimensions	Warranty
FLATY CLIP-IN MOUNTED	BRONZE	AXP.FLT.0606.BSC.CLP.BNZ	3000 K 4500 K 6500 K	3300 lm	Ra> 80	>0.92	33 W	220-240 V @50-60 Hz	50.000 h	600x600x60 mm	2 Years
	TITANIUM	AXP.FLT.0606.BSC.CLP.TNM	3000 K 4500 K 6500 K	3400 lm	Ra> 85	>0.92					3 Years
	SILVER	AXP.FLT.0606.BSC.CLP.SLV		3500lm	Ra> 80	>0.92					2 Years
	GOLD	AXP.FLT.0606.BSC.CLP.GLD		3600 lm	Ra> 85	>0.92	33 W	220-240 V @50-60 Hz	50.000 h	600x600x60 mm	3 Years
	PLATINIUM	AXP.FLT.0606.BSC.CLP.PLT		3600 lm	Ra> 85	>0.95					3 Years

For more information on other models, www.okvlight.com

FLUSH MOUNTED LED PANEL

Products Features

Mounting Type

Flush Mounted on Ceiling

Body

Electrostatic powder coated DKP sheet.

Diffuser

Opal diffuser with prismatic surface, providing homogeneous light

LED

≥50,000 h lifetime, high efficiency and high color quality index.

Color Temperature

Cool White, Natural White, Warm White and 3in1 CCT options

Driver

Constant current LED driver with high efficiency,

Operating Temperature

-25 ° C / + 50 ° C operating ambient temperature range

Dimension Alternatives

600x600 mm, 300x300 mm, 300x600 mm, 300x1200 mm , 600x1200 mm


Optional & Additional Features

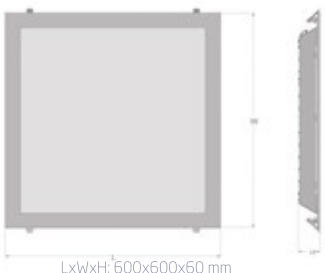


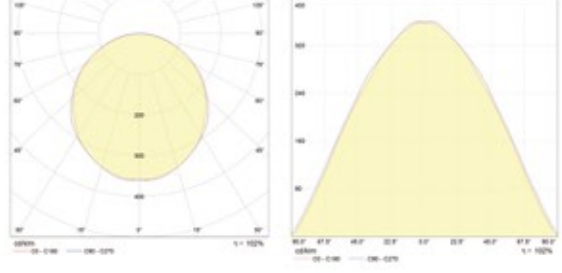
- ▶ DALI Driver Compatible
- ▶ Dimmable with DIMM Moduls
- ▶ Emergency Lighting Kit (1 -3 hours)
- ▶ OKVO Smart Applications



Body Color RAL 9016 RAL 9006



Multi-CCT Technology	Product Benefits	Areas Of Application
 <p>Three CCT options in the one product by user controlled</p>	<ul style="list-style-type: none"> ▶ Energy savings of up to 50 % compared to conventional luminaires ▶ High luminous efficiency, very homogeneous light ▶ No IR or UV radiation ▶ Long lifetime and low maintenance costs ▶ Easy and quick installation, ▶ Compatible with the latest lighting control technology. 	<ul style="list-style-type: none"> ▶ Offices, Corridors, Meeting Rooms, ▶ Schools, Hotels and Hospitals, ▶ Retails and Shopping Centers, ▶ Conference and Ballrooms, ▶ Enterances and Livingrooms, ▶ Modular Constructions

Dimensions	Mounting Hole Sizes	Weight	Photometric Diagrams
 <p>LxWxH: 600x600x60 mm</p>	 <p>L1 x W1 = 580x 580 mm</p>	 <p>3.6kg</p>	

Product Series	Product Model	Product Code	Color Temperature	Lumen	CRI	PFC(λ)	Power	Voltage	Lifetime	Dimensions	Warranty
FLATY FLUSH MOUNTED	BRONZE	AXP.FLT.0606.BSC.FLH.BNZ	3000 K 4500 K 6500 K	3300 lm	Ra> 80	>0.92	33 W	220-240 V @50-60 Hz	50.000 h	600x600x60 mm	2 Years
	TITANIUM	AXP.FLT.0606.BSC.FLH.TNM	3000 K 4500 K 6500 K	3400 lm	Ra> 85	>0.92					3 Years
	SILVER	AXP.FLT.0606.BSC.FLH.SLV		3500lm	Ra> 80	>0.92					2 Years
	GOLD	AXP.FLT.0606.BSC.FLH.GLD		3600 lm	Ra> 85	>0.92	33 W	220-240 V @50-60 Hz	50.000 h	600x600x60 mm	3 Years
	PLATINIUM	AXP.FLT.0606.BSC.FLH.PLT		3600 lm	Ra> 85	>0.95					3 Years

For more information on other models, www.okvolight.com

SURFACE MOUNTED LED PANEL

Products Features

Mounting Type

Surface Mounted on Ceiling

Body

Electrostatic powder coated DKP sheet.

Diffuser

Opal diffuser with prismatic surface, providing homogeneous light

LED

>50,000 h lifetime, high efficiency and high color quality index.

Color Temperature

Cool White, Natural White, Warm White and 3in1 CCT options

Driver

Constant current LED driver with high efficiency,

Operating Temperature

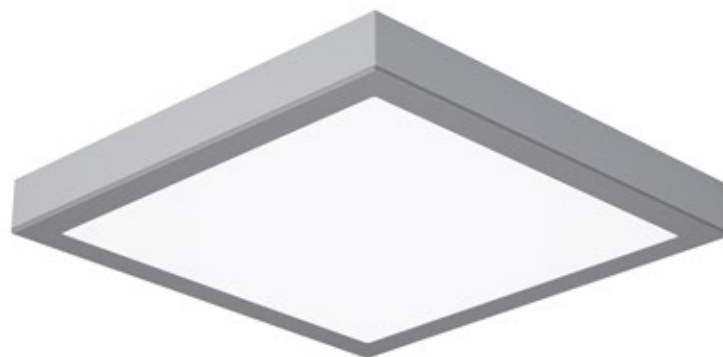
-25 ° C / + 50 ° C operating ambient temperature range


Dimension Alternatives


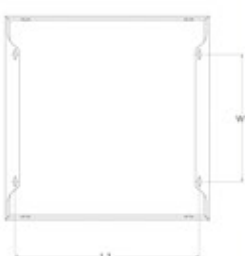

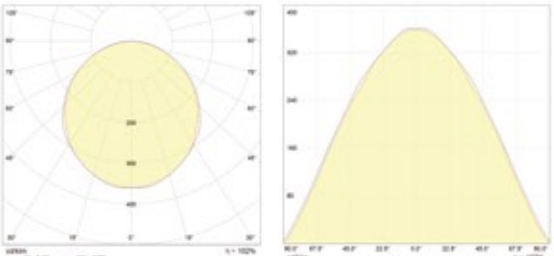
600x600 mm, 300x300 mm, 300x600 mm, 300x1200 mm , 600x1200 mm

Optional & Additional Features

- ▶ DALI Driver Compatible
- ▶ Dimmable with DIMM Moduls
- ▶ Emergency Lighting Kit (1-3 hours)
- ▶ OKVO Smart Applications



Multi-CCT Technology	Product Benefits	Areas Of Application
 <p>Three CCT options in the one product by user controlled</p>	<ul style="list-style-type: none"> ▶ Energy savings of up to 50 % compared to conventional luminaires ▶ High luminous efficiency, very homogeneous light ▶ No IR or UV radiation ▶ Long lifetime and low maintenance costs ▶ Easy and quick installation, ▶ Compatible with the latest lighting control technology. 	<ul style="list-style-type: none"> ▶ Offices, Corridors, Meeting Rooms, ▶ Schools, Hotels and Hospitals, ▶ Retails and Shopping Centers, ▶ Conference and Ballrooms, ▶ Enterances and Livingrooms, ▶ Modular Constructions

Dimensions	Mounting Hole Sizes	Weight	Photometric Diagrams
 <p>LxWxH 600x600x70 mm</p>	 <p>L1 x W1 = 540 x 375 mm</p>	 <p>4,5kg</p>	

Product Series	Product Model	Product Code	Color Temperature	Lumen	CRI	PFC(λ)	Power	Voltage	Lifetime	Dimensions	Warranty
FLATY SURFACE MOUNTED	BRONZE	AXP.FLT.0606.BSC.SFC.BNZ	3000 K 4500 K 6500 K	3300 lm	Ra> 80	>0.92	33 W	220-240 V @50-60 Hz	50.000 h	600x600x70 mm	2 Years
	TITANIUM	AXP.FLT.0606.BSC.SFC.TNM	3000 K 4500 K 6500 K	3400 lm	Ra> 85	>0.92					3 Years
	SILVER	AXP.FLT.0606.BSC.SFC.SLV		3500lm	Ra> 80	>0.92					2 Years
	GOLD	AXP.FLT.0606.BSC.SFC.GLD		3600 lm	Ra> 85	>0.92	33 W	220-240 V @50-60 Hz	50.000 h	600x600x70 mm	3 Years
	PLATINIUM	AXP.FLT.0606.BSC.SFC.PLT		3600 lm	Ra> 85	>0.95					3 Years

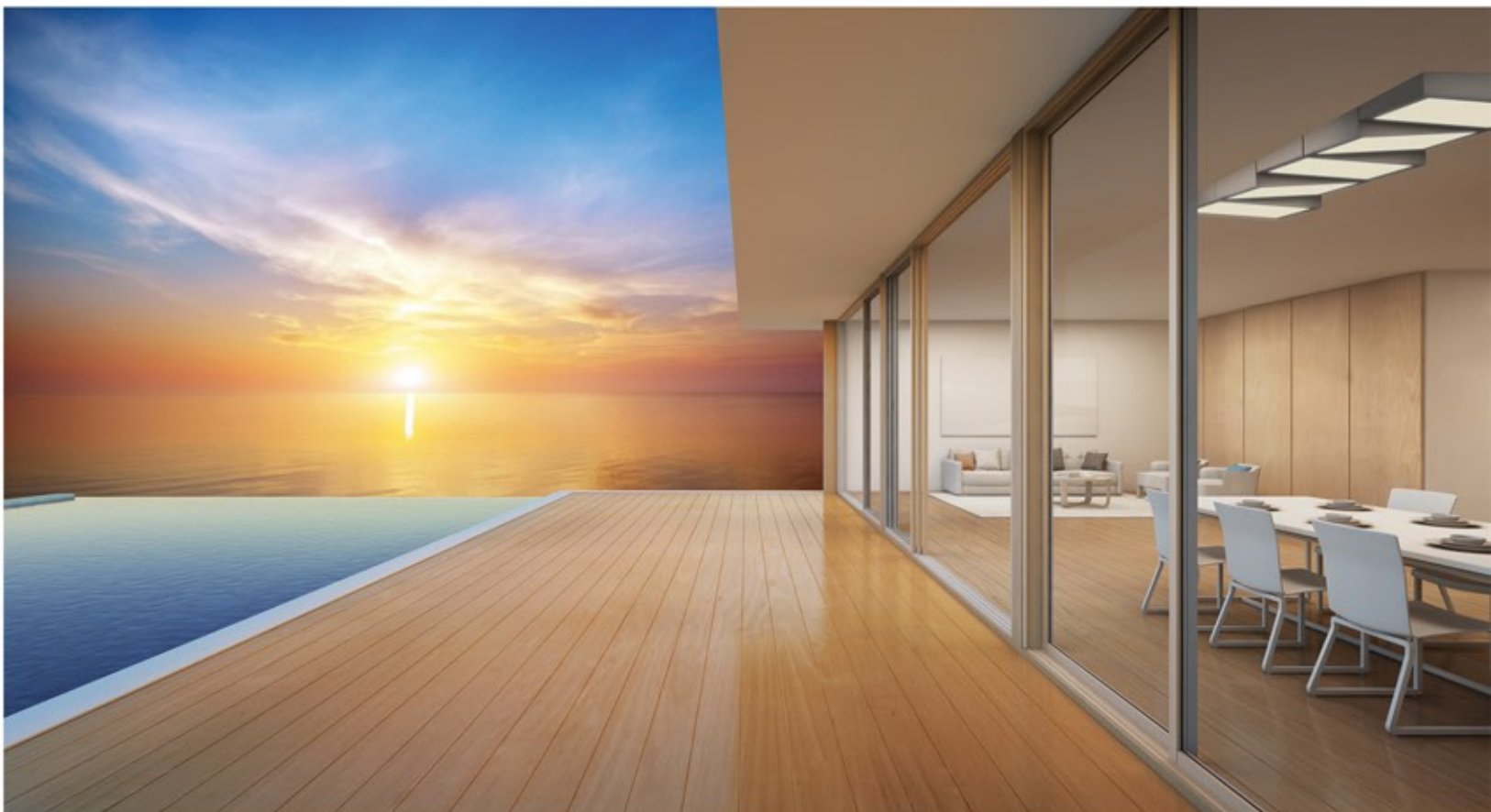
For more information on other models, www.okvlight.com



Multi-CCT Technology

Led Lighting For All Moods

It's time to change because conventional incandescent lamps are thing of the past with the modern OKVOLIGHT LED Lamps from Kaftan Technology, You can create the atmosphere and mood what the aura needs or users want.



okvolight®

Mimarsinan Organize Sanayi Bölgesi
Kastim Cad. No:22/B Kayseri / TURKEY
T : +90 352 228 00 28
F : +90 352 228 00 29
www.okvolight.com

© 2018, Okvolight. All rights reserved.

We reserve the right to change specifications, product descriptions, product quality, pricing and application at any time without prior written or oral notice.

okvolight®

Technology Inside



GRAPHY SERIES

► 2D DECORATIVE
PANEL LUMINAIRES

GRAPHY LEAKY LED PANEL

Products Features

Mounting Type

LAY-ON, CLIP-IN, FLUSH or SURFACE Mounted

Body

2D Decorative Cover Design, electrostatic powder coated DKP sheet.

Diffuser

Opal diffuser with prismatic surface, providing homogeneous light

LED

≥50,000 h lifetime, high efficiency and high color quality index.

Color Temperature

Cool White, Natural White, Warm White and 3in1 CCT options

Driver

Constant current LED driver with high efficiency,

Operating Temperature

-25 °C / + 50 °C operating ambient temperature range


Dimension Alternatives

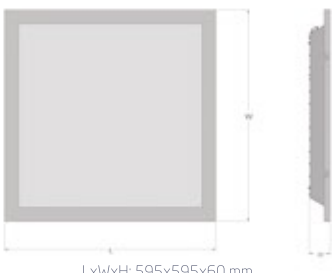
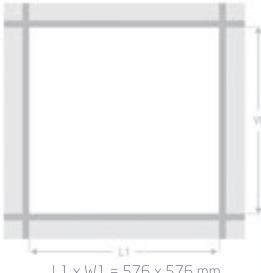

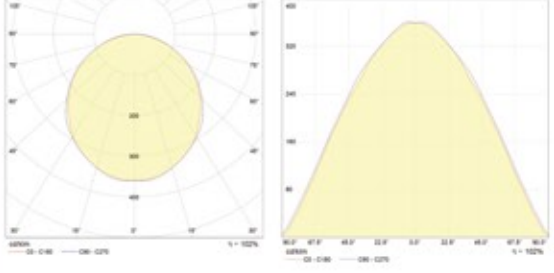
600x600 mm, 300x300 mm, 300x600 mm, 300x1200 mm , 600x1200 mm


Optional & Additional Features

- ▶ Optional Front Face Model Design
- ▶ DALI Driver Compatible
- ▶ Dimmable with DIMM Moduls
- ▶ Emergency Lighting Kit (1-3 hours)
- ▶ OKVO Smart Applications



Multi-CCT Technology	Product Benefits	Areas Of Application
 <p>Three CCT options in the one product by user controlled</p>	<ul style="list-style-type: none"> ▶ Energy savings of up to 50 % compared to conventional luminaires ▶ High luminous efficiency, very homogeneous light ▶ No IR or UV radiation ▶ Long lifetime and low maintenance costs ▶ Easy and quick installation, ▶ Compatible with the latest lighting control technology. 	<ul style="list-style-type: none"> ▶ Architectural Indoor Lighting, ▶ Offices, Corridors, Meeting Rooms, ▶ Schools, Hotels and Hospitals, ▶ Retails and Shopping Centers, ▶ Conference and Ballrooms, ▶ Enterances and Livingrooms

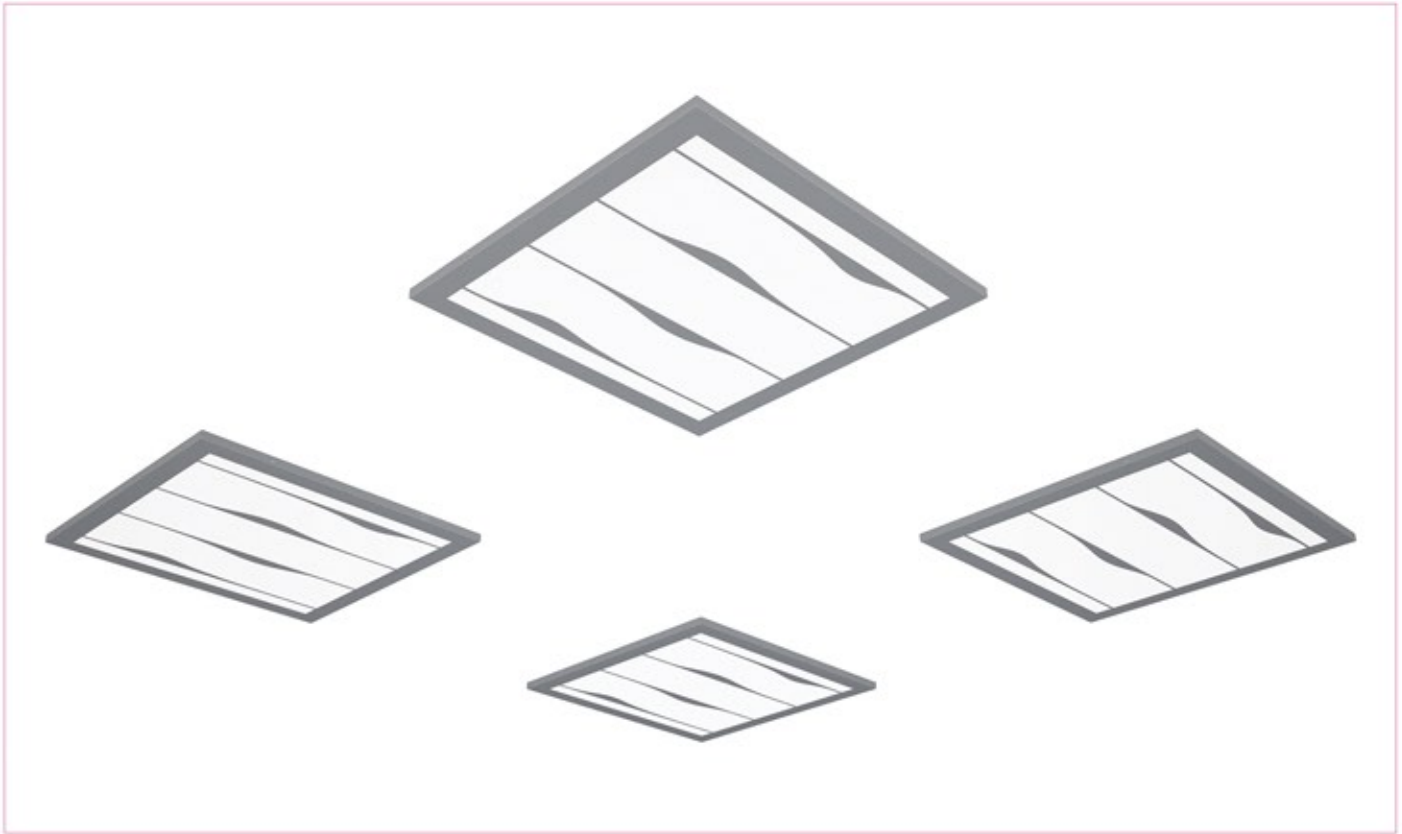
Dimensions	Mounting Hole Sizes	Weight	Photometric Diagrams
 <p>LxWxH: 595x595x60 mm</p>	 <p>L1 x W1 = 576 x 576 mm</p>	 <p>3.5kg</p>	

Product Series	Product Model	Product Code	Color Temperature	Lumen	CRI	PFC(λ)	Power	Voltage	Lifetime	Dimensions	Warranty
GRAPHY LEAKY	BRONZE	AXP.GRP.0606.LKY.***.BNZ	3000 K 4500 K 6500 K	3300 lm	Ra > 80	>0.92	33 W	220-240 V @50-60 Hz	50.000 h	600x600x60 mm	2 Years
	TITANIUM	AXP.GRP.0606.LKY.***.TNM	3000 K 4500 K 6500 K	3400 lm	Ra > 85	>0.92					3 Years
	SILVER	AXP.GRP.0606.LKY.***.SLV		3500lm	Ra > 80	>0.92					2 Years
	GOLD	AXP.GRP.0606.LKY.***.GLD		3600 lm	Ra > 85	>0.92	33 W	220-240 V @50-60 Hz	50.000 h	600x600x60 mm	3 Years
	PLATINIUM	AXP.GRP.0606.LKY.***.PLT		3600 lm	Ra > 85	>0.95					3 Years

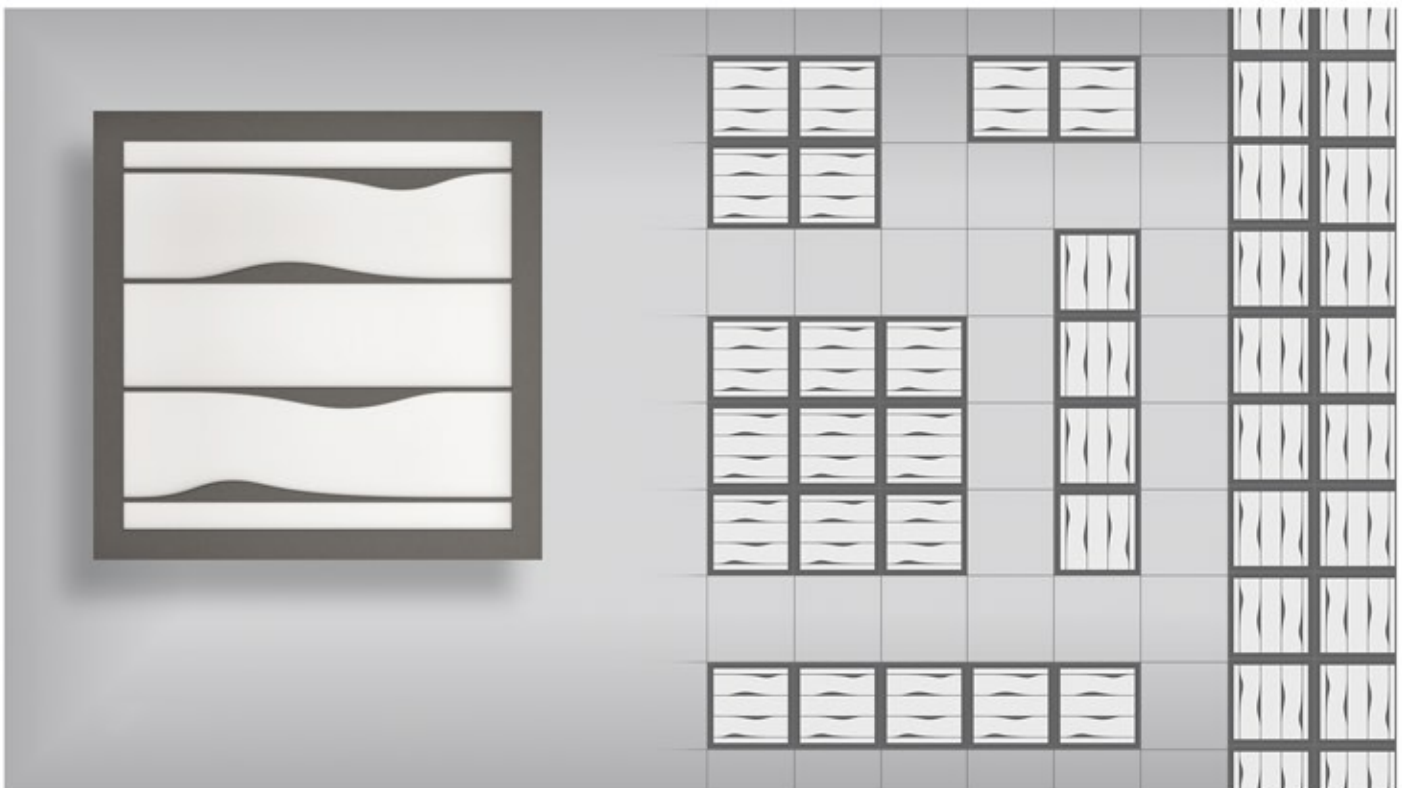
*** Mounting Alternatives: LAY-ON, CLIP-IN, FLUSH, SURFACE MOUNTED

The technical datas given in this brochure are only for Lay-On mounted products.

For more information on other models, www.okvolight.com



SINGLE USAGE | LEAKY



ALTERNATIVE USAGES | LEAKY

GRAPHY MESHY LED PANEL

Products Features

Mounting Type

LAY-ON, CLIP-IN, FLUSH or SURFACE Mounted

Body

2D Decorative Cover Design, electrostatic powder coated DKP sheet.

Diffuser

Opal diffuser with prismatic surface, providing homogeneous light

LED

≥50,000 h lifetime, high efficiency and high color quality index.

Color Temperature

Cool White, Natural White, Warm White and 3in1 CCT options

Driver

Constant current LED driver with high efficiency,

Operating Temperature

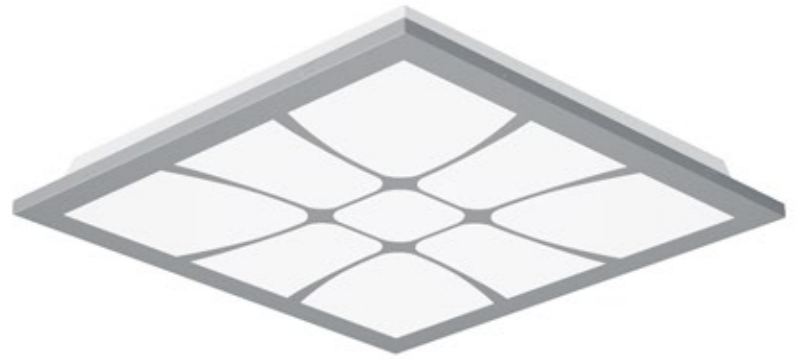
-25 °C / + 50 °C operating ambient temperature range


Dimension Alternatives

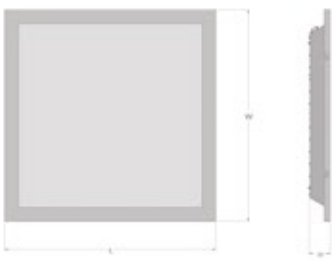
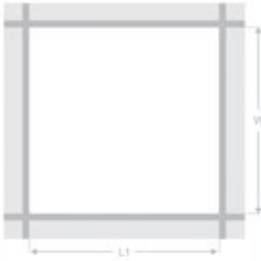

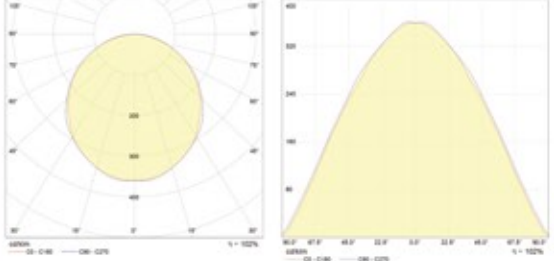
600x600 mm, 300x300 mm, 300x600 mm, 300x1200 mm , 600x1200 mm


Optional & Additional Features

- ▶ Optional Front Face Model Design
- ▶ DALI Driver Compatible
- ▶ Dimmable with DIMM Moduls
- ▶ Emergency Lighting Kit (1-3 hours)
- ▶ OKVO Smart Applications



Multi-CCT Technology	Product Benefits	Areas Of Application
 <p>Three CCT options in the one product by user controlled</p>	<ul style="list-style-type: none"> ▶ Energy savings of up to 50 % compared to conventional luminaires ▶ High luminous efficiency, very homogeneous light ▶ No IR or UV radiation ▶ Long lifetime and low maintenance costs ▶ Easy and quick installation, ▶ Compatible with the latest lighting control technology. 	<ul style="list-style-type: none"> ▶ Architectural Indoor Lighting, ▶ Offices, Corridors, Meeting Rooms, ▶ Schools, Hotels and Hospitals, ▶ Retails and Shopping Centers, ▶ Conference and Ballrooms, ▶ Enterances and Livingrooms

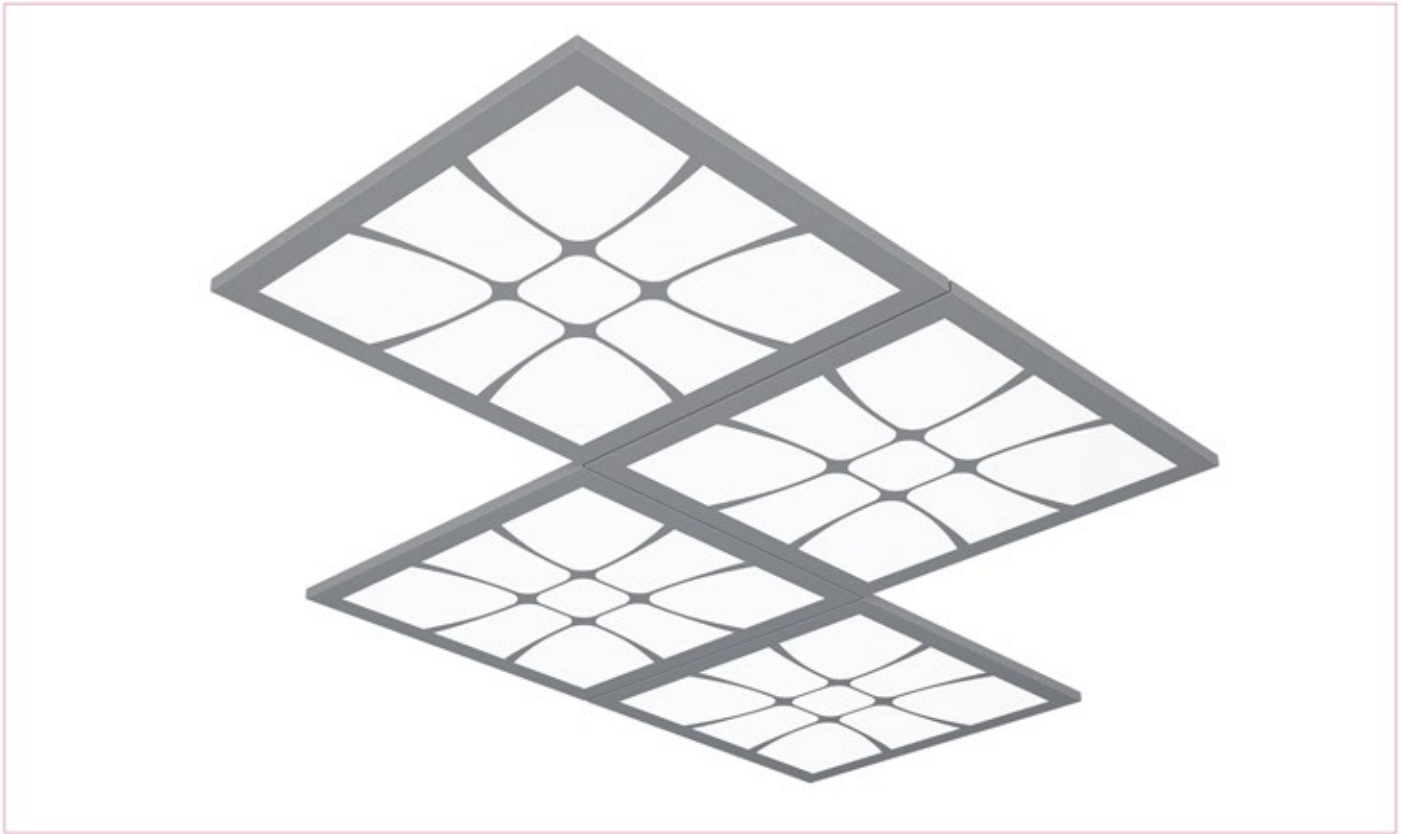
Dimensions	Mounting Hole Sizes	Weight	Photometric Diagrams
 <p>LxWxH: 595x595x60 mm</p>	 <p>L1 x W1 = 576 x 576 mm</p>	 <p>3.5kg</p>	

Product Series	Product Model	Product Code	Color Temperature	Lumen	CRI	PFC(λ)	Power	Voltage	Lifetime	Dimensions	Warranty
GRAPHY MESHY	BRONZE	AXP.GRP.0606.MSY.***.BNZ	3000 K 4500 K 6500 K	3300 lm	Ra> 80	>0.92	33 W	220-240 V @50-60 Hz	50.000 h	600x600x60 mm	2 Years
	TITANIUM	AXP.GRP.0606.MSY.***.TNM	3000 K 4500 K 6500 K	3400 lm	Ra> 85	>0.92					3 Years
	SILVER	AXP.GRP.0606.MSY.***.SLV		3500lm	Ra> 80	>0.92					2 Years
	GOLD	AXP.GRP.0606.MSY.***.GLD		3600 lm	Ra> 85	>0.92	33 W	220-240 V @50-60 Hz	50.000 h	600x600x60 mm	3 Years
	PLATINIUM	AXP.GRP.0606.MSY.***.PLT		3600 lm	Ra> 85	>0.95					3 Years

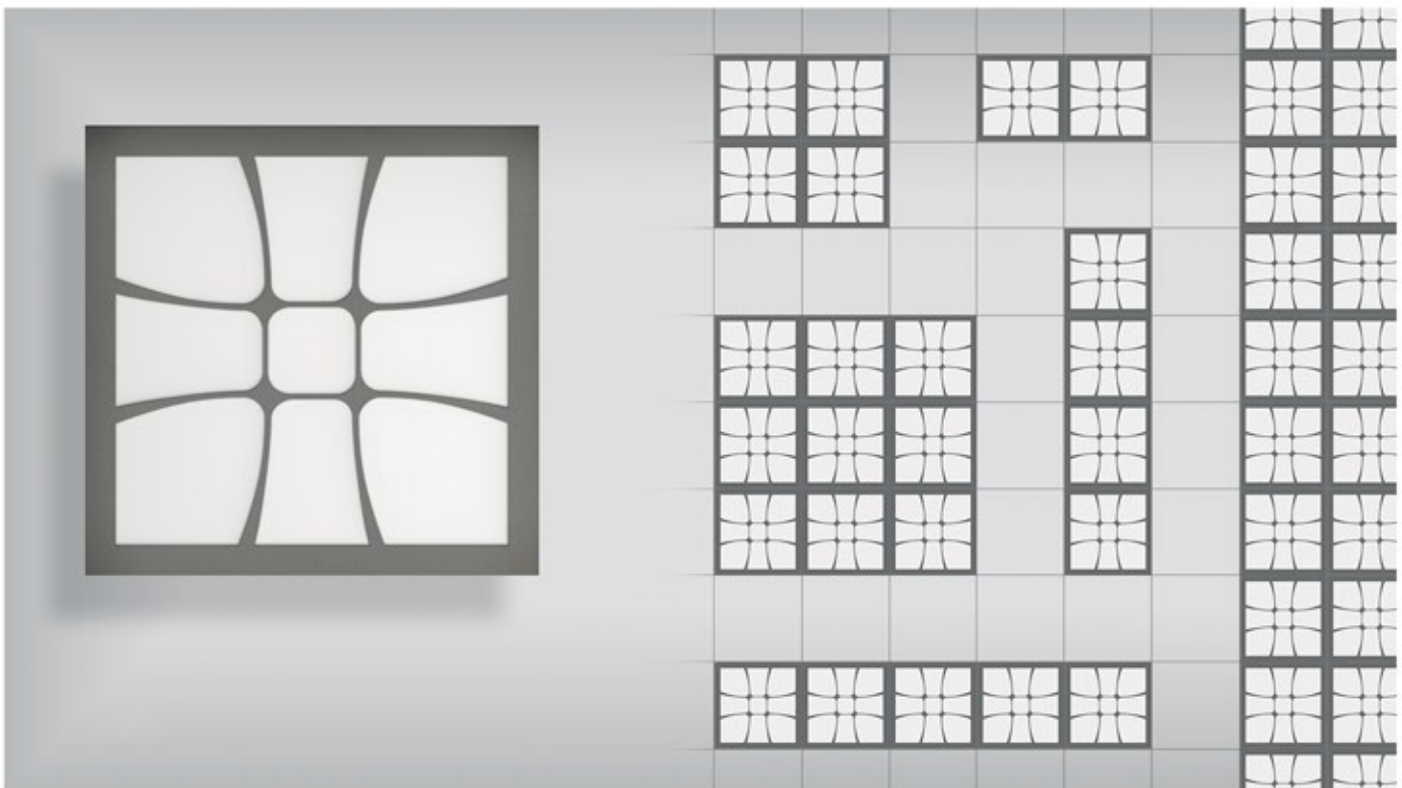
The technical datas given in this brochure are only for Lay-On mounted products.

*** Mounting Alternatives: LAY-ON, CLIP-IN, FLUSH, SURFACE MOUNTED

For more information on other models, www.okvolight.com



INTEGRATED USAGE | MESHY



ALTERNATIVE USAGES | MESHY

GRAPHY PIXY LED PANEL

Products Features

Mounting Type

LAY-ON, CLIP-IN, FLUSH or SURFACE Mounted

Body

2D Decorative Cover Design, electrostatic powder coated DKP sheet.

Diffuser

Opal diffuser with prismatic surface, providing homogeneous light

LED

≥50,000 h lifetime, high efficiency and high color quality index.

Color Temperature

Cool White, Natural White, Warm White and 3in1 CCT options

Driver

Constant current LED driver with high efficiency,

Operating Temperature

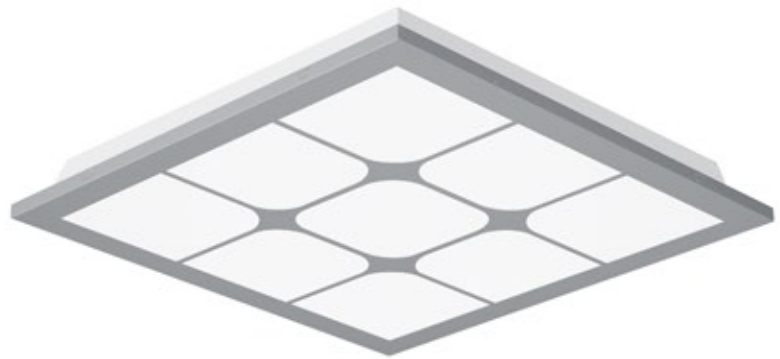
-25 °C / + 50 °C operating ambient temperature range


Dimension Alternatives

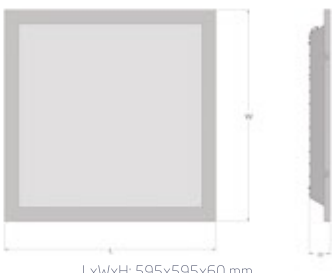
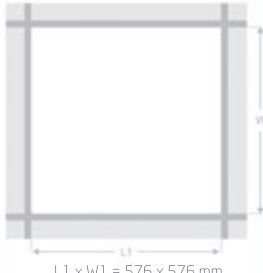

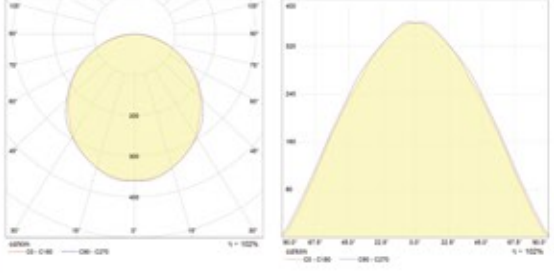
600x600 mm, 300x300 mm, 300x600 mm, 300x1200 mm , 600x1200 mm

Optional & Additional Features

- ▶ Optional Front Face Model Design
- ▶ DALI Driver Compatible
- ▶ Dimmable with DIMM Moduls
- ▶ Emergency Lighting Kit (1-3 hours)
- ▶ OKVO Smart Applications



Multi-CCT Technology	Product Benefits	Areas Of Application
 <p>Three CCT options in the one product by user controlled</p>	<ul style="list-style-type: none"> ▶ Energy savings of up to 50 % compared to conventional luminaires ▶ High luminous efficiency, very homogeneous light ▶ No IR or UV radiation ▶ Long lifetime and low maintenance costs ▶ Easy and quick installation, ▶ Compatible with the latest lighting control technology. 	<ul style="list-style-type: none"> ▶ Architectural Indoor Lighting, ▶ Offices, Corridors, Meeting Rooms, ▶ Schools, Hotels and Hospitals, ▶ Retails and Shopping Centers, ▶ Conference and Ballrooms, ▶ Enterances and Livingrooms

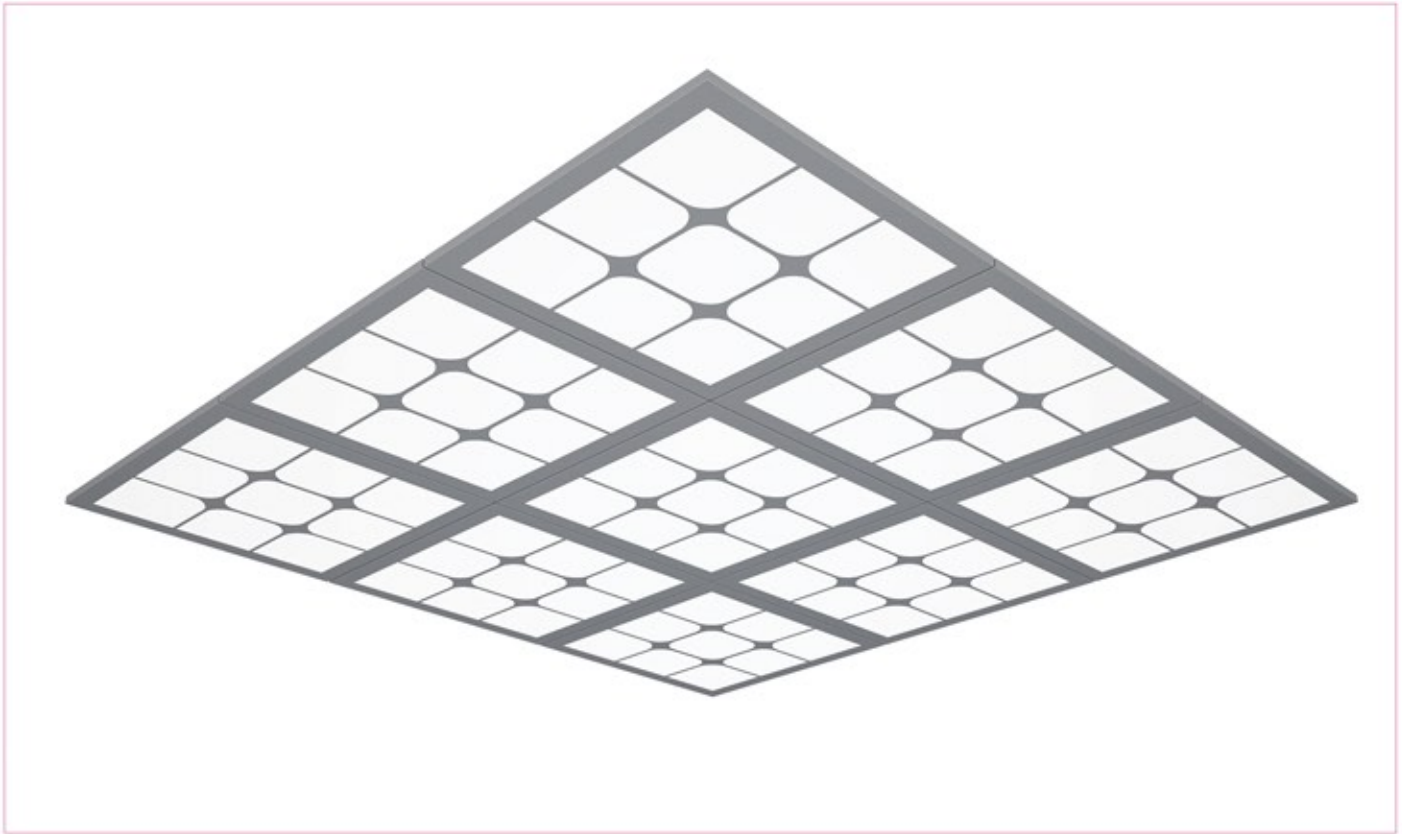
Dimensions	Mounting Hole Sizes	Weight	Photometric Diagrams
 <p>LxWxH: 595x595x60 mm</p>	 <p>L1 x W1 = 576 x 576 mm</p>	 <p>3.5kg</p>	

Product Series	Product Model	Product Code	Color Temperature	Lumen	CRI	PFC(λ)	Power	Voltage	Lifetime	Dimensions	Warranty
GRAPHY PIXY	BRONZE	AXP.GRP.0606.PXY.***.BNZ	3000 K 4500 K 6500 K	3300 lm	Ra> 80	>0.92	33 W	220-240 V @50-60 Hz	50.000 h	600x600x60 mm	2 Years
	TITANIUM	AXP.GRP.0606.PXY.***.TNM	3000 K 4500 K 6500 K	3400 lm	Ra> 85	>0.92					3 Years
	SILVER	AXP.GRP.0606.PXY.***.SLV		3500lm	Ra> 80	>0.92	33 W	220-240 V @50-60 Hz	50.000 h	600x600x60 mm	2 Years
	GOLD	AXP.GRP.0606.PXY.***.GLD		3600 lm	Ra> 85	>0.92					3 Years
	PLATINIUM	AXP.GRP.0606.PXY.***.PLT		3600 lm	Ra> 85	>0.95					3 Years

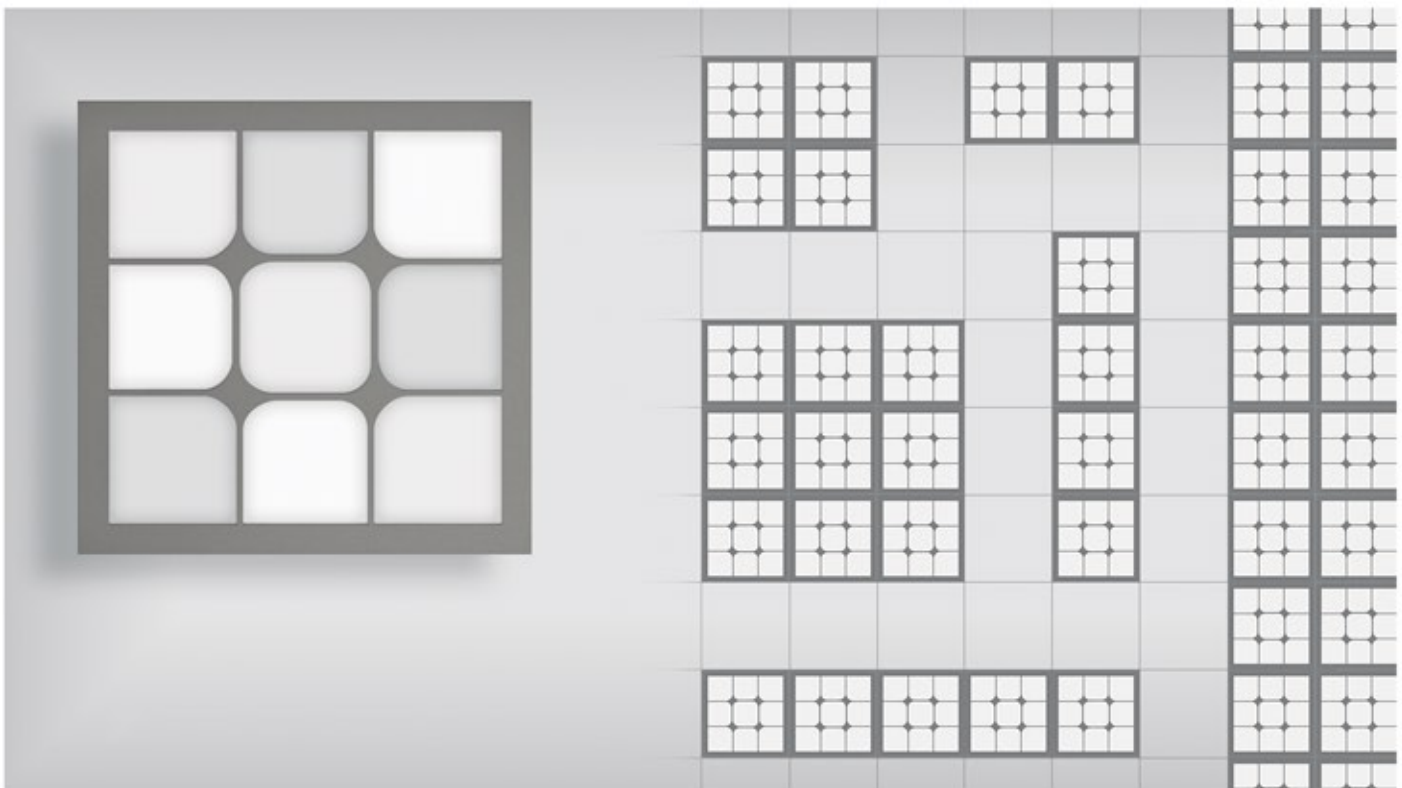
The technical datas given in this brochure are only for Lay-On mounted products.

*** Mounting Alternatives: LAY-ON, CLIP-IN, FLUSH, SURFACE MOUNTED

For more information on other models, www.okvolight.com



INTEGRATED USAGE | PIXY



ALTERNATIVE USAGES | PIXY

GRAPHY VINDER LED PANEL

Products Features

Mounting Type

LAY-ON, CLIP-IN, FLUSH or SURFACE Mounted

Body

2D Decorative Cover Design, electrostatic powder coated DKP sheet.

Diffuser

Opal diffuser with prismatic surface, providing homogeneous light

LED

≥50,000 h lifetime, high efficiency and high color quality index.

Color Temperature

Cool White, Natural White, Warm White and 3in1 CCT options

Driver

Constant current LED driver with high efficiency,

Operating Temperature

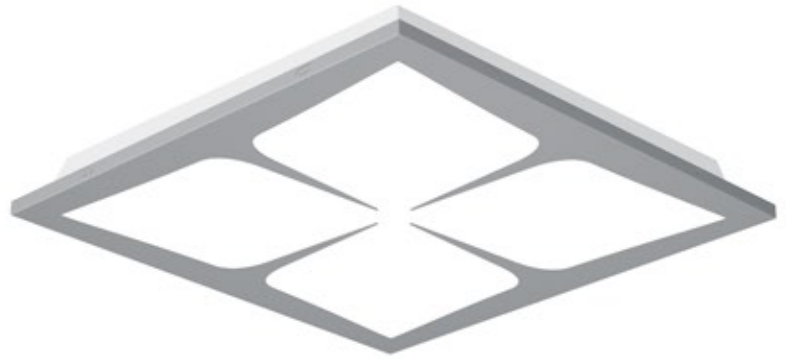
-25 °C / + 50 °C operating ambient temperature range


Dimension Alternatives

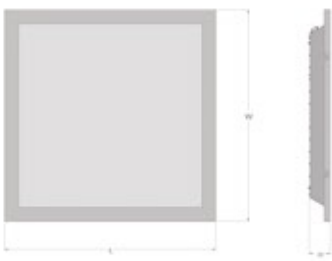
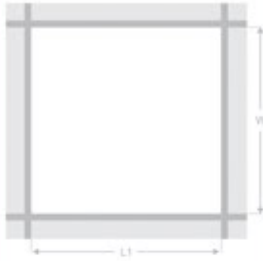

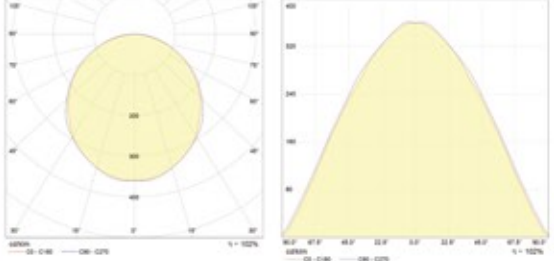
600x600 mm, 300x300 mm, 300x600 mm, 300x1200 mm , 600x1200 mm


Optional & Additional Features

- ▶ Optional Front Face Model Design
- ▶ DALI Driver Compatible
- ▶ Dimmable with DIMM Moduls
- ▶ Emergency Lighting Kit (1-3 hours)
- ▶ OKVO Smart Applications



Multi-CCT Technology	Product Benefits	Areas Of Application
 <p>Three CCT options in the one product by user controlled</p>	<ul style="list-style-type: none"> ▶ Energy savings of up to 50 % compared to conventional luminaires ▶ High luminous efficiency, very homogeneous light ▶ No IR or UV radiation ▶ Long lifetime and low maintenance costs ▶ Easy and quick installation, ▶ Compatible with the latest lighting control technology. 	<ul style="list-style-type: none"> ▶ Architectural Indoor Lighting, ▶ Offices, Corridors, Meeting Rooms, ▶ Schools, Hotels and Hospitals, ▶ Retails and Shopping Centers, ▶ Conference and Ballrooms, ▶ Enterances and Livingrooms

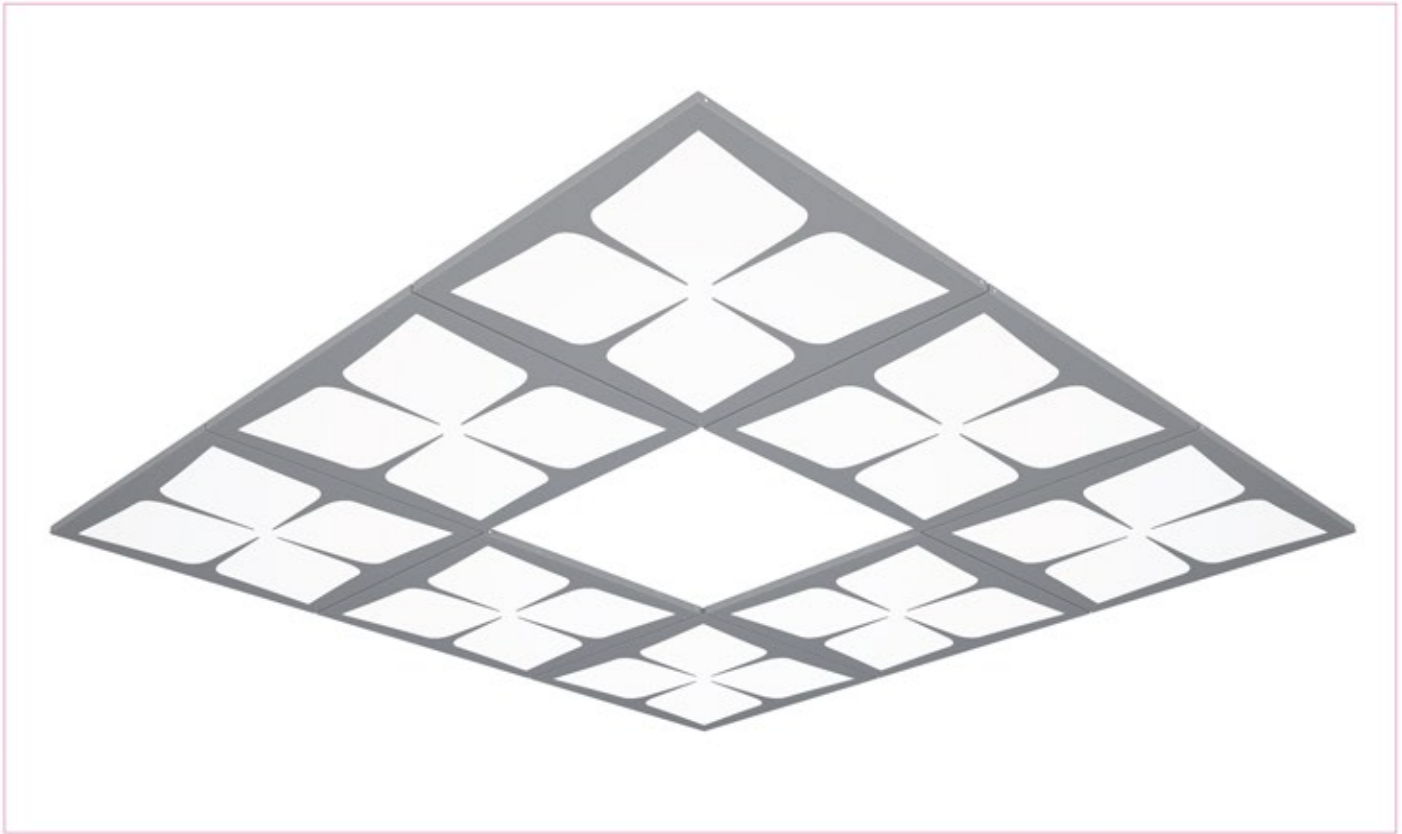
Dimensions	Mounting Hole Sizes	Weight	Photometric Diagrams
 <p>LxWxH: 595x595x60 mm</p>	 <p>L1 x W1 = 576 x 576 mm</p>	 <p>3.5kg</p>	

Product Series	Product Model	Product Code	Color Temperature	Lumen	CRI	PFC(λ)	Power	Voltage	Lifetime	Dimensions	Warranty
GRAPHY VINDER	BRONZE	AXP.GRP.0606.VND.***.BNZ	3000 K 4500 K 6500 K	3300 lm	Ra > 80	>0.92	33 W	220-240 V @50-60 Hz	50.000 h	600x600x60 mm	2 Years
	TITANIUM	AXP.GRP.0606.VND.***.TNM	3000 K 4500 K 6500 K	3400 lm	Ra > 85	>0.92					3 Years
	SILVER	AXP.GRP.0606.VND.***.SLV		3500lm	Ra > 80	>0.92	33 W	220-240 V @50-60 Hz	50.000 h	600x600x60 mm	2 Years
	GOLD	AXP.GRP.0606.VND.***.GLD		3600 lm	Ra > 85	>0.92					3 Years
	PLATINIUM	AXP.GRP.0606.VND.***.PLT		3600 lm	Ra > 85	>0.95					3 Years

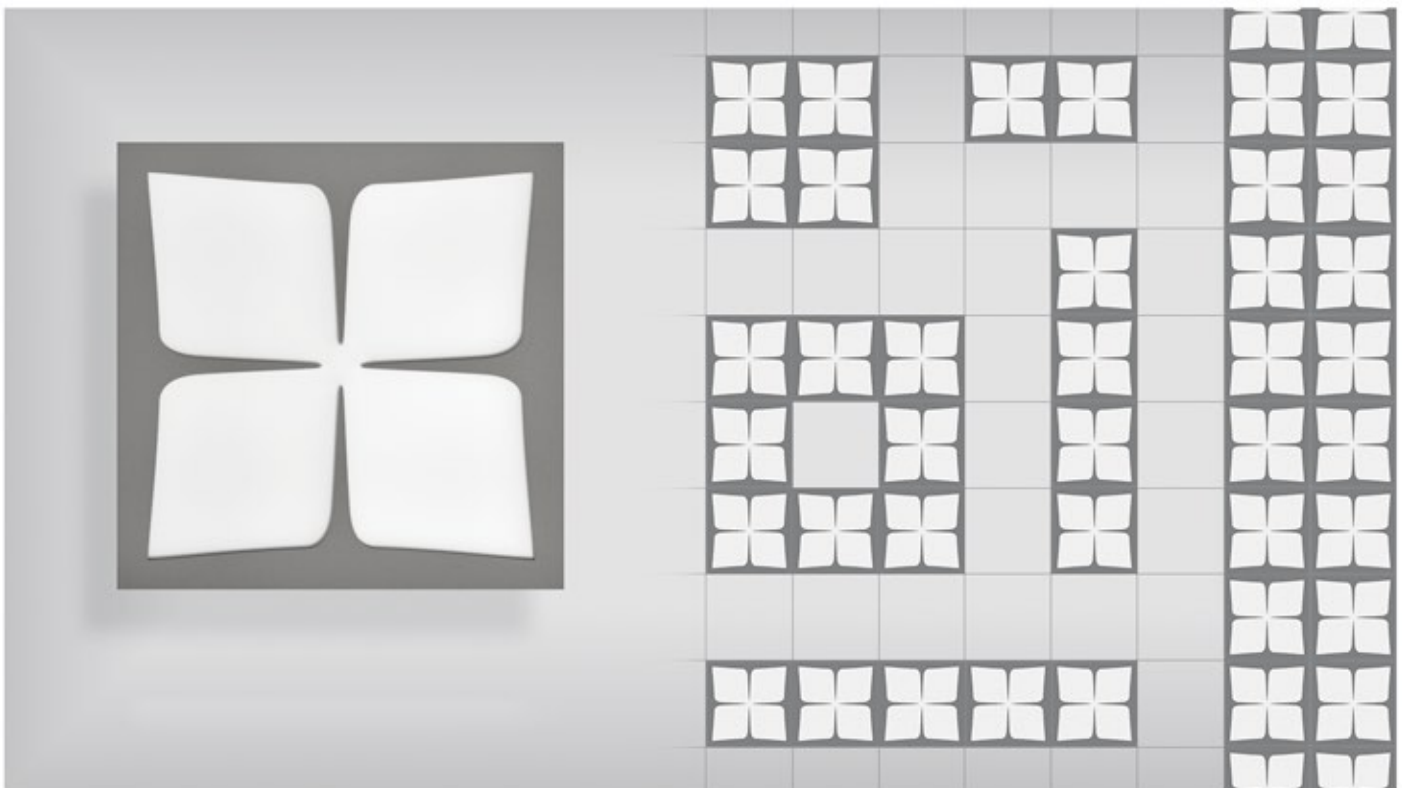
The technical datas given in this brochure are only for Lay-On mounted products.

*** Mounting Alternatives: LAY-ON, CLIP-IN, FLUSH, SURFACE MOUNTED

For more information on other models, www.okvolight.com



INTEGRATED USAGE | **VINDER**



ALTERNATIVE USAGES | **VINDER**

GRAPHY TWINKLE LED PANEL

Products Features

Mounting Type

LAY-ON, CLIP-IN, FLUSH or SURFACE Mounted

Body

2D Decorative Cover Design, electrostatic powder coated DKP sheet.

Diffuser

Opal diffuser with prismatic surface, providing homogeneous light

LED

≥50,000 h lifetime, high efficiency and high color quality index.

Color Temperature

Cool White, Natural White, Warm White and 3in1 CCT options

Driver

Constant current LED driver with high efficiency,

Operating Temperature

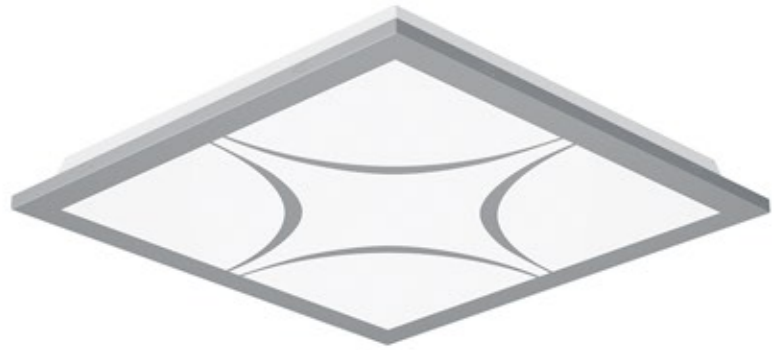
-25 °C / + 50 °C operating ambient temperature range


Dimension Alternatives

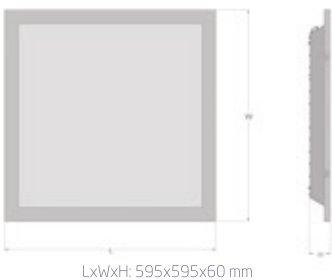
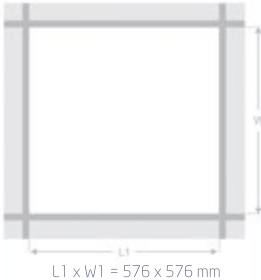

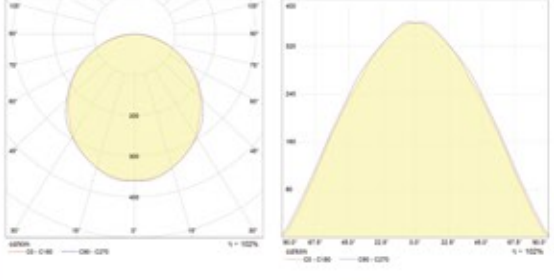
600x600 mm, 300x300 mm, 300x600 mm, 300x1200 mm , 600x1200 mm


Optional & Additional Features

- ▶ Optional Front Face Model Design
- ▶ DALI Driver Compatible
- ▶ Dimmable with DIMM Moduls
- ▶ Emergency Lighting Kit (1-3 hours)
- ▶ OKVO Smart Applications



Multi-CCT Technology	Product Benefits	Areas Of Application
 <p>Three CCT options in the one product by user controlled</p>	<ul style="list-style-type: none"> ▶ Energy savings of up to 50 % compared to conventional luminaires ▶ High luminous efficiency, very homogeneous light ▶ No IR or UV radiation ▶ Long lifetime and low maintenance costs ▶ Easy and quick installation, ▶ Compatible with the latest lighting control technology. 	<ul style="list-style-type: none"> ▶ Architectural Indoor Lighting, ▶ Offices, Corridors, Meeting Rooms, ▶ Schools, Hotels and Hospitals, ▶ Retails and Shopping Centers, ▶ Conference and Ballrooms, ▶ Enterances and Livingrooms

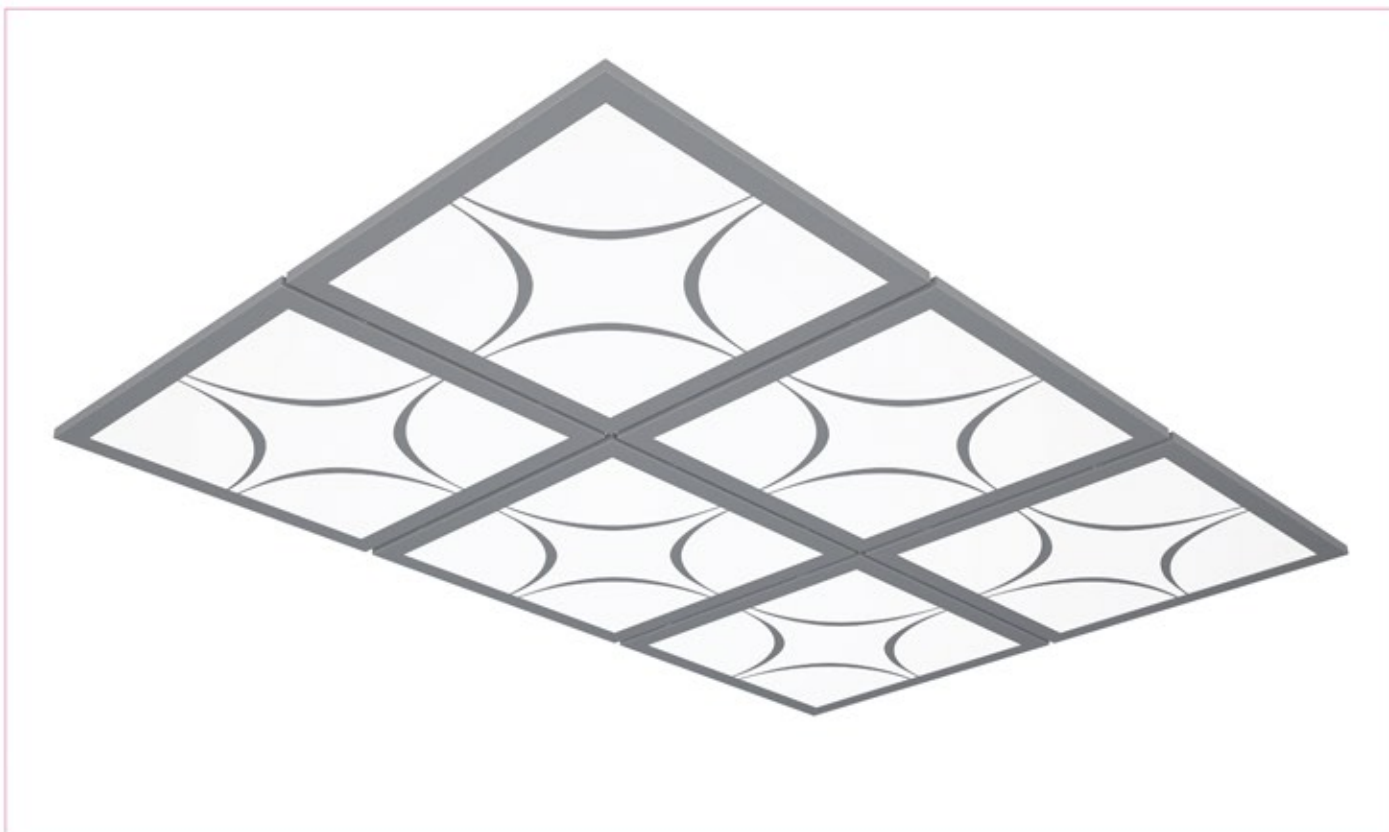
Dimensions	Mounting Hole Sizes	Weight	Photometric Diagrams
 <p>LxWxH: 595x595x60 mm</p>	 <p>L1 x W1 = 576 x 576 mm</p>	 <p>3.5kg</p>	

Product Series	Product Model	Product Code	Color Temperature	Lumen	CRI	PFC(λ)	Power	Voltage	Lifetime	Dimensions	Warranty
GRAPHY TWINKLE	BRONZE	AXP.GRP.0606.TWK.***.BNZ	3000 K 4500 K 6500 K	3300 lm	Ra> 80	>0.92	33 W	220-240 V @50-60 Hz	50.000 h	600x600x60 mm	2 Years
	TITANIUM	AXP.GRP.0606.TWK.***.TNM	3000 K 4500 K 6500 K	3400 lm	Ra> 85	>0.92					3 Years
	SILVER	AXP.GRP.0606.TWK.***.SLV		3500lm	Ra> 80	>0.92					2 Years
	GOLD	AXP.GRP.0606.TWK.***.GLD		3600 lm	Ra> 85	>0.92	33 W	220-240 V @50-60 Hz	50.000 h	600x600x60 mm	3 Years
	PLATINIUM	AXP.GRP.0606.TWK.***.PLT		3600 lm	Ra> 85	>0.95					3 Years

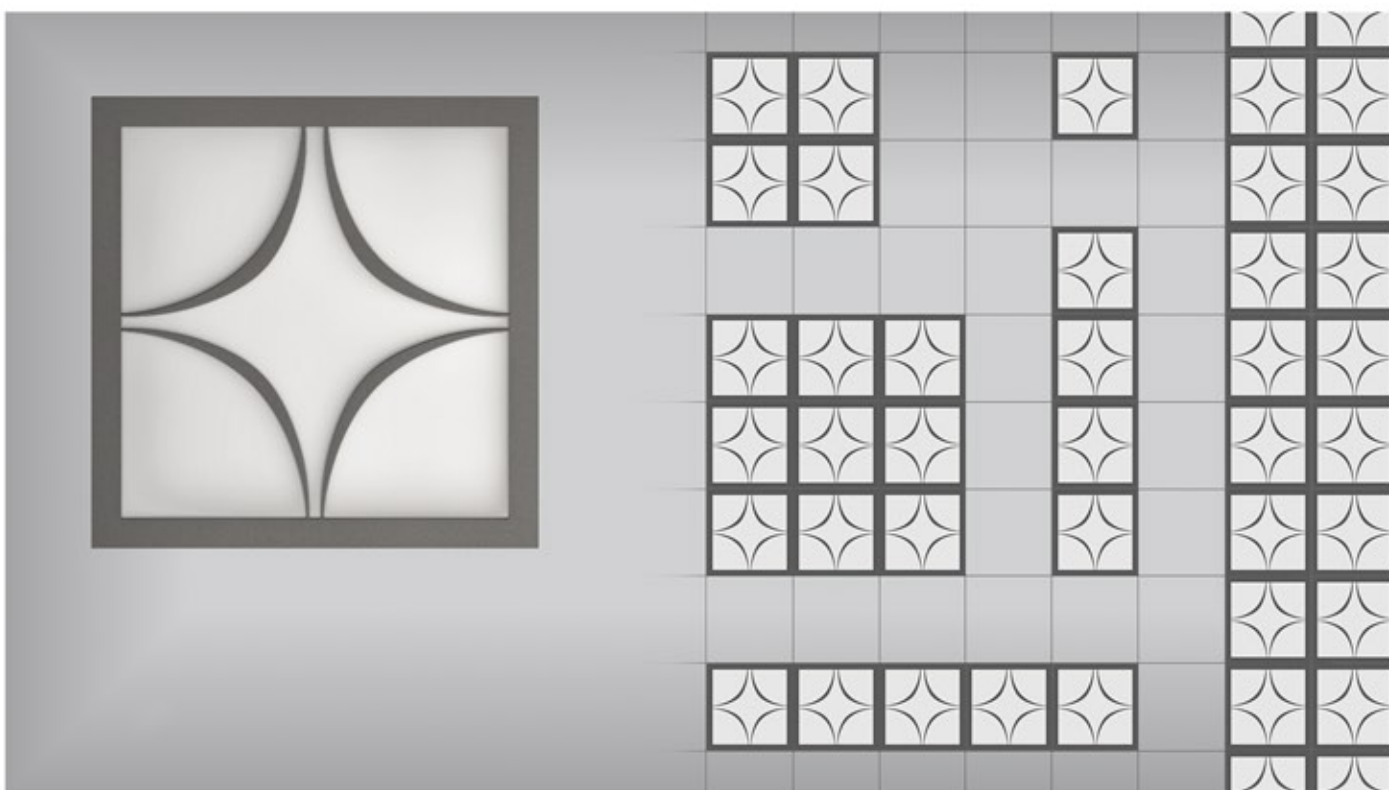
The technical datas given in this brochure are only for Lay-On mounted products.

*** Mounting Alternatives: LAY-ON, CLIP-IN, FLUSH, SURFACE MOUNTED

For more information on other models, www.okvolight.com



INTEGRATED USAGE | TWINKLE



ALTERNATIVE USAGES | TWINKLE

GRAPHY FI LED PANEL

Products Features

Mounting Type

LAY-ON, CLIP-IN, FLUSH or SURFACE Mounted

Body

2D Decorative Cover Design, electrostatic powder coated DKP sheet.

Diffuser

Opal diffuser with prismatic surface, providing homogeneous light

LED

≥50,000 h lifetime, high efficiency and high color quality index.

Color Temperature

Cool White, Natural White, Warm White and 3in1 CCT options

Driver

Constant current LED driver with high efficiency,

Operating Temperature

-25 °C / + 50 °C operating ambient temperature range


Dimension Alternatives

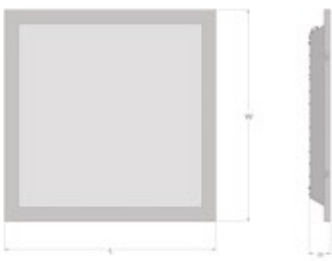
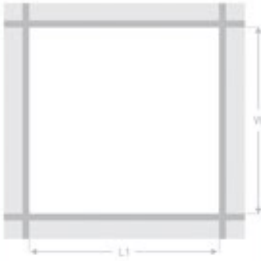

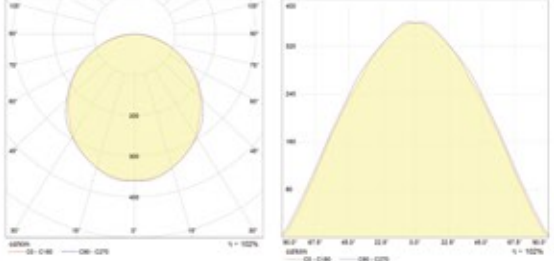
600x600 mm, 300x300 mm, 300x600 mm, 300x1200 mm , 600x1200 mm


Optional & Additional Features

- ▶ Optional Front Face Model Design
- ▶ DALI Driver Compatible
- ▶ Dimmable with DIMM Moduls
- ▶ Emergency Lighting Kit (1-3 hours)
- ▶ OKVO Smart Applications



Multi-CCT Technology	Product Benefits	Areas Of Application
 <p>Three CCT options in the one product by user controlled</p>	<ul style="list-style-type: none"> ▶ Energy savings of up to 50 % compared to conventional luminaires ▶ High luminous efficiency, very homogeneous light ▶ No IR or UV radiation ▶ Long lifetime and low maintenance costs ▶ Easy and quick installation, ▶ Compatible with the latest lighting control technology. 	<ul style="list-style-type: none"> ▶ Architectural Indoor Lighting, ▶ Offices, Corridors, Meeting Rooms, ▶ Schools, Hotels and Hospitals, ▶ Retails and Shopping Centers, ▶ Conference and Ballrooms, ▶ Enterances and Livingrooms

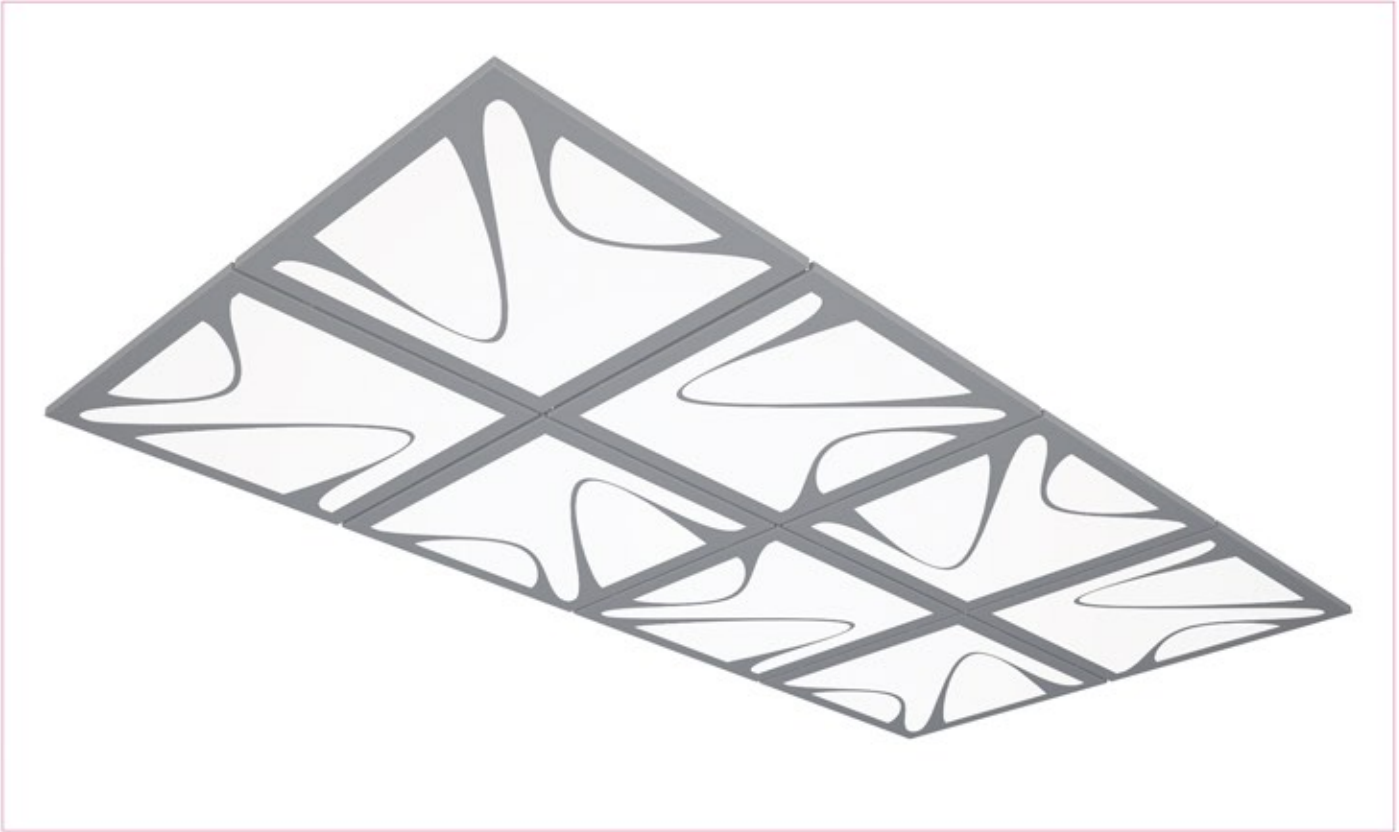
Dimensions	Mounting Hole Sizes	Weight	Photometric Diagrams
 <p>LxWxH: 595x595x60 mm</p>	 <p>L1 x W1 = 576 x 576 mm</p>	 <p>3.5kg</p>	

Product Series	Product Model	Product Code	Color Temperature	Lumen	CRI	PFC(λ)	Power	Voltage	Lifetime	Dimensions	Warranty
GRAPHY FI	BRONZE	AXP.GRP.0606.XFI.**.BNZ	3000 K 4500 K 6500 K	3300 lm	Ra > 80	>0.92	33 W	220-240 V @50-60 Hz	50.000 h	600x600x60 mm	2 Years
	TITANIUM	AXP.GRP.0606.XFI.**.TNM	3000 K 4500 K 6500 K	3400 lm	Ra > 85	>0.92					3 Years
	SILVER	AXP.GRP.0606.XFI.**.SLV		3500lm	Ra > 80	>0.92					2 Years
	GOLD	AXP.GRP.0606.XFI.**.GLD		3600 lm	Ra > 85	>0.92	33 W	220-240 V @50-60 Hz	50.000 h	600x600x60 mm	3 Years
	PLATINIUM	AXP.GRP.0606.XFI.**.PLT		3600 lm	Ra > 85	>0.95					3 Years

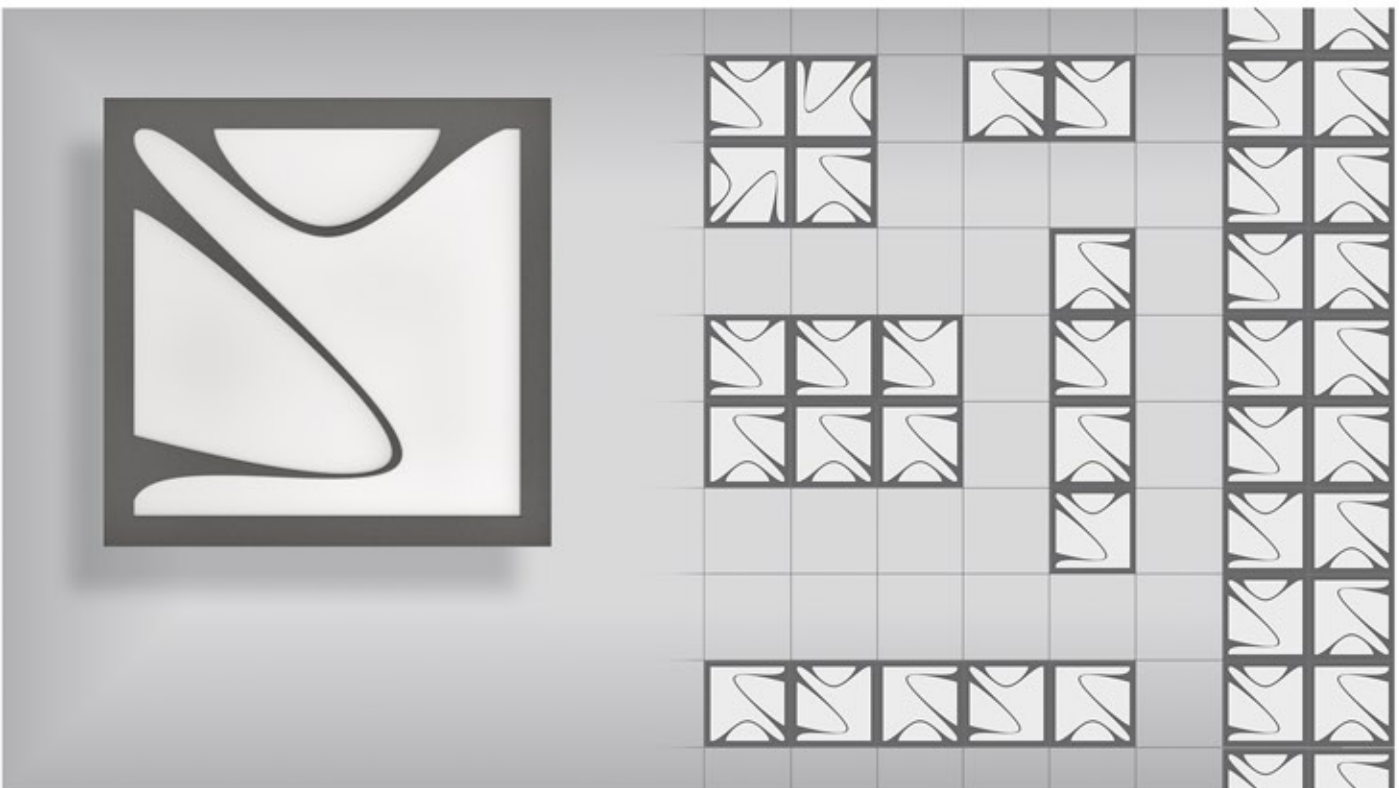
The technical datas given in this brochure are only for Lay-On mounted products.

*** Mounting Alternatives: LAY-ON, CLIP-IN, FLUSH, SURFACE MOUNTED

For more information on other models, www.okvolight.com



INTEGRATED USAGE | FI



ALTERNATIVE USAGES | FI

GRAPHY CI LED PANEL

Products Features

Mounting Type

LAY-ON, CLIP-IN, FLUSH or SURFACE Mounted

Body

2D Decorative Cover Design, electrostatic powder coated DKP sheet.

Diffuser

Opal diffuser with prismatic surface, providing homogeneous light

LED

≥50,000 h lifetime, high efficiency and high color quality index.

Color Temperature

Cool White, Natural White, Warm White and 3in1 CCT options

Driver

Constant current LED driver with high efficiency,

Operating Temperature

-25 °C / + 50 °C operating ambient temperature range


Dimension Alternatives

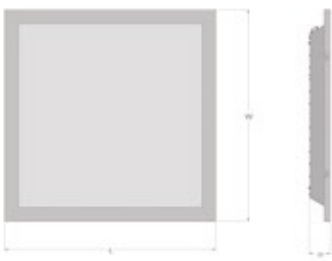
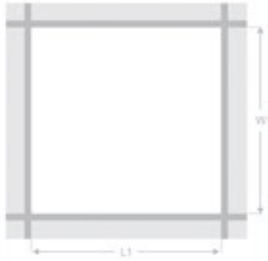

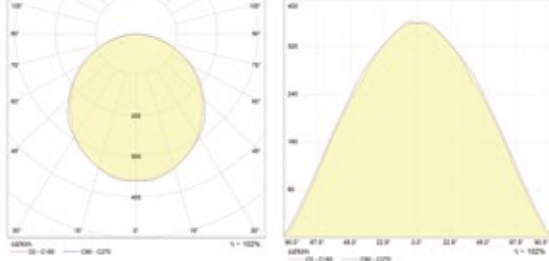
600x600 mm, 300x300 mm, 300x600 mm, 300x1200 mm , 600x1200 mm


Optional & Additional Features

- ▶ Optional Front Face Model Design
- ▶ DALI Driver Compatible
- ▶ Dimmable with DIMM Moduls
- ▶ Emergency Lighting Kit (1-3 hours)
- ▶ OKVO Smart Applications



Multi-CCT Technology	Product Benefits	Areas Of Application
 <p>Three CCT options in the one product by user controlled</p>	<ul style="list-style-type: none"> ▶ Energy savings of up to 50 % compared to conventional luminaires ▶ High luminous efficiency, very homogeneous light ▶ No IR or UV radiation ▶ Long lifetime and low maintenance costs ▶ Easy and quick installation, ▶ Compatible with the latest lighting control technology. 	<ul style="list-style-type: none"> ▶ Architectural Indoor Lighting, ▶ Offices, Corridors, Meeting Rooms, ▶ Schools, Hotels and Hospitals, ▶ Retails and Shopping Centers, ▶ Conference and Ballrooms, ▶ Enterances and Livingrooms

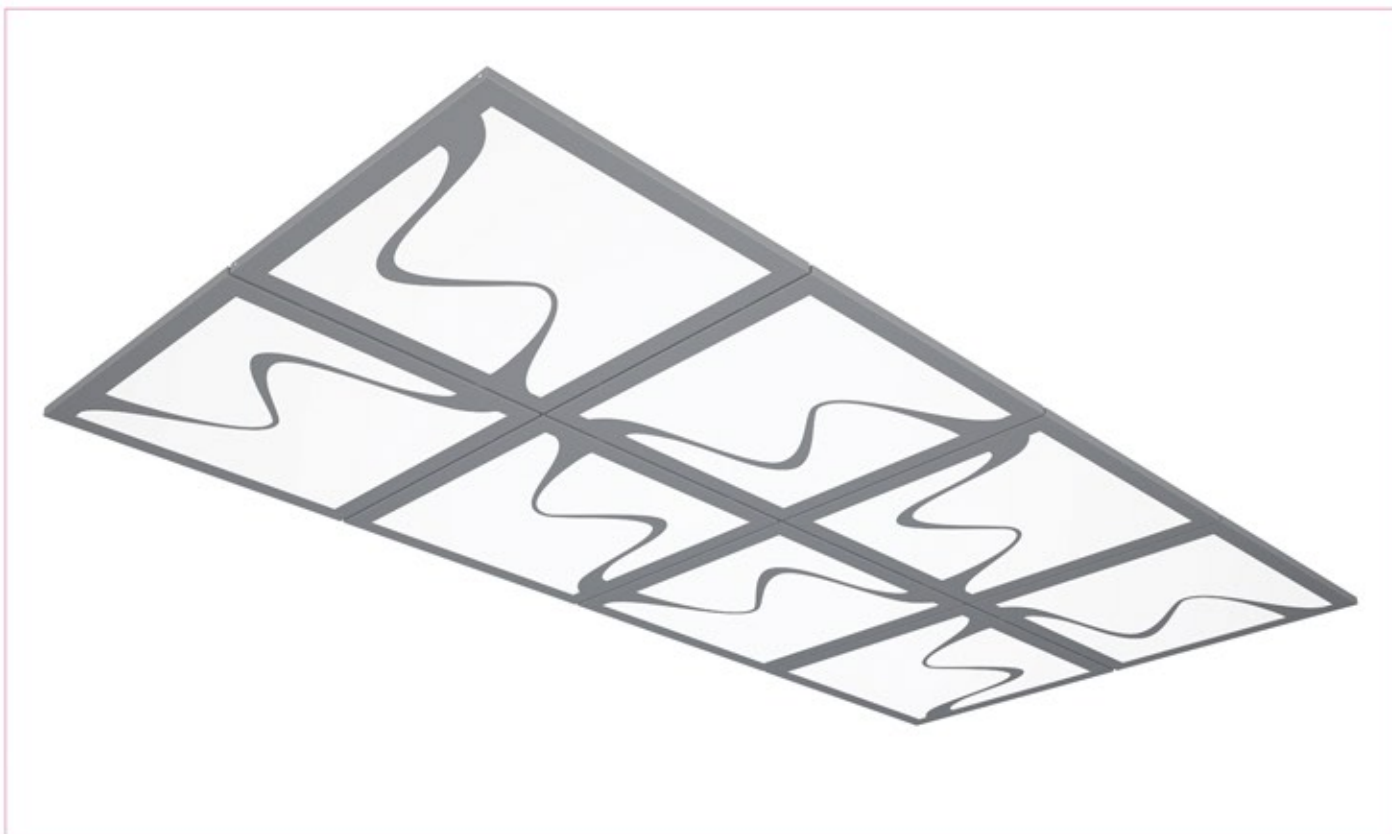
Dimensions	Mounting Hole Sizes	Weight	Photometric Diagrams
 <p>LxWxH: 595x595x60 mm</p>	 <p>L1 x W1 = 576 x 576 mm</p>	 <p>3.5kg</p>	

Product Series	Product Model	Product Code	Color Temperature	Lumen	CRI	PFC(λ)	Power	Voltage	Lifetime	Dimensions	Warranty
GRAPHY CI	BRONZE	AXP.GRP.0606.XCI.***.BNZ	3000 K 4500 K 6500 K	3300 lm	Ra > 80	>0.92	33 W	220-240 V @50-60 Hz	50.000 h	600x600x60 mm	2 Years
	TITANIUM	AXP.GRP.0606.XCI.***.TNM	3000 K 4500 K 6500 K	3400 lm	Ra > 85	>0.92					3 Years
	SILVER	AXP.GRP.0606.XCI.***.SLV		3500lm	Ra > 80	>0.92					2 Years
	GOLD	AXP.GRP.0606.XCI.***.GLD		3600 lm	Ra > 85	>0.92	33 W	220-240 V @50-60 Hz	50.000 h	600x600x60 mm	3 Years
	PLATINIUM	AXP.GRP.0606.XCI.***.PLT		3600 lm	Ra > 85	>0.95					3 Years

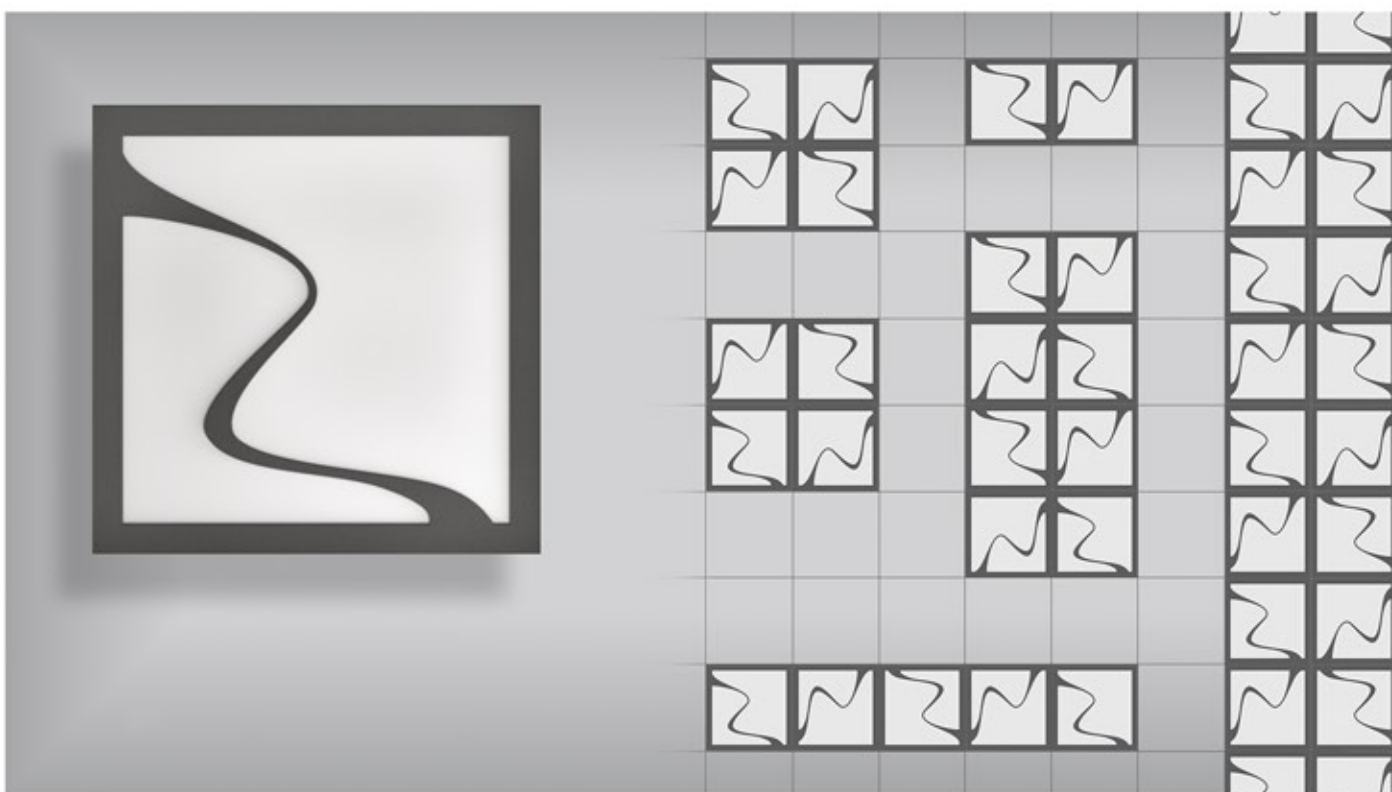
The technical datas given in this brochure are only for Lay-On mounted products.

*** Mounting Alternatives: LAY-ON, CLIP-IN, FLUSH, SURFACE MOUNTED

For more information on other models, www.okvolight.com



INTEGRATED USAGE | CI



ALTERNATIVE USAGES | CI

okvolight®

Mimarsinan Organize Sanayi Bölgesi
Kastim Cad. No:22/B Kayseri / TURKEY
T : +90 352 228 00 28
F : +90 352 228 00 29

© 2018, Okvolight. All rights reserved.

We reserve the right to change specifications, product descriptions, product quality, pricing and application at any time without prior written or oral notice.

okvolight®

Technology Inside



POLY SERIES

➤ 3D DECORATIVE
PANEL LUMINAIRES

POLY EAVES LED PANEL

Products Features

Mounting Type

LAY-ON, CLIP-IN, FLUSH or SURFACE Mounted

Body

3D Decorative Cover Design, electrostatic powder coated DKP sheet.

Diffuser

Opal diffuser with prismatic surface, providing homogeneous light

LED

≥50,000 h lifetime, high efficiency and high color quality index.

Color Temperature

Cool White, Natural White, Warm White and 3in1 CCT options

Driver

Constant current LED driver with high efficiency,

Operating Temperature

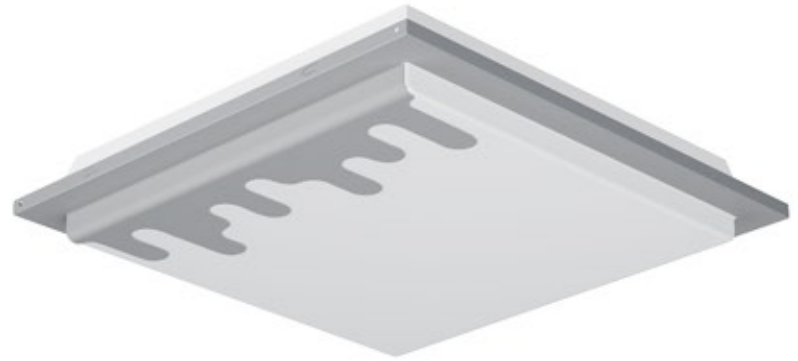
-25 °C / + 50 °C operating ambient temperature range

Dimension Alternatives

600x600 mm, 600x1200 mm

Optional & Additional Features

- ▶ DALI Driver Compatible
- ▶ Dimmable with DIMM Moduls
- ▶ Emergency Lighting Kit (1-3 hours)
- ▶ OKVO Smart Applications



Multi-CCT Technology	Product Benefits	Areas Of Application
<p>Three CCT options in the one product by user controlled</p>	<ul style="list-style-type: none"> ▶ Energy savings of up to 50 % compared to conventional luminaires ▶ High luminous efficiency, very homogeneous light ▶ No IR or UV radiation ▶ Long lifetime and low maintenance costs ▶ Easy and quick installation, ▶ Compatible with the latest lighting control technology. 	<ul style="list-style-type: none"> ▶ Architectural Indoor Lighting, ▶ Offices, Corridors, Meeting Rooms, ▶ Schools, Hotels and Hospitals, ▶ Retails and Shopping Centers, ▶ Conference and Ballrooms, ▶ Enterances and Livingrooms

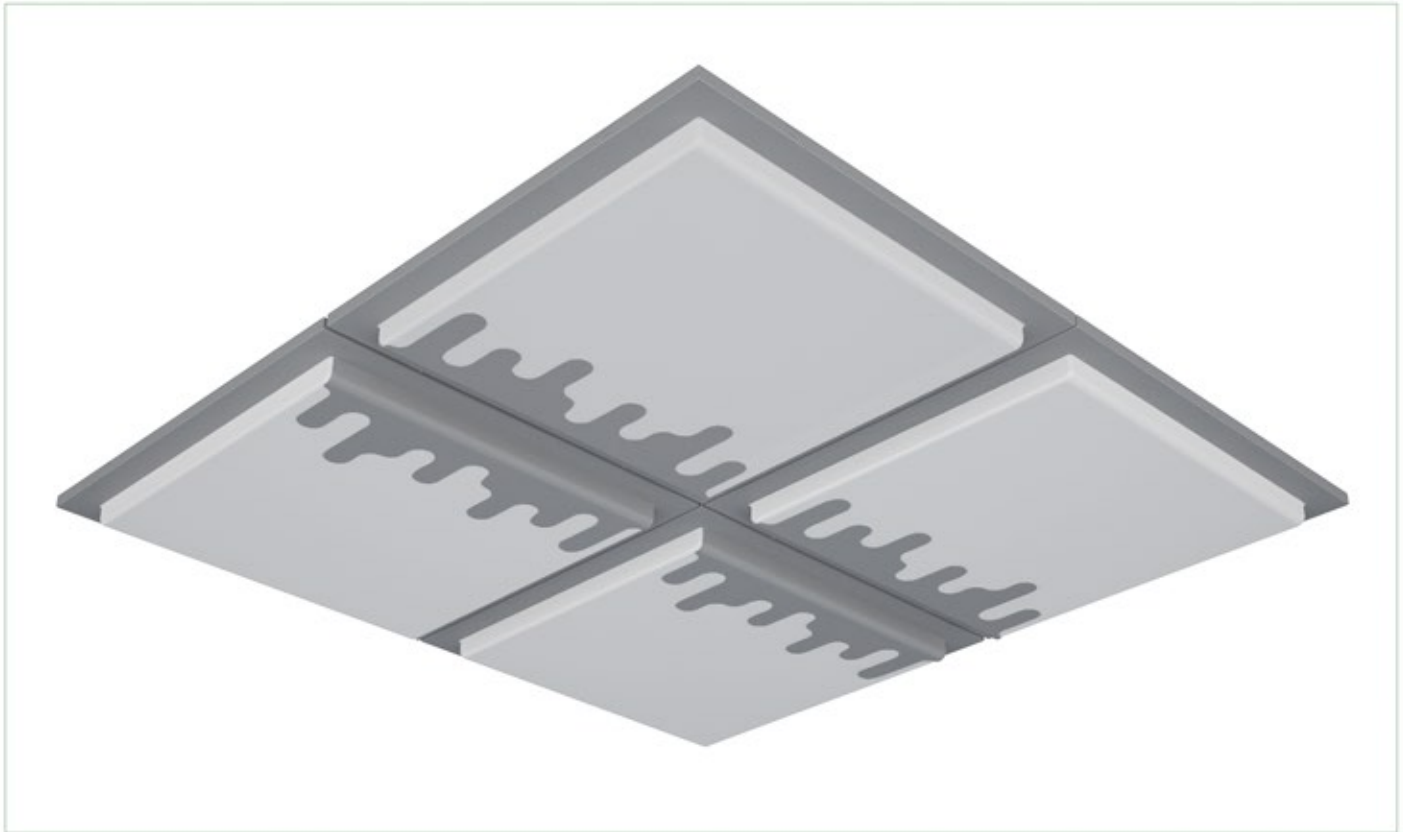
Dimensions	Mounting Hole Sizes	Weight	Photometric Diagrams
<p>LxWxH: 595x595x60 mm</p>	<p>L1 x W1 = 576 x 576 mm</p>	<p>4.5kg</p>	

Product Series	Product Model	Product Code	Color Temperature	Lumen	CRI	PFC(λ)	Power	Voltage	Lifetime	Dimensions	Warranty
POLY EAVES	BRONZE	AXP.PLY.0606.EVS.***.BNZ	3000 K 4500 K 6500 K	3300 lm	Ra > 80	>0.92	33 W	220-240 V @50-60 Hz	50.000 h	595x595x60 mm	2 Years
	TITANIUM	AXP.PLY.0606.EVS.***.TNM	3000 K 4500 K 6500 K	3400 lm	Ra > 85	>0.92	33 W	220-240 V @50-60 Hz	50.000 h	595x595x60 mm	3 Years
	SILVER	AXP.PLY.0606.EVS.***.SLV	3000 K 4500 K 6500 K	3500 lm	Ra > 80	>0.92	33 W	220-240 V @50-60 Hz	50.000 h	595x595x60 mm	2 Years
	GOLD	AXP.PLY.0606.EVS.***.GLD	3000 K 4500 K 6500 K	3600 lm	Ra > 85	>0.92	33 W	220-240 V @50-60 Hz	50.000 h	595x595x60 mm	3 Years
	PLATINIUM	AXP.PLY.0606.EVS.***.PLT	3000 K 4500 K 6500 K	3600 lm	Ra > 85	>0.95	33 W	220-240 V @50-60 Hz	50.000 h	595x595x60 mm	3 Years

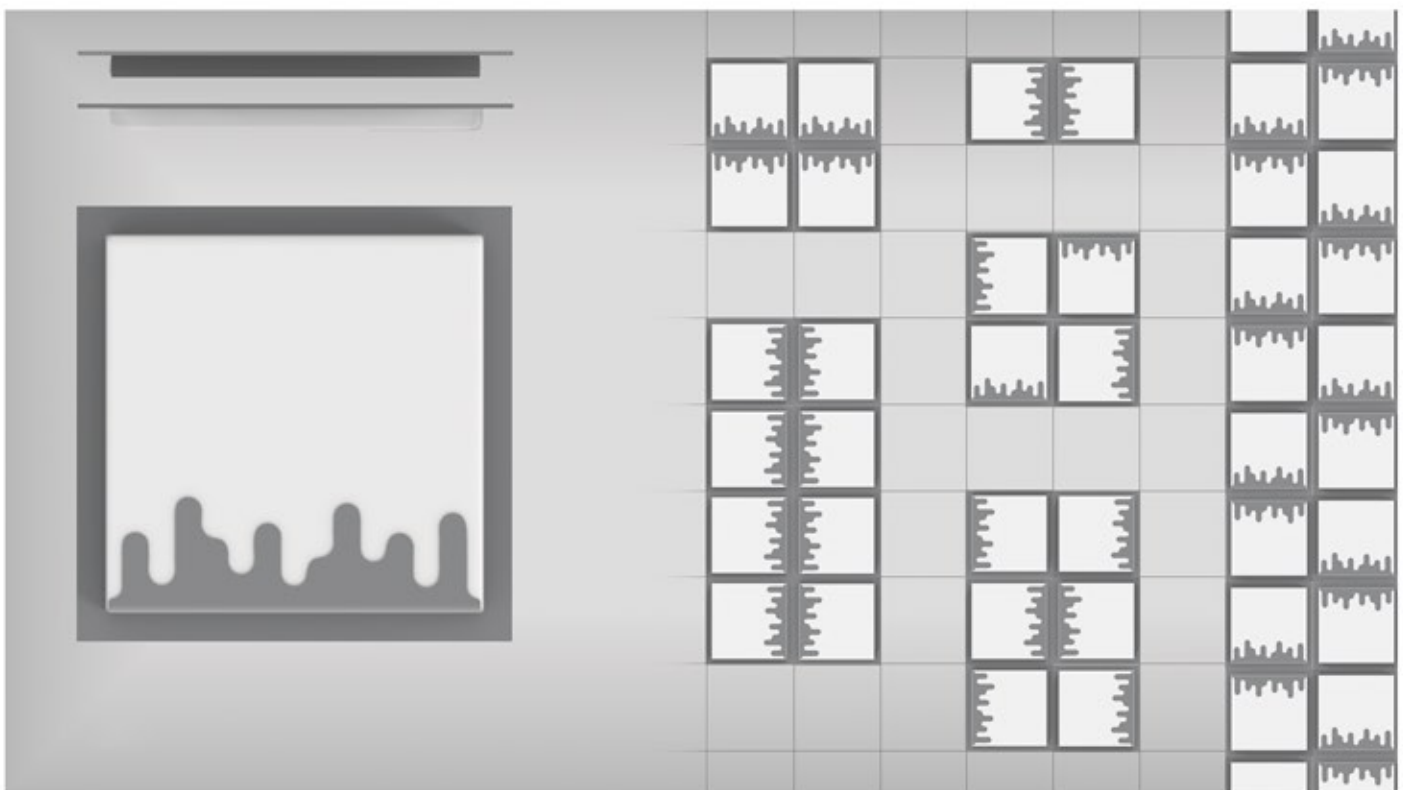
*** Mounting Alternatives: LAY-ON, CLIP-IN, FLUSH, SURFACE MOUNTED

The technical datas given in this brochure are only for Lay-On mounted products.

For more information on other models, www.okvolight.com



INTEGRATED USAGE | EAVES



ALTERNATIVE USAGES | EAVES

POLY SPARKY LED PANEL

Products Features

Mounting Type

LAY-ON, CLIP-IN, FLUSH or SURFACE Mounted

Body

3D Decorative Cover Design, electrostatic powder coated DKP sheet.

Diffuser

Opal diffuser with prismatic surface, providing homogeneous light

LED

≥50,000 h lifetime, high efficiency and high color quality index.

Color Temperature

Cool White, Natural White, Warm White and 3in1 CCT options

Driver

Constant current LED driver with high efficiency,

Operating Temperature

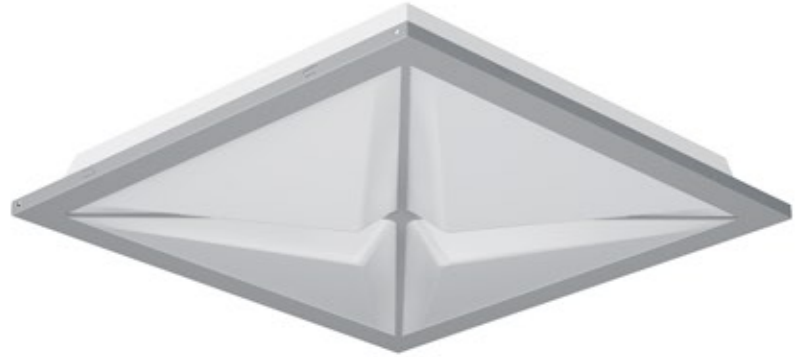
-25 °C / + 50 °C operating ambient temperature range

Dimension Alternatives

600x600 mm, 600x1200 mm

Optional & Additional Features

- ▶ DALI Driver Compatible
- ▶ Dimmable with DIMM Moduls
- ▶ Emergency Lighting Kit (1-3 hours)
- ▶ OKVO Smart Applications



Multi-CCT Technology	Product Benefits	Areas Of Application
<p>Three CCT options in the one product by user controlled</p>	<ul style="list-style-type: none"> ▶ Energy savings of up to 50 % compared to conventional luminaires ▶ High luminous efficiency, very homogeneous light ▶ No IR or UV radiation ▶ Long lifetime and low maintenance costs ▶ Easy and quick installation, ▶ Compatible with the latest lighting control technology. 	<ul style="list-style-type: none"> ▶ Architectural Indoor Lighting, ▶ Offices, Corridors, Meeting Rooms, ▶ Schools, Hotels and Hospitals, ▶ Retails and Shopping Centers, ▶ Conference and Ballrooms, ▶ Enterances and Livingrooms

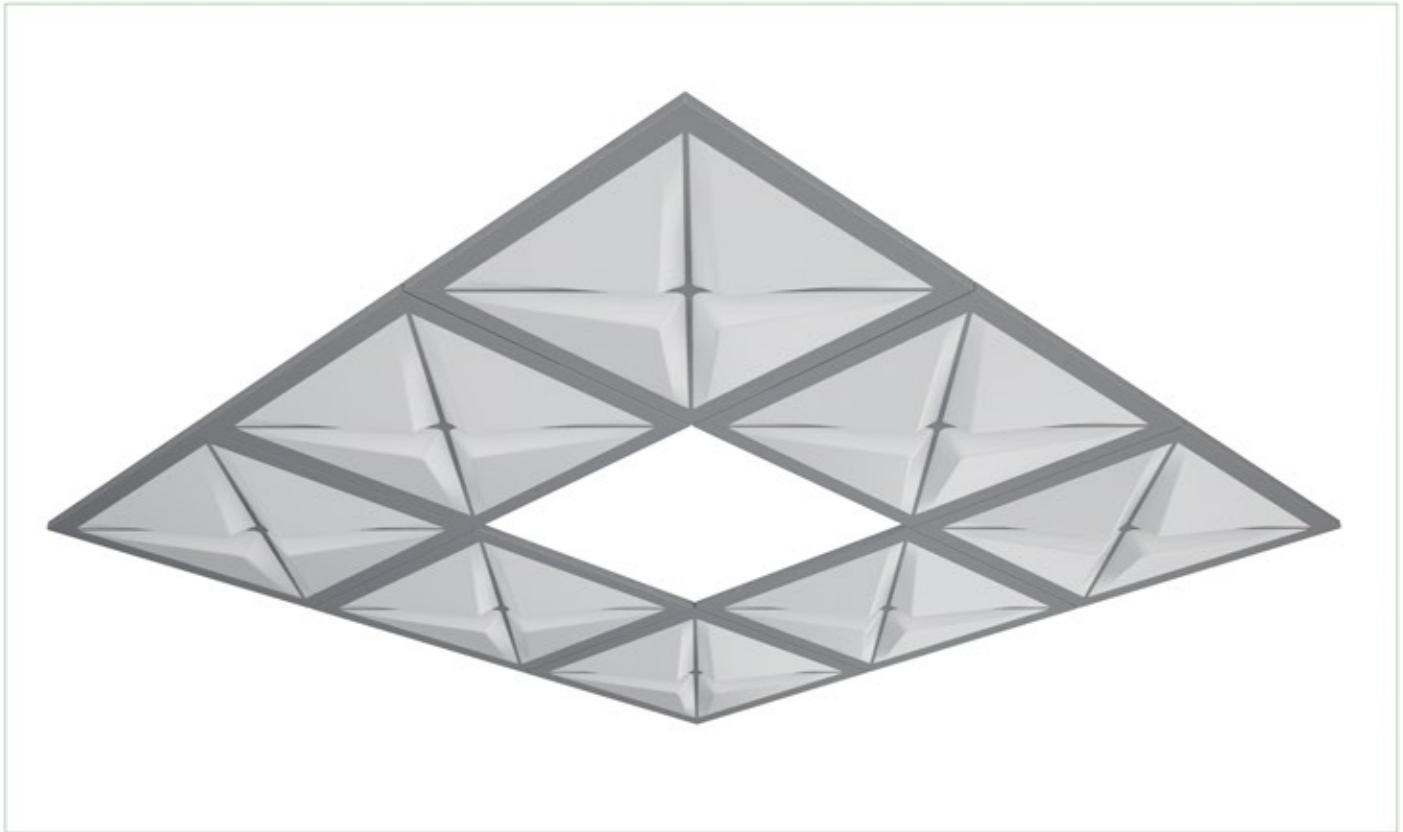
Dimensions	Mounting Hole Sizes	Weight	Photometric Diagrams
<p>LxWxH: 595x595x60 mm</p>	<p>L1 x W1 = 576 x 576 mm</p>	<p>4.5kg</p>	

Product Series	Product Model	Product Code	Color Temperature	Lumen	CRI	PFC(λ)	Power	Voltage	Lifetime	Dimensions	Warranty
POLY SPARKY	BRONZE	AXP.PLY.0606.SPK.***.BNZ	3000 K 4500 K 6500 K	3300 lm	Ra > 80	>0.92	33 W	220-240 V @50-60 Hz	50.000 h	595x595x60 mm	2 Years
	TITANIUM	AXP.PLY.0606.SPK.***.TNM	3000 K 4500 K 6500 K	3400 lm	Ra > 85	>0.92	33 W	220-240 V @50-60 Hz	50.000 h	595x595x60 mm	3 Years
	SILVER	AXP.PLY.0606.SPK.***.SLV	3000 K 4500 K 6500 K	3500 lm	Ra > 80	>0.92	33 W	220-240 V @50-60 Hz	50.000 h	595x595x60 mm	2 Years
	GOLD	AXP.PLY.0606.SPK.***.GLD	3000 K 4500 K 6500 K	3600 lm	Ra > 85	>0.92	33 W	220-240 V @50-60 Hz	50.000 h	595x595x60 mm	3 Years
	PLATINIUM	AXP.PLY.0606.SPK.***.PLT	3000 K 4500 K 6500 K	3600 lm	Ra > 85	>0.95	33 W	220-240 V @50-60 Hz	50.000 h	595x595x60 mm	3 Years

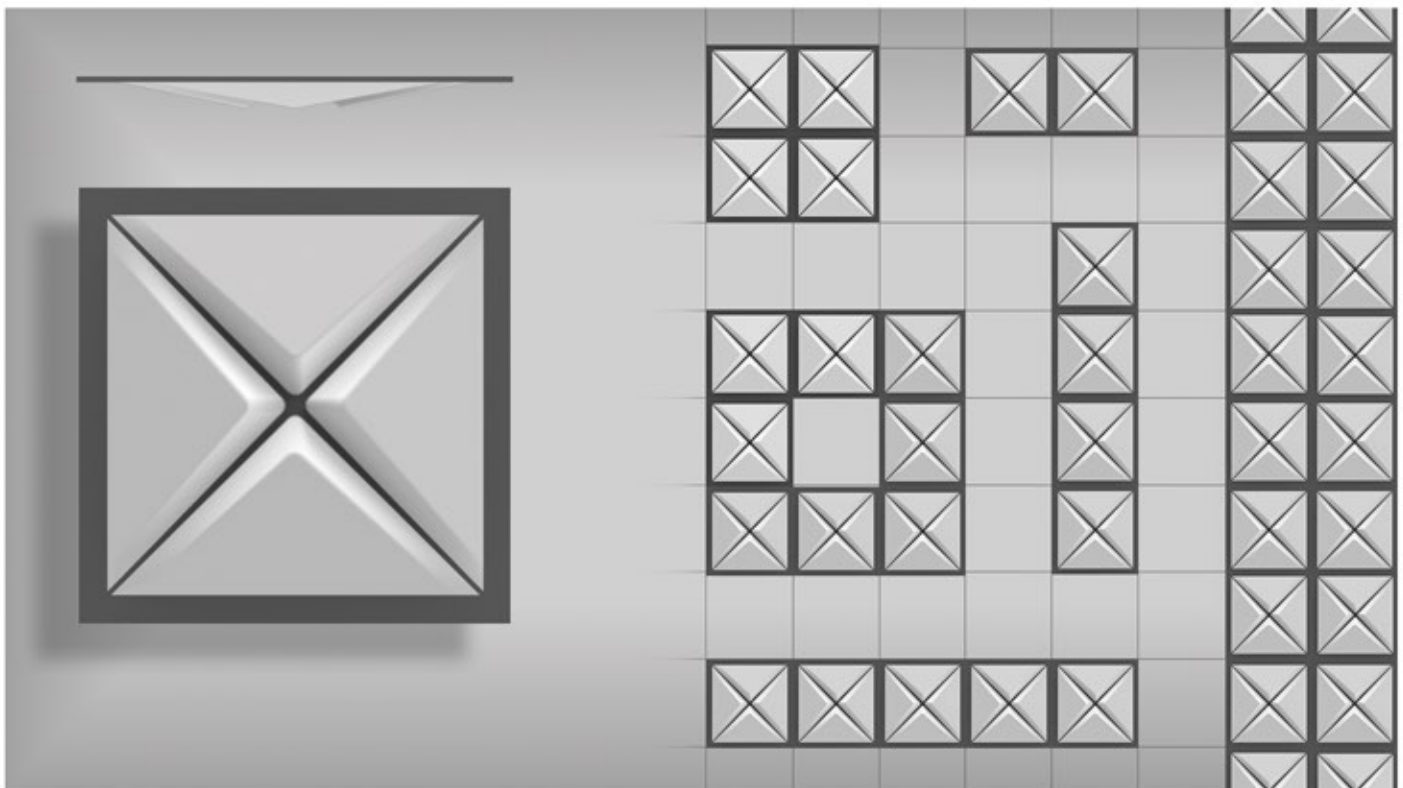
*** Mounting Alternatives: LAY-ON, CLIP-IN, FLUSH, SURFACE MOUNTED

The technical datas given in this brochure are only for Lay-On mounted products.

For more information on other models, www.okvolight.com



INTEGRATED USAGE | SPARKY



ALTERNATIVE USAGES | SPARKY

POLY CROWN LED PANEL

Products Features

Mounting Type

LAY-ON, CLIP-IN, FLUSH or SURFACE Mounted

Body

3D Decorative Cover Design, electrostatic powder coated DKP sheet.

Diffuser

Opal diffuser with prismatic surface, providing homogeneous light

LED

≥50,000 h lifetime, high efficiency and high color quality index.

Color Temperature

Cool White, Natural White, Warm White and 3in1 CCT options

Driver

Constant current LED driver with high efficiency,

Operating Temperature

-25 °C / + 50 °C operating ambient temperature range

Dimension Alternatives

600x600 mm, 600x1200 mm

Optional & Additional Features

- ▶ DALI Driver Compatible
- ▶ Dimmable with DIMM Moduls
- ▶ Emergency Lighting Kit (1-3 hours)
- ▶ OKVO Smart Applications



Multi-CCT Technology	Product Benefits	Areas Of Application
<p>Three CCT options in the one product by user controlled</p>	<ul style="list-style-type: none"> ▶ Energy savings of up to 50 % compared to conventional luminaires ▶ High luminous efficiency, very homogeneous light ▶ No IR or UV radiation ▶ Long lifetime and low maintenance costs ▶ Easy and quick installation, ▶ Compatible with the latest lighting control technology. 	<ul style="list-style-type: none"> ▶ Architectural Indoor Lighting, ▶ Offices, Corridors, Meeting Rooms, ▶ Schools, Hotels and Hospitals, ▶ Retails and Shopping Centers, ▶ Conference and Ballrooms, ▶ Enterances and Livingrooms

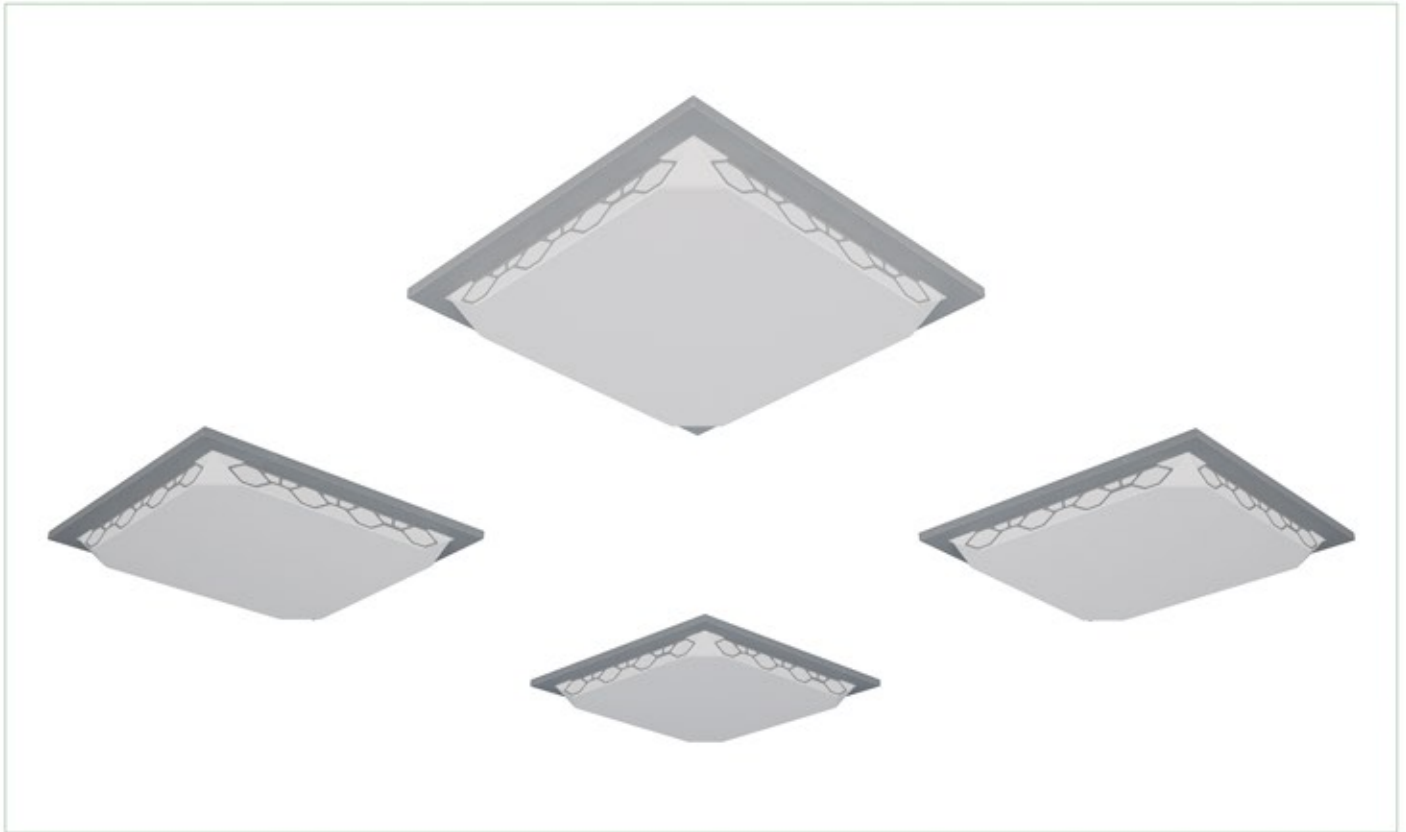
Dimensions	Mounting Hole Sizes	Weight	Photometric Diagrams
<p>LxWxH: 595x595x60 mm</p>	<p>L1 x W1 = 576 x 576 mm</p>	<p>4.5kg</p>	

Product Series	Product Model	Product Code	Color Temperature	Lumen	CRI	PFC(λ)	Power	Voltage	Lifetime	Dimensions	Warranty
POLY CROWN	BRONZE	AXP.PLY.0606.CRW***.BNZ	3000 K 4500 K 6500 K	3300 lm	Ra > 80	>0.92	33 W	220-240 V @50-60 Hz	50.000 h	595x595x60 mm	2 Years
	TITANIUM	AXP.PLY.0606.CRW***.TNM	3000 K 4500 K 6500 K	3400 lm	Ra > 85	>0.92					3 Years
	SILVER	AXP.PLY.0606.CRW***.SLV		3500lm	Ra > 80	>0.92					2 Years
	GOLD	AXP.PLY.0606.CRW***.GLD		3600 lm	Ra > 85	>0.92	33 W	220-240 V @50-60 Hz	50.000 h	595x595x60 mm	3 Years
	PLATINIUM	AXP.PLY.0606.CRW***.PLT		3600 lm	Ra > 85	>0.95					3 Years

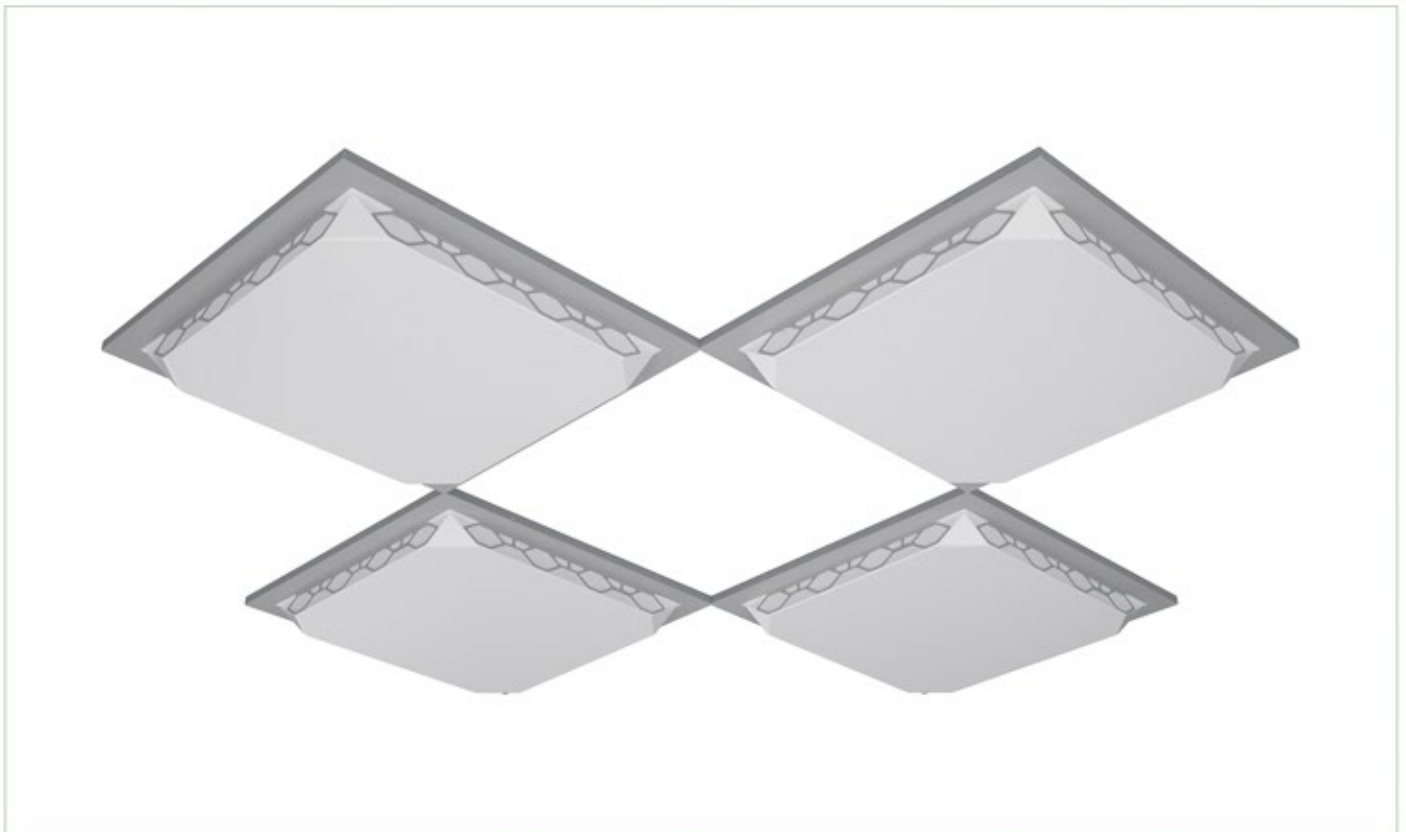
*** Mounting Alternatives: LAY-ON, CLIP-IN, FLUSH, SURFACE MOUNTED

The technical datas given in this brochure are only for Lay-On mounted products.

For more information on other models, www.okvolight.com



SINGLE USAGE | CROWN



INTEGRATED USAGE | CROWN

POLY RIGIDY LED PANEL

Products Features

Mounting Type

LAY-ON, CLIP-IN, FLUSH or SURFACE Mounted

Body

3D Decorative Cover Design, electrostatic powder coated DKP sheet.

Diffuser

Opal diffuser with prismatic surface, providing homogeneous light

LED

≥50,000 h lifetime, high efficiency and high color quality index.

Color Temperature

Cool White, Natural White, Warm White and 3in1 CCT options

Driver

Constant current LED driver with high efficiency,

Operating Temperature

-25 °C / + 50 °C operating ambient temperature range


Dimension Alternatives

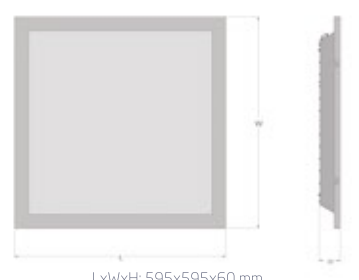
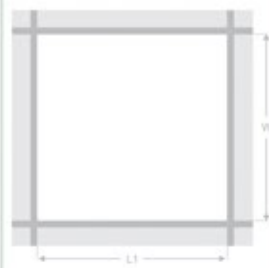

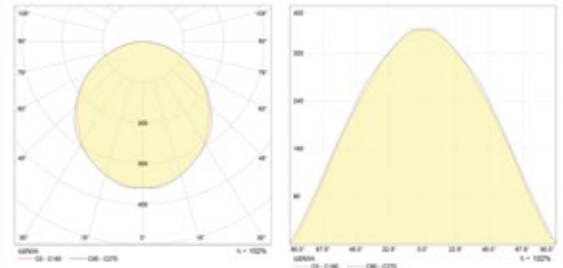
600x600 mm, 600x1200 mm

Optional & Additional Features

- ▶ DALI Driver Compatible
- ▶ Dimmable with DIMM Moduls
- ▶ Emergency Lighting Kit (1-3 hours)
- ▶ OKVO Smart Applications



Multi-CCT Technology	Product Benefits	Areas Of Application
 <p>Three CCT options in the one product by user controlled</p>	<ul style="list-style-type: none"> ▶ Energy savings of up to 50 % compared to conventional luminaires ▶ High luminous efficiency, very homogeneous light ▶ No IR or UV radiation ▶ Long lifetime and low maintenance costs ▶ Easy and quick installation, ▶ Compatible with the latest lighting control technology. 	<ul style="list-style-type: none"> ▶ Architectural Indoor Lighting, ▶ Offices, Corridors, Meeting Rooms, ▶ Schools, Hotels and Hospitals, ▶ Retails and Shopping Centers, ▶ Conference and Ballrooms, ▶ Enterances and Livingrooms

Dimensions	Mounting Hole Sizes	Weight	Photometric Diagrams
 <p>LxWxH: 595x595x60 mm</p>	 <p>L1 x W1 = 576 x 576 mm</p>	 <p>4.5kg</p>	

Product Series	Product Model	Product Code	Color Temperature	Lumen	CRI	PFC(λ)	Power	Voltage	Lifetime	Dimensions	Warranty
POLY RIGIDY	BRONZE	AXP.PLY.0606.RGD.***.BNZ	3000 K 4500 K 6500 K	3300 lm	Ra > 80	>0.92	33 W	220-240 V @50-60 Hz	50.000 h	595x595x60 mm	2 Years
	TITANIUM	AXP.PLY.0606.RGD.***.TNM	3000 K 4500 K 6500 K	3400 lm	Ra > 85	>0.92	33 W	220-240 V @50-60 Hz	50.000 h	595x595x60 mm	3 Years
	SILVER	AXP.PLY.0606.RGD.***.SLV	3000 K 4500 K 6500 K	3500 lm	Ra > 80	>0.92	33 W	220-240 V @50-60 Hz	50.000 h	595x595x60 mm	2 Years
	GOLD	AXP.PLY.0606.RGD.***.GLD	3000 K 4500 K 6500 K	3600 lm	Ra > 85	>0.92	33 W	220-240 V @50-60 Hz	50.000 h	595x595x60 mm	3 Years
	PLATINIUM	AXP.PLY.0606.RGD.***.PLT	3000 K 4500 K 6500 K	3600 lm	Ra > 85	>0.95	33 W	220-240 V @50-60 Hz	50.000 h	595x595x60 mm	3 Years

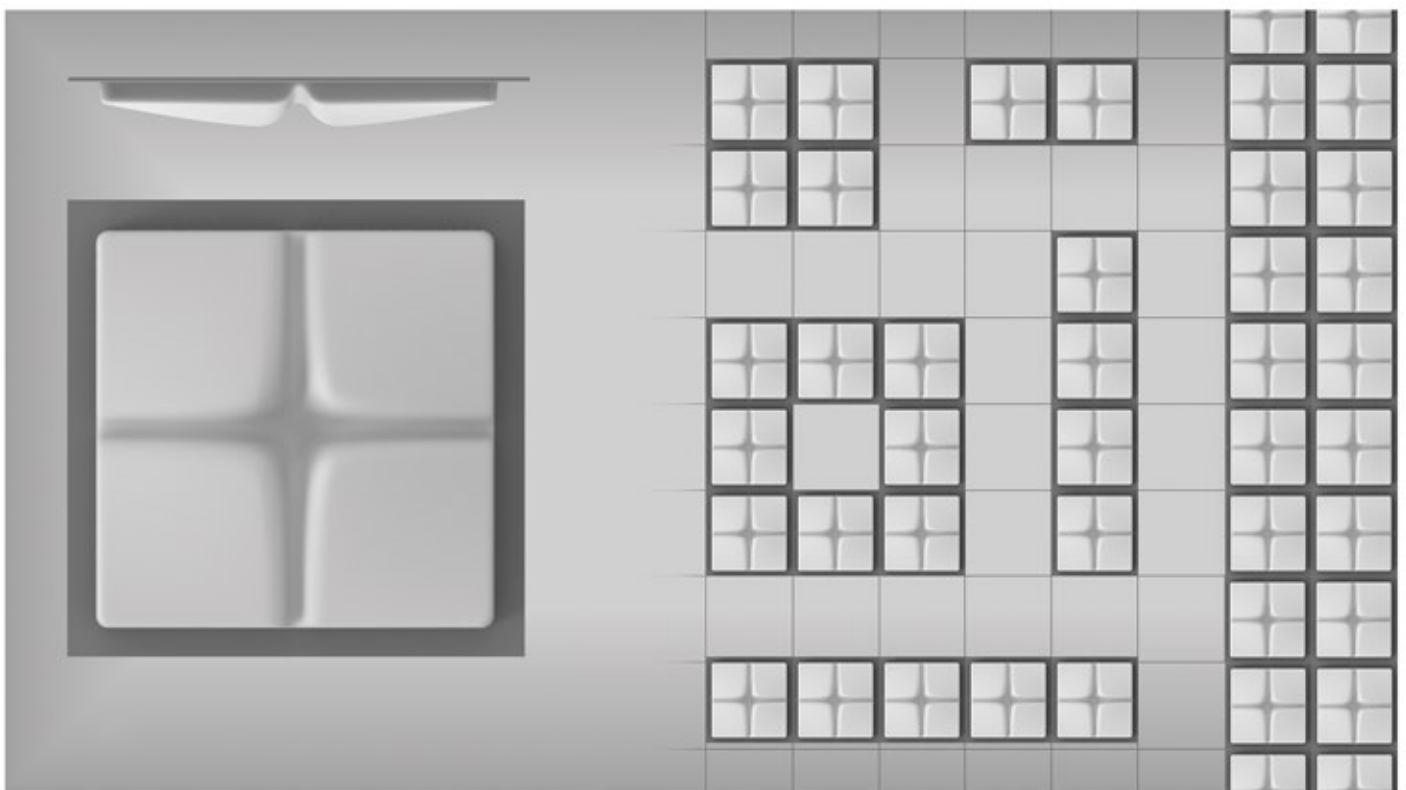
*** Mounting Alternatives: LAY-ON, CLIP-IN, FLUSH, SURFACE MOUNTED

The technical datas given in this brochure are only for Lay-On mounted products.

For more information on other models, www.okvolight.com



INTEGRATED USAGE | **RIGIDY**



ALTERNATIVE USAGES | **RIGIDY**

POLY SENSE LED PANEL

Products Features

Mounting Type

LAY-ON, CLIP-IN, FLUSH or SURFACE Mounted

Body

3D Decorative Cover Design, electrostatic powder coated DKP sheet.

Diffuser

Opal diffuser with prismatic surface, providing homogeneous light

LED

≥50,000 h lifetime, high efficiency and high color quality index.

Color Temperature

Cool White, Natural White, Warm White and 3in1 CCT options

Driver

Constant current LED driver with high efficiency,

Operating Temperature

-25 °C / + 50 °C operating ambient temperature range

Dimension Alternatives

600x600 mm, 600x1200 mm

Optional & Additional Features

- ▶ DALI Driver Compatible
- ▶ Dimmable with DIMM Moduls
- ▶ Emergency Lighting Kit (1-3 hours)
- ▶ OKVO Smart Applications



Multi-CCT Technology	Product Benefits	Areas Of Application
<p>Three CCT options in the one product by user controlled</p>	<ul style="list-style-type: none"> ▶ Energy savings of up to 50 % compared to conventional luminaires ▶ High luminous efficiency, very homogeneous light ▶ No IR or UV radiation ▶ Long lifetime and low maintenance costs ▶ Easy and quick installation, ▶ Compatible with the latest lighting control technology. 	<ul style="list-style-type: none"> ▶ Architectural Indoor Lighting, ▶ Offices, Corridors, Meeting Rooms, ▶ Schools, Hotels and Hospitals, ▶ Retails and Shopping Centers, ▶ Conference and Ballrooms, ▶ Enterances and Livingrooms

Dimensions	Mounting Hole Sizes	Weight	Photometric Diagrams
<p>LxWxH: 595x595x60 mm</p>	<p>L1 x W1 = 576 x 576 mm</p>	<p>4.5kg</p>	

Product Series	Product Model	Product Code	Color Temperature	Lumen	CRI	PFC(λ)	Power	Voltage	Lifetime	Dimensions	Warranty
POLY SENSE	BRONZE	AXP.PLY.0606.SNS.***.BNZ	3000 K 4500 K 6500 K	3300 lm	Ra > 80	>0.92	33 W	220-240 V @50-60 Hz	50.000 h	595x595x60 mm	2 Years
	TITANIUM	AXP.PLY.0606.SNS.***.TNM	3000 K 4500 K 6500 K	3400 lm	Ra > 85	>0.92					3 Years
	SILVER	AXP.PLY.0606.SNS.***.SLV		3500lm	Ra > 80	>0.92	33 W	220-240 V @50-60 Hz	50.000 h	595x595x60 mm	2 Years
	GOLD	AXP.PLY.0606.SNS.***.GLD		3600 lm	Ra > 85	>0.92					3 Years
	PLATINIUM	AXP.PLY.0606.SNS.***.PLT		3600 lm	Ra > 85	>0.95					3 Years

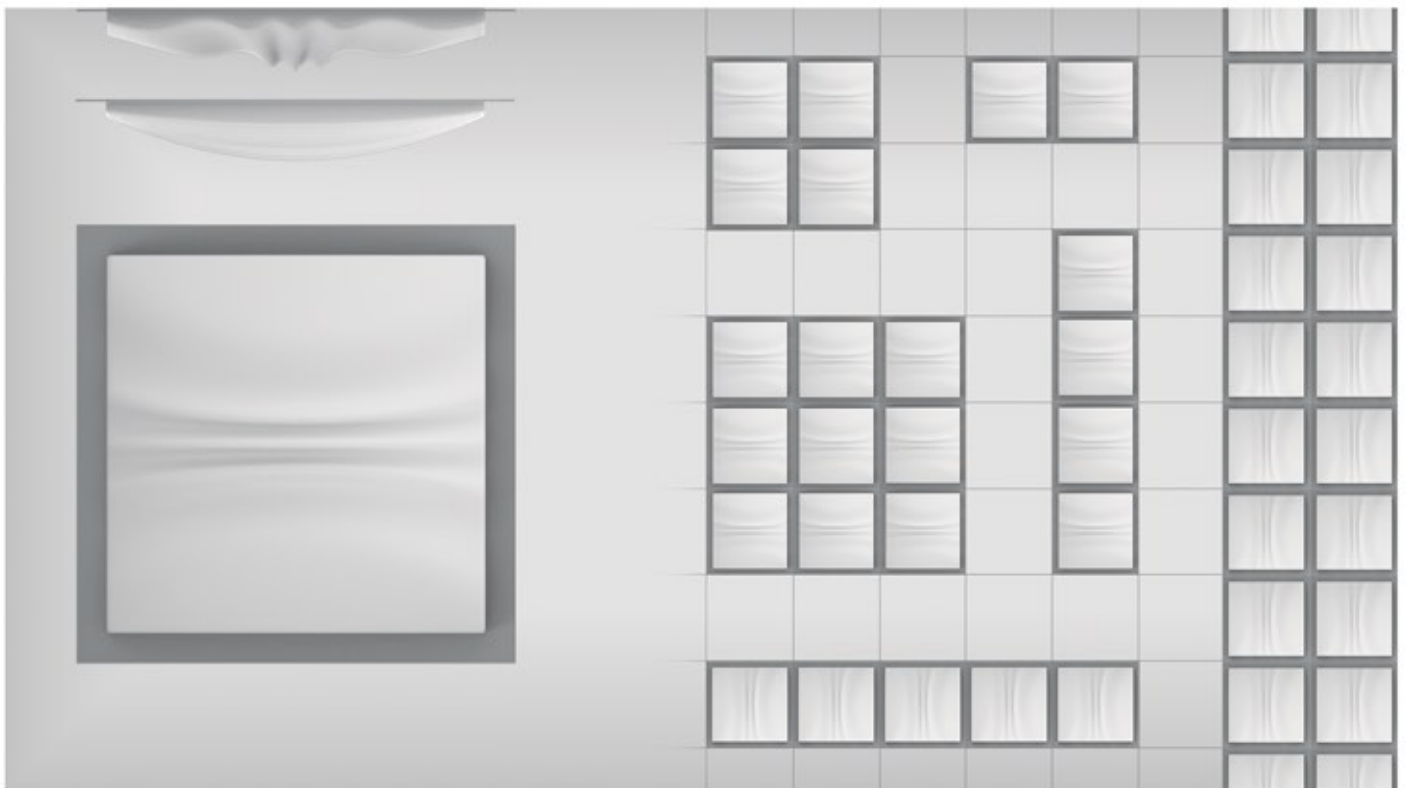
*** Mounting Alternatives: LAY-ON, CLIP-IN, FLUSH, SURFACE MOUNTED

The technical datas given in this brochure are only for Lay-On mounted products.

For more information on other models, www.okvolight.com



INTEGRATED USAGE | SENSE



ALTERNATIVE USAGES | SENSE

POLY FOSTERY LED PANEL

Products Features

Mounting Type

LAY-ON, CLIP-IN, FLUSH or SURFACE Mounted

Body

3D Decorative Cover Design, electrostatic powder coated DKP sheet.

Diffuser

Opal diffuser with prismatic surface, providing homogeneous light

LED

≥50,000 h lifetime, high efficiency and high color quality index.

Color Temperature

Cool White, Natural White, Warm White and 3in1 CCT options

Driver

Constant current LED driver with high efficiency,

Operating Temperature

-25 °C / + 50 °C operating ambient temperature range

Dimension Alternatives

600x600 mm, 600x1200 mm

Optional & Additional Features

- ▶ DALI Driver Compatible
- ▶ Dimmable with DIMM Modules
- ▶ Emergency Lighting Kit (1-3 hours)
- ▶ OKVO Smart Applications



Multi-CCT Technology	Product Benefits	Areas Of Application
<p>Three CCT options in the one product by user controlled</p>	<ul style="list-style-type: none"> ▶ Energy savings of up to 50 % compared to conventional luminaires ▶ High luminous efficiency, very homogeneous light ▶ No IR or UV radiation ▶ Long lifetime and low maintenance costs ▶ Easy and quick installation, ▶ Compatible with the latest lighting control technology. 	<ul style="list-style-type: none"> ▶ Architectural Indoor Lighting, ▶ Offices, Corridors, Meeting Rooms, ▶ Schools, Hotels and Hospitals, ▶ Retails and Shopping Centers, ▶ Conference and Ballrooms, ▶ Enterances and Livingrooms

Dimensions	Mounting Hole Sizes	Weight	Photometric Diagrams
<p>LxWxH: 595x595x60 mm</p>	<p>L1 x W1 = 576 x 576 mm</p>	<p>4.5kg</p>	

Product Series	Product Model	Product Code	Color Temperature	Lumen	CRI	PFC(λ)	Power	Voltage	Lifetime	Dimensions	Warranty
POLY FOSTERY	BRONZE	AXP.PLY.0606.FSY.***.BNZ	3000 K 4500 K 6500 K	3300 lm	Ra > 80	>0.92	33 W	220-240 V @50-60 Hz	50.000 h	595x595x60 mm	2 Years
	TITANIUM	AXP.PLY.0606.FSY.***.TNM	3000 K 4500 K 6500 K	3400 lm	Ra > 85	>0.92					3 Years
	SILVER	AXP.PLY.0606.FSY.***.SLV		3500lm	Ra > 80	>0.92					2 Years
	GOLD	AXP.PLY.0606.FSY.***.GLD		3600 lm	Ra > 85	>0.92	33 W	220-240 V @50-60 Hz	50.000 h	595x595x60 mm	3 Years
	PLATINIUM	AXP.PLY.0606.FSY.***.PLT		3600 lm	Ra > 85	>0.95					3 Years

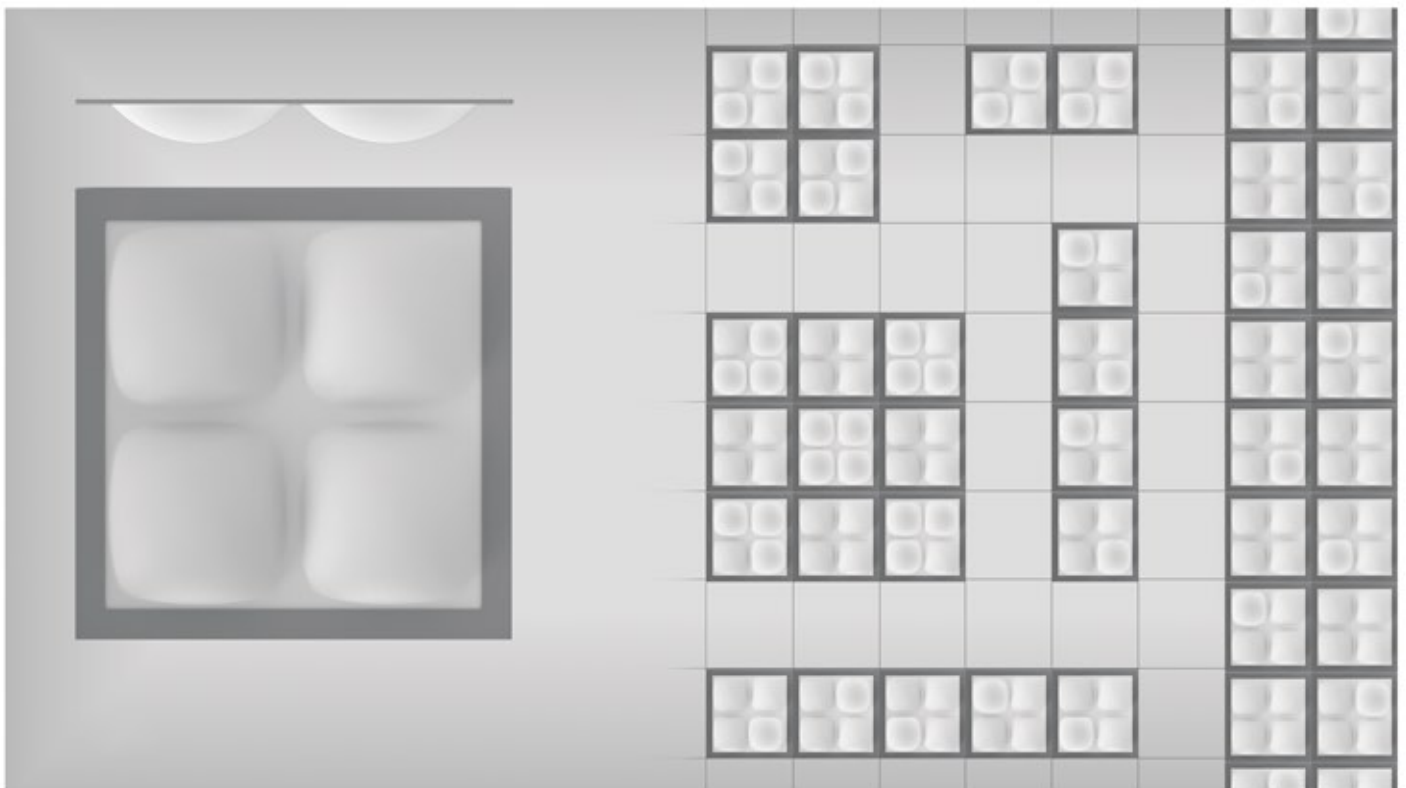
*** Mounting Alternatives: LAY-ON, CLIP-IN, FLUSH, SURFACE MOUNTED

The technical datas given in this brochure are only for Lay-On mounted products.

For more information on other models, www.okvolight.com



INTEGRATED USAGE | FOSTERY



ALTERNATIVE USAGES | FOSTERY

POLY FOSTERO LED PANEL

Products Features

Mounting Type

LAY-ON, CLIP-IN, FLUSH or SURFACE Mounted

Body

3D Decorative Cover Design, electrostatic powder coated DKP sheet.

Diffuser

Opal diffuser with prismatic surface, providing homogeneous light

LED

≥50,000 h lifetime, high efficiency and high color quality index.

Color Temperature

Cool White, Natural White, Warm White and 3in1 CCT options

Driver

Constant current LED driver with high efficiency,

Operating Temperature

-25 °C / + 50 °C operating ambient temperature range


Dimension Alternatives

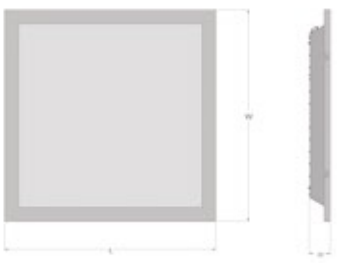
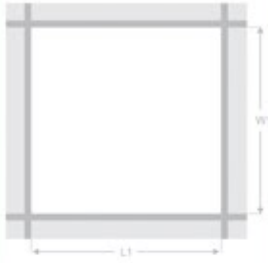

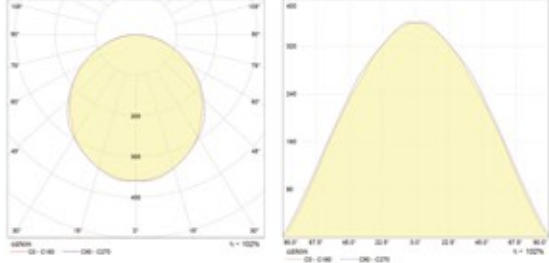
600x600 mm, 600x1200 mm

Optional & Additional Features

- ▶ DALI Driver Compatible
- ▶ Dimmable with DIMM Moduls
- ▶ Emergency Lighting Kit (1-3 hours)
- ▶ OKVO Smart Applications



Multi-CCT Technology	Product Benefits	Areas Of Application
 <p>Three CCT options in the one product by user controlled</p>	<ul style="list-style-type: none"> ▶ Energy savings of up to 50 % compared to conventional luminaires ▶ High luminous efficiency, very homogeneous light ▶ No IR or UV radiation ▶ Long lifetime and low maintenance costs ▶ Easy and quick installation, ▶ Compatible with the latest lighting control technology. 	<ul style="list-style-type: none"> ▶ Architectural Indoor Lighting, ▶ Offices, Corridors, Meeting Rooms, ▶ Schools, Hotels and Hospitals, ▶ Retails and Shopping Centers, ▶ Conference and Ballrooms, ▶ Enterances and Livingrooms

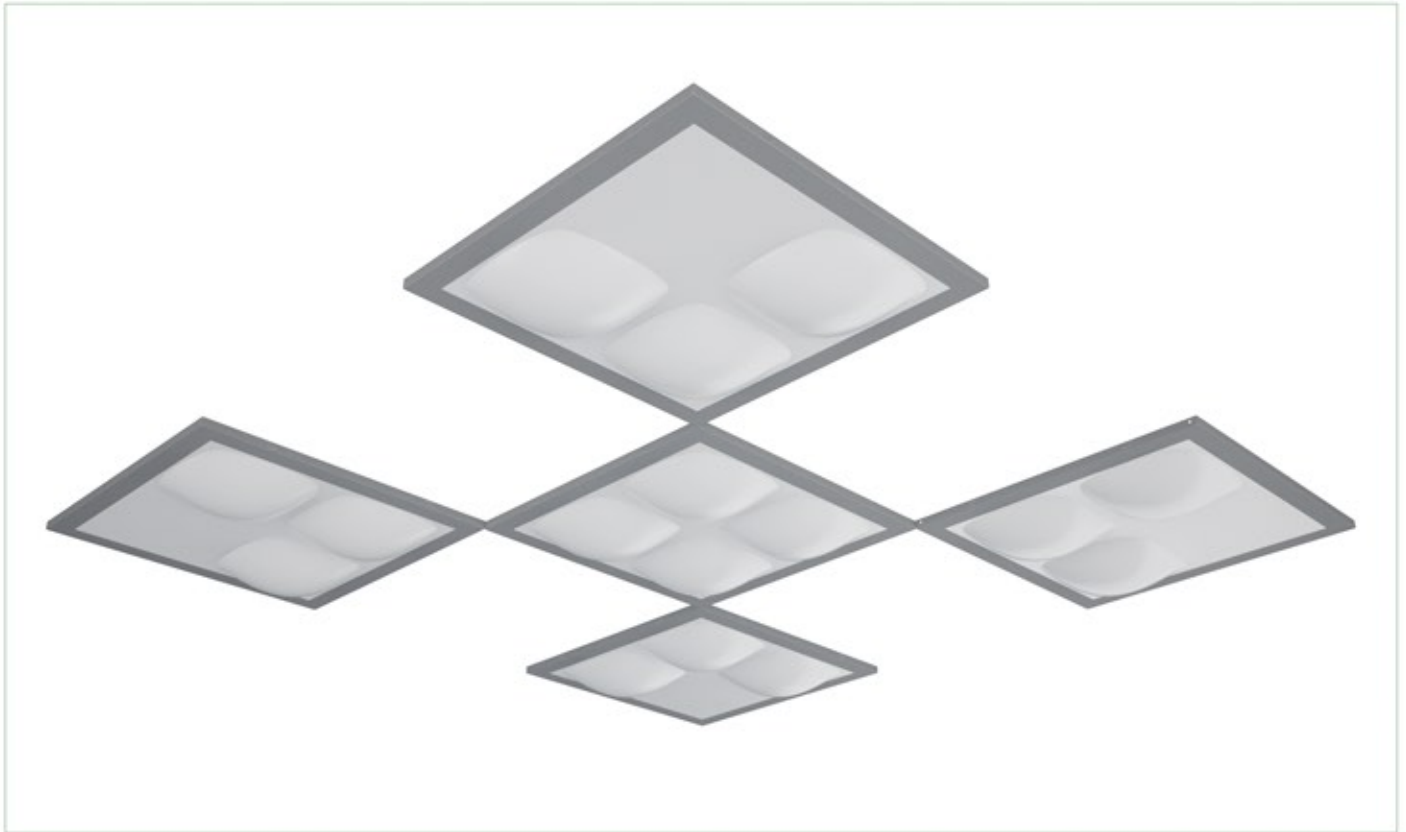
Dimensions	Mounting Hole Sizes	Weight	Photometric Diagrams
 <p>LxWxH: 595x595x60 mm</p>	 <p>L1 x W1 = 576 x 576 mm</p>	 <p>4.5kg</p>	

Product Series	Product Model	Product Code	Color Temperature	Lumen	CRI	PFC(λ)	Power	Voltage	Lifetime	Dimensions	Warranty
POLY FOSTERO	BRONZE	AXP.PLY.0606.FSO.***.BNZ	3000 K 4500 K 6500 K	3300 lm	Ra > 80	>0.92	33 W	220-240 V @50-60 Hz	50.000 h	595x595x60 mm	2 Years
	TITANIUM	AXP.PLY.0606.FSO.***.TNM	3000 K 4500 K 6500 K	3400 lm	Ra > 85	>0.92					3 Years
	SILVER	AXP.PLY.0606.FSO.***.SLV		3500lm	Ra > 80	>0.92					2 Years
	GOLD	AXP.PLY.0606.FSO.***.GLD		3600 lm	Ra > 85	>0.92	33 W	220-240 V @50-60 Hz	50.000 h	595x595x60 mm	3 Years
	PLATINIUM	AXP.PLY.0606.FSO.***.PLT		3600 lm	Ra > 85	>0.95					3 Years

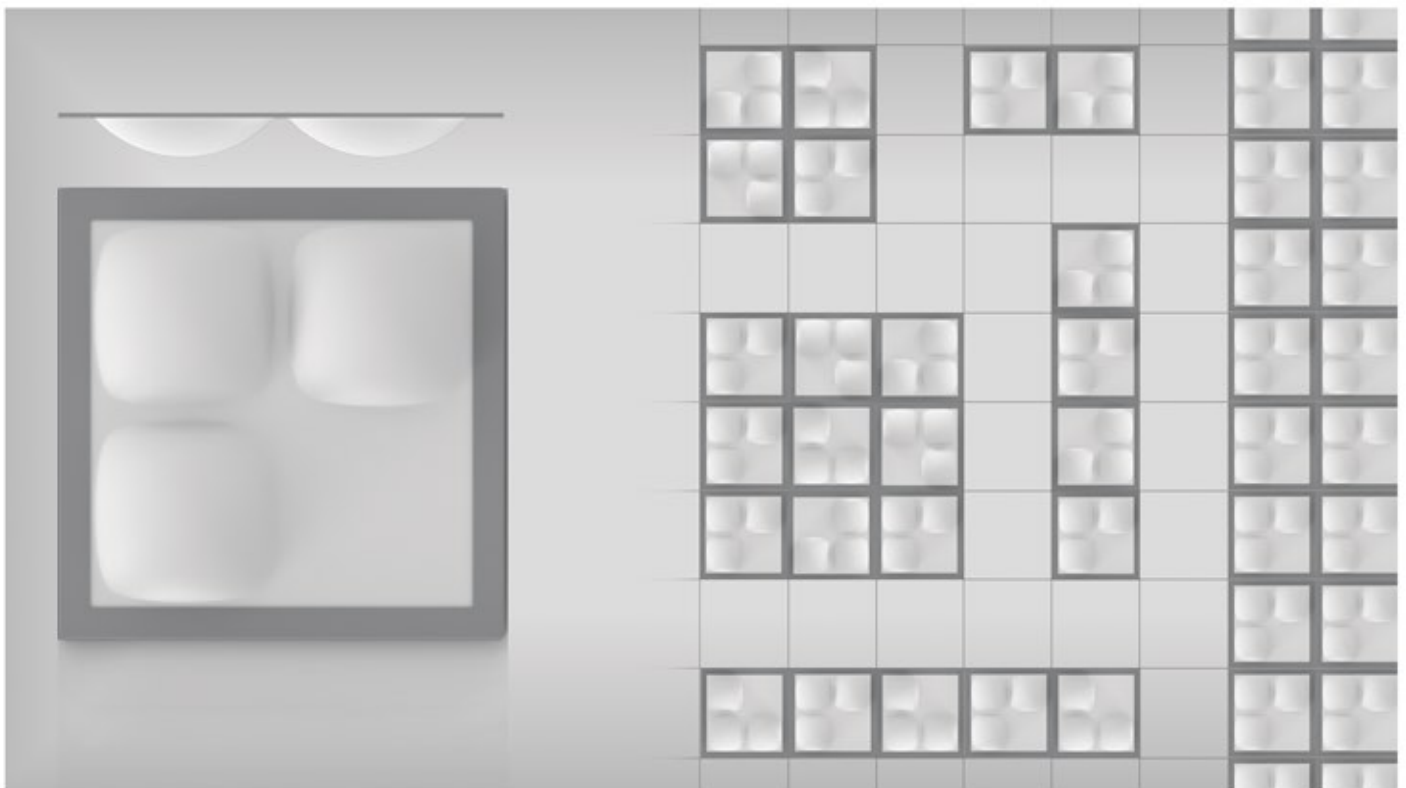
*** Mounting Alternatives: LAY-ON, CLIP-IN, FLUSH, SURFACE MOUNTED

The technical datas given in this brochure are only for Lay-On mounted products.

For more information on other models, www.okvolight.com



INTEGRATED USAGE | **FOSTERO**



ALTERNATIVE USAGES | **FOSTERO**

okvolight®

Mimarsinan Organize Sanayi Bölgesi
Kastim Cad. No:22/B Kayseri / TURKEY
T : +90 352 228 00 28
F : +90 352 228 00 29

© 2018, Okvolight. All rights reserved.

We reserve the right to change specifications, product descriptions, product quality, pricing and application at any time without prior written or oral notice.

okvolight®

Technology Inside



SLOOPY SERIES

► **DECORATIVE**
PANEL LUMINAIRES

SLOPY SERIES LED PANEL

Products Features

Mounting Type

Surface Mounted on Ceiling

Body

Asymmetrical housing design, electrostatic powder coated DKP sheet.

Diffuser

Opal diffuser with prismatic surface, providing homogeneous light

LED

≥50,000 h lifetime, high efficiency and high color quality index.

Color Temperature

Cool White, Natural White, Warm White and 3in1 CCT options

Driver

Constant current LED driver with high efficiency,

Operating Temperature

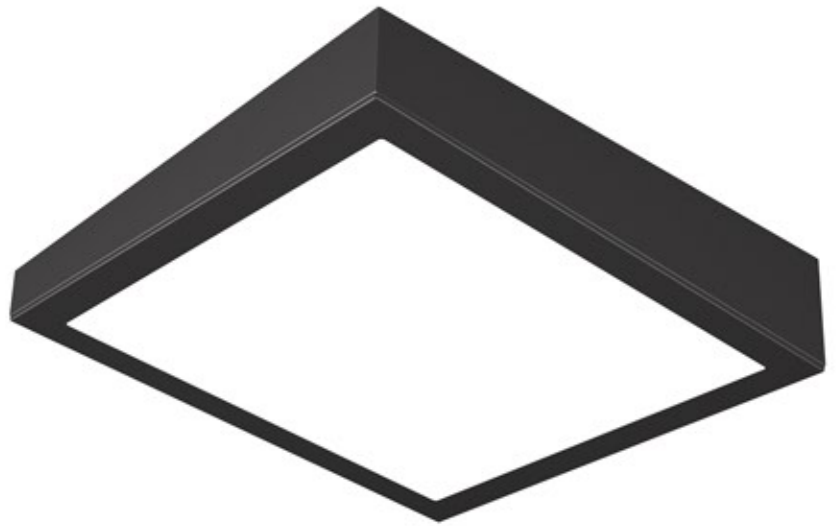
-25 ° C / + 50 ° C operating ambient temperature range


Dimension Alternatives

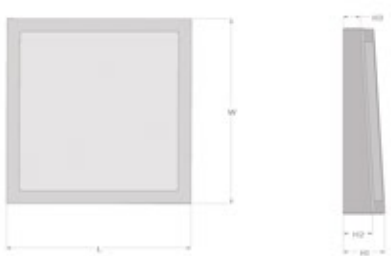
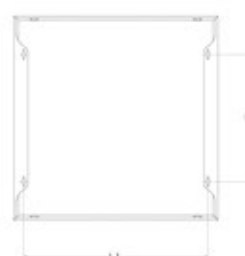

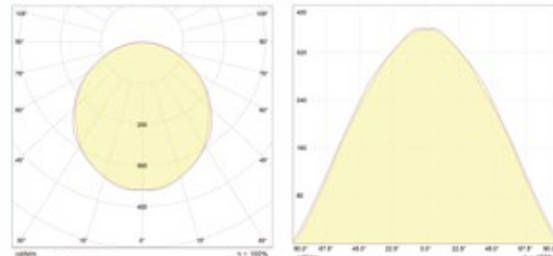
600x600 mm, 300x300 mm, 300x600 mm, 300x1200 mm , 600x1200 mm

Optional & Additional Features

- ▶ DALI Driver Compatible
- ▶ Dimmable with DIMM Moduls
- ▶ Emergency Lighting Kit (1-3 hours)
- ▶ OKVO Smart Applications



Multi-CCT Technology	Product Benefits	Areas Of Application
 <p>Three CCT options in the one product by user controlled</p>	<ul style="list-style-type: none"> ▶ Energy savings of up to 50 % compared to conventional luminaires ▶ High luminous efficiency, very homogeneous light ▶ No IR or UV radiation ▶ Long lifetime and low maintenance costs ▶ Easy and quick installation, ▶ Compatible with the latest lighting control technology. 	<ul style="list-style-type: none"> ▶ Architectural Indoor Lightings, ▶ Offices, Corridors, Meeting Rooms, ▶ Schools, Hotels and Hospitals, ▶ Retails and Shopping Centers, ▶ Conference and Ballrooms, ▶ Enterances and Livingrooms

Dimensions	Mounting Hole Sizes	Weight	Photometric Diagrams
 <p>LxW: 600x600 mm H1xH2xH3: 135x100x65 mm</p>	 <p>L1 x W1 = 540 x 375 mm</p>	 <p>5kg</p>	

Product Series	Product Model	Product Code	Color Temperature	Lumen	CRI	PFC(λ)	Power	Voltage	Lifetime	Dimensions	Warranty	
SLOPY SERIES	BRONZE	AXP.SLP.0606.***.SFC.BNZ	3000 K 4500 K 6500 K	3300 lm	Ra > 80	>0.92	33 W	220-240 V @50-60 Hz	50,000 h	600x600	2 Years	
	TITANIUM	AXP.SLP.0606.***.SFC.TNM	3000 K 4500 K 6500 K	3400 lm	Ra > 85	>0.92				135x100x65 mm		3 Years
	SILVER	AXP.SLP.0606.***.SFC.SLV		3500lm	Ra > 80	>0.92	33 W	220-240 V @50-60 Hz	50,000 h	600x600	3 Years	
	GOLD	AXP.SLP.0606.***.SFC.GLD		3600 lm	Ra > 85	>0.92				135x100x65 mm		3 Years
	PLATINIUM	AXP.SLP.0606.***.SFC.PLT		3600 lm	Ra > 85	>0.95				135x100x65 mm		3 Years

*** 2D Patterns: LEAKY - PIXY - MESHY - VINDER - TWINKLE - FI - CI

*** 3D Patterns: FOSTERY - FOSTERO - EAVES - SPARKY - CROWN - RIGIDY - SENSE

For more information on other models, www.okvolight.com



ASYMMETRICAL LINEAR USAGE | SLOPY



SYMMETRICAL MODULAR USAGE | SLOPY



ASYMMETRICAL MODULAR USAGE | SLOPY

okvolight®

Mimarsinan Organize Sanayi Bölgesi
Kastim Cad. No:22/B Kayseri / TURKEY
T : +90 352 228 00 28
F : +90 352 228 00 29

© 2018, Okvolight. All rights reserved.

We reserve the right to change specifications, product descriptions, product quality, pricing and application at any time without prior written or oral notice.

okvolight®

Technology Inside



NOBLY SERIES

➤ **ULTRA SLIM**
PANEL LUMINAIRE



GRANDE
ULTRA SLIM LED PANEL

GRANDE ULTRA SLIM LED PANEL LAY-ON MOUNTED

Products Features

Mounting Type

LAY-ON Mounted on Suspended Ceiling

Body

Electrostatic powder coated DKP Sheet

Diffuser

Opal diffuser with prismatic surface, providing homogeneous light

LED

≥50,000 h lifetime, high efficiency and high color quality index.

Color Temperature

Cool White, Natural White, Warm White

Driver

Constant current LED driver with high efficiency,

Operating Temperature

-25 ° C / + 50 ° C operating ambient temperature range

Dimension Alternatives

600x600 mm, 300x300 mm, 300x600 mm, 300x1200 mm, 600x1200 mm

Optional & Additional Features

- ▶ DALI Driver Compatible
- ▶ Dimmable with DIMM Moduls
- ▶ Emergency Lighting Kit (1-3 hours)
- ▶ OKVO Smart Applications



Body Color RAL 9016 RAL 9006



Installation Details	Product Benefits	Areas Of Application
<p>LAY-ON mounting on suspended ceiling</p>	<ul style="list-style-type: none"> ▶ Ultra slim body and side-light design. ▶ Energy savings of up to 50 % compared to conventional luminaires ▶ High luminous efficiency, very homogeneous light ▶ No IR or UV radiation ▶ Long lifetime and low maintenance costs ▶ Easy and quick installation, ▶ Compatible with the latest lighting control technology. 	<ul style="list-style-type: none"> ▶ Offices, Corridors, Meeting Rooms, ▶ Schools, Hotels and Hospitals, ▶ Retails and Shopping Centers, ▶ Conference and Ballrooms, ▶ Entrances and Livingrooms, ▶ Modular Constructions

Dimensions	Mounting Hole Sizes	Weight	Photometric Diagrams
<p>LxWxH: 595x595x8 mm</p>	<p>L1 x W1 = 576 x 576 mm</p>	<p>4.2 kg</p>	

Product Series	Product Model	Product Code	Color Temperature			Lumen	CRI	PFC(λ)	Power	Voltage	Lifetime	Dimensions	Warranty
GRANDE LAY-ON MOUNTED	BRONZE	USP.NBL.0606.GRN.LYN.BNZ				3550 lm	Ra > 80	>0.92					2 Years
	TITANIUM	USP.NBL.0606.GRN.LYN.TNM				3650 lm	Ra > 85	>0.92					3 Years
	SILVER	USP.NBL.0606.GRN.LYN.SLV	2900 K	4200K	6500 K	3650 lm	Ra > 80	>0.92	38 W	220-240 V @50-60 Hz	50.000 h	595x595x8 mm	2 Years
	GOLD	USP.NBL.0606.GRN.LYN.GLD				3750 lm	Ra > 85	>0.92					3 Years
	PLATINIUM	USP.NBL.0606.GRN.LYN.PLT				3850 lm	Ra > 85	>0.95					3 Years

For more information on other models, www.okvolight.com

GRANDE ULTRA SLIM LED PANEL CLIP-IN MOUNTED

Products Features

Mounting Type

CLIP-IN Mounted on Suspended Ceiling

Body

Electrostatic powder coated DKP Sheet

Diffuser

Opal diffuser with prismatic surface, providing homogeneous light

LED

≥50,000 h lifetime, high efficiency and high color quality index.

Color Temperature

Cool White, Natural White, Warm White

Driver

Constant current LED driver with high efficiency,

Operating Temperature

-25 ° C / + 50 ° C operating ambient temperature range

Dimension Alternatives

600x600 mm, 300x300 mm, 300x600 mm, 300x1200 mm, 600x1200 mm

Optional & Additional Features

- ▶ DALI Driver Compatible
- ▶ Dimmable with DIMM Moduls
- ▶ Emergency Lighting Kit (1-3 hours)
- ▶ OKVO Smart Applications



Installation Details	Product Benefits	Areas Of Application
<p>CLIP-IN mounting on suspended ceiling</p>	<ul style="list-style-type: none"> ▶ Ultra slim body and side-light design. ▶ Energy savings of up to 50 % compared to conventional luminaires ▶ High luminous efficiency, very homogeneous light ▶ No IR or UV radiation ▶ Long lifetime and low maintenance costs ▶ Easy and quick installation, ▶ Compatible with the latest lighting control technology. 	<ul style="list-style-type: none"> ▶ Offices, Corridors, Meeting Rooms, ▶ Schools, Hotels and Hospitals, ▶ Retails and Shopping Centers, ▶ Conference and Ballrooms, ▶ Enterances and Livingrooms, ▶ Modular Constructions

Dimensions	Mounting Hole Sizes	Weight	Photometric Diagrams
<p>LxWxH: 600x600x25 mm</p>	<p>L1 x W1 = 600 x 600 mm</p>	<p>4.4 kg</p>	

Product Series	Product Model	Product Code	Color Temperature	Lumen	CRI	PFC(λ)	Power	Voltage	Lifetime	Dimensions	Warranty
GRANDE CLIP-IN MOUNTED	BRONZE	USP.NBL.0606.GRN.CLIP.BNZ		3550 lm	Ra > 80	>0.92					2 Years
	TITANIUM	USP.NBL.0606.GRN.CLIP.TNM		3650 lm	Ra > 85	>0.92					3 Years
	SILVER	USP.NBL.0606.GRN.CLIP.SLV	2900 K 4200K 6500 K	3650 lm	Ra > 80	>0.92	38 W	220-240 V @50-60 Hz	50.000 h	600x600x25 mm	2 Years
	GOLD	USP.NBL.0606.GRN.CLIP.GLD		3750 lm	Ra > 85	>0.92					3 Years
	PLATINIUM	USP.NBL.0606.GRN.CLIP.PLT		3850 lm	Ra > 85	>0.95					3 Years

GRANDE ULTRA SLIM LED PANEL FLUSH MOUNTED

Products Features

Mounting Type

FLUSH Mounted on Suspended Ceiling

Body

Electrostatic powder coated DKP Sheet

Diffuser

Opal diffuser with prismatic surface, providing homogeneous light

LED

≥50,000 h lifetime, high efficiency and high color quality index.

Color Temperature

Cool White, Natural White, Warm White

Driver

Constant current LED driver with high efficiency,

Operating Temperature

-25 ° C / + 50 ° C operating ambient temperature range

Dimension Alternatives

600x600 mm, 300x300 mm, 300x600 mm, 300x1200 mm, 600x1200 mm

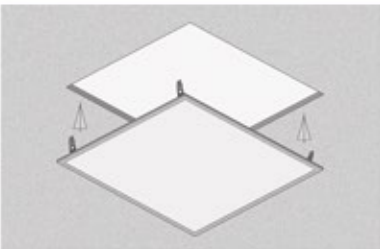
Optional & Additional Features

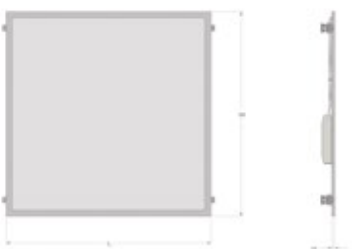
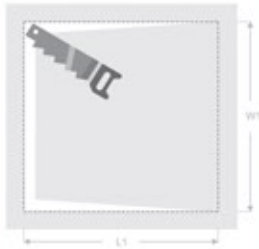

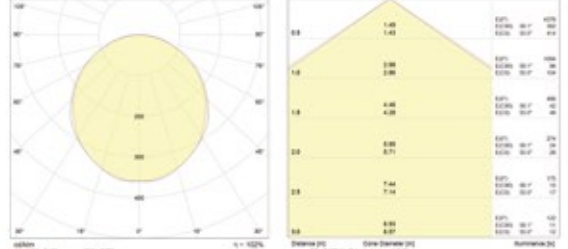
- ▶ DALI Driver Compatible
- ▶ Dimmable with DIMM Moduls
- ▶ Emergency Lighting Kit (1-3 hours)
- ▶ OKVO Smart Applications



Body Color RAL 9016 RAL 9006



Installation Details	Product Benefits	Areas Of Application
 <p>FLUSH mounting on suspended ceiling</p>	<ul style="list-style-type: none"> ▶ Ultra slim body and side-light design. ▶ Energy savings of up to 50 % compared to conventional luminaires ▶ High luminous efficiency, very homogeneous light ▶ No IR or UV radiation ▶ Long lifetime and low maintenance costs ▶ Easy and quick installation. ▶ Compatible with the latest lighting control technology. 	<ul style="list-style-type: none"> ▶ Offices, Corridors, Meeting Rooms, ▶ Schools, Hotels and Hospitals, ▶ Retails and Shopping Centers, ▶ Conference and Ballrooms, ▶ Entrances and Livingrooms, ▶ Modular Constructions

Dimensions	Mounting Hole Sizes	Weight	Photometric Diagrams
 <p>LxWxH: 595x595x8 mm</p>	 <p>L1 x W1 = 565x 565 mm</p>	 <p>4.3 kg</p>	

Product Series	Product Model	Product Code	Color Temperature			Lumen	CRI	PFC(λ)	Power	Voltage	Lifetime	Dimensions	Warranty
GRANDE FLUSH MOUNTED	BRONZE	USP.NBL.0606.GRN.FL.H.BNZ				3550 lm	Ra> 80	>0.92					2 Years
	TITANIUM	USP.NBL.0606.GRN.FL.H.TNM				3650 lm	Ra> 85	>0.92					3 Years
	SILVER	USP.NBL.0606.GRN.FL.H.SLV	2900 K	4200K	6500 K	3650 lm	Ra> 80	>0.92	38 W	220-240 V @50-60 Hz	50.000 h	595x595x8 mm	2 Years
	GOLD	USP.NBL.0606.GRN.FL.H.GLD				3750 lm	Ra> 85	>0.92					3 Years
	PLATINIUM	USP.NBL.0606.GRN.FL.H.PLT				3850 lm	Ra> 85	>0.95					3 Years

For more information on other models, www.okvolight.com

GRANDE ULTRA SLIM LED PANEL SURFACE MOUNTED

Products Features

Mounting Type

SURFACE Mounted on Ceiling

Body

Electrostatic powder coated DKP Sheet

Diffuser

Opal diffuser with prismatic surface, providing homogeneous light

LED

≥50,000 h lifetime, high efficiency and high color quality index.

Color Temperature

Cool White, Natural White, Warm White

Driver

Constant current LED driver with high efficiency,

Operating Temperature

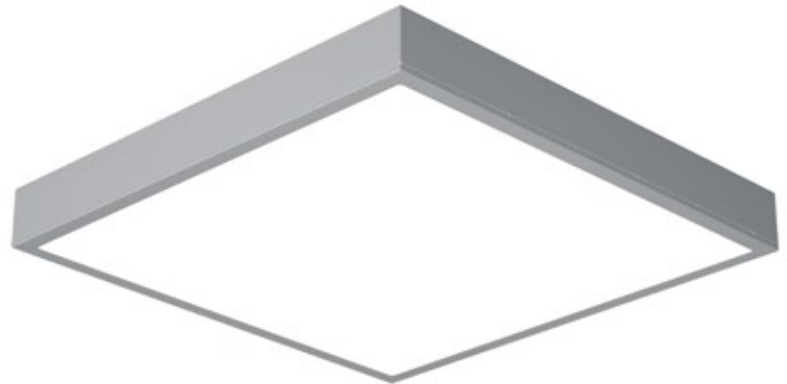
-25 ° C / + 50 ° C operating ambient temperature range

Dimension Alternatives

600x600 mm, 300x300 mm, 300x600 mm, 300x1200 mm , 600x1200 mm

Optional & Additional Features

- ▶ DALI Driver Compatible
- ▶ Dimmable with DIMM Moduls
- ▶ Emergency Lighting Kit (1-3 hours)
- ▶ OKVO Smart Applications



Body Color RAL 9016 RAL 9006



Installation Details	Product Benefits	Areas Of Application
<p>SURFACE mounting on ceiling</p>	<ul style="list-style-type: none"> ▶ Ultra slim body and side-light design. ▶ Energy savings of up to 50 % compared to conventional luminaires ▶ High luminous efficiency, very homogeneous light ▶ No IR or UV radiation ▶ Long lifetime and low maintenance costs ▶ Easy and quick installation, ▶ Compatible with the latest lighting control technology. 	<ul style="list-style-type: none"> ▶ Offices, Corridors, Meeting Rooms, ▶ Schools, Hotels and Hospitals, ▶ Retails and Shopping Centers, ▶ Conference and Ballrooms, ▶ Enterances and Livingrooms, ▶ Modular Constructions

Dimensions	Mounting Hole Sizes	Weight	Photometric Diagrams
<p>LxWxH: 595x595x50 mm</p>	<p>L1 x W1 = 535 x 375 mm</p>	<p>5.0 kg</p>	

Product Series	Product Model	Product Code	Color Temperature			Lumen	CRI	PFC(λ)	Power	Voltage	Lifetime	Dimensions	Warranty
GRANDE SURFACE MOUNTED	BRONZE	USP.NBL.0606.GRN.SFC.BNZ				3550 lm	Ra > 80	>0.92					2 Years
	TITANIUM	USP.NBL.0606.GRN.SFC.TNM				3650 lm	Ra > 85	>0.92					3 Years
	SILVER	USP.NBL.0606.GRN.SFC.SLV	2900 K	4200K	6500 K	3650 lm	Ra > 80	>0.92	38 W	220-240 V @50-60 Hz	50.000 h	595x595x50 mm	2 Years
	GOLD	USP.NBL.0606.GRN.SFC.GLD				3750 lm	Ra > 85	>0.92					3 Years
	PLATINIUM	USP.NBL.0606.GRN.SFC.PLT				3850 lm	Ra > 85	>0.95					3 Years



INFANTE

ULTRA SLIM LED PANEL

INFANTE ULTRA SLIM LED PANEL LAY-ON MOUNTED

Products Features

Mounting Type

LAY-ON Mounted on Suspended Ceiling

Body

Electrostatic powder coated Aluminum

Diffuser

Opal diffuser with prismatic surface, providing homogeneous light

LED

≥50,000 h lifetime, high efficiency and high color quality index.

Color Temperature

Cool White, Natural White, Warm White

Driver

Constant current LED driver with high efficiency,

Operating Temperature

-25 ° C / + 50 ° C operating ambient temperature range

Dimension Alternatives

600x600 mm, 300x300 mm, 300x600 mm, 300x1200 mm , 600x1200 mm

Optional & Additional Features

- ▶ DALI Driver Compatible
- ▶ Dimmable with DIMM Moduls
- ▶ Emergency Lighting Kit (1-3 hours)
- ▶ OKVO Smart Applications



Installation Details	Product Benefits	Areas Of Application
<p>LAY-ON mounting on suspended ceiling</p>	<ul style="list-style-type: none"> ▶ Ultra Slim and lightweight aluminum body, side-light design. ▶ Energy savings of up to 50 % compared to conventional luminaires ▶ High luminous efficiency, very homogeneous light ▶ No IR or UV radiation ▶ Long lifetime and low maintenance costs ▶ Easy and quick installation, ▶ Compatible with the latest lighting control technology. 	<ul style="list-style-type: none"> ▶ Offices, Corridors, Meeting Rooms, ▶ Schools, Hotels and Hospitals, ▶ Retails and Shopping Centers, ▶ Conference and Ballrooms, ▶ Enterances and Livingrooms, ▶ Modular Constructions

Dimensions	Mounting Hole Sizes	Weight	Photometric Diagrams
<p>LxWxH: 595x595x7.4 mm</p>	<p>L1 x W1 = 576 x 576 mm</p>	<p>3.5 kg</p>	

Product Series	Product Model	Product Code	Color Temperature			Lumen	CRI	PFC(λ)	Power	Voltage	Lifetime	Dimensions	Warranty
INFANTE LAY-ON MOUNTED	BRONZE	ASP.NBL.0606.INF.LYN.BNZ				3500 lm	Ra > 80	>0.92					2 Years
	TITANIUM	ASP.NBL.0606.INF.LYN.TNM				3600 lm	Ra > 85	>0.92					3 Years
	SILVER	ASP.NBL.0606.INF.LYN.SLV	2900 K	4200K	6500 K	3600 lm	Ra > 80	>0.92	38 W	220-240 V @50-60 Hz	50.000 h	595x595x7,4mm	2 Years
	GOLD	ASP.NBL.0606.INF.LYN.GLD				3700 lm	Ra > 85	>0.92					3 Years
	PLATINIUM	ASP.NBL.0606.INF.LYN.PLT				3800 lm	Ra > 85	>0.95					3 Years

INFANTE ULTRA SLIM LED PANEL CLIP-IN MOUNTED

Products Features

Mounting Type

CLIP-IN Mounted on Suspended Ceiling

Body

Electrostatic powder coated Aluminum

Diffuser

Opal diffuser with prismatic surface, providing homogeneous light

LED

≥50,000 h lifetime, high efficiency and high color quality index.

Color Temperature

Cool White, Natural White, Warm White

Driver

Constant current LED driver with high efficiency,

Operating Temperature

-25 ° C / + 50 ° C operating ambient temperature range

Dimension Alternatives

600x600 mm, 300x300 mm, 300x600 mm, 300x1200 mm, 600x1200 mm

Optional & Additional Features

- ▶ DALI Driver Compatible
- ▶ Dimmable with DIMM Moduls
- ▶ Emergency Lighting Kit (1 -3 hours)
- ▶ OKVO Smart Applications



Body Color RAL 9016 RAL 9006



Installation Details	Product Benefits	Areas Of Application
<p>CLIP-IN mounting on suspended ceiling</p>	<ul style="list-style-type: none"> ▶ Ultra Slim and lightweight aluminum body, side-light design. ▶ Energy savings of up to 50 % compared to conventional luminaires ▶ High luminous efficiency, very homogeneous light ▶ No IR or UV radiation ▶ Long lifetime and low maintenance costs ▶ Easy and quick installation, ▶ Compatible with the latest lighting control technology. 	<ul style="list-style-type: none"> ▶ Offices, Corridors, Meeting Rooms, ▶ Schools, Hotels and Hospitals, ▶ Retails and Shopping Centers, ▶ Conference and Ballrooms, ▶ Entrances and Livingrooms, ▶ Modular Constructions

Dimensions	Mounting Hole Sizes	Weight	Photometric Diagrams
<p>LxWxH: 600x600x25mm</p>	<p>L1 x W1 = 600 x 600 mm</p>	<p>3.7 kg</p>	

Product Series	Product Model	Product Code	Color Temperature			Lumen	CRI	PFC(λ)	Power	Voltage	Lifetime	Dimensions	Warranty
INFANTE CLIP-IN MOUNTED	BRONZE	ASP.NBL.0606.INF.CLIP.BNZ				3500 lm	Ra > 80	>0.92					2 Years
	TITANIUM	ASP.NBL.0606.INF.CLIP.TNM				3600 lm	Ra > 85	>0.92					3 Years
	SILVER	ASP.NBL.0606.INF.CLIP.SLV	2900 K	4200K	6500 K	3600 lm	Ra > 80	>0.92	38 W	220-240 V @50-60 Hz	50.000 h	600x600x25mm	2 Years
	GOLD	ASP.NBL.0606.INF.CLIP.GLD				3700 lm	Ra > 85	>0.92					3 Years
	PLATINIUM	ASP.NBL.0606.INF.CLIP.PLT				3800 lm	Ra > 85	>0.95					3 Years

For more information on other models, www.okvolight.com

INFANTE ULTRA SLIM LED PANEL FLUSH MOUNTED

Products Features

Mounting Type

FLUSH Mounted on Suspended Ceiling

Body

Electrostatic powder coated Aluminum

Diffuser

Opal diffuser with prismatic surface, providing homogeneous light

LED

≥50,000 h lifetime, high efficiency and high color quality index.

Color Temperature

Cool White, Natural White, Warm White

Driver

Constant current LED driver with high efficiency,

Operating Temperature

-25 ° C / + 50 ° C operating ambient temperature range

Dimension Alternatives

600x600 mm, 300x300 mm, 300x600 mm, 300x1200 mm , 600x1200 mm

Optional & Additional Features

- ▶ DALI Driver Compatible
- ▶ Dimmable with DIMM Moduls
- ▶ Emergency Lighting Kit (1-3 hours)
- ▶ OKVO Smart Applications



Installation Details	Product Benefits	Areas Of Application
<p>FLUSH mounting on suspended ceiling</p>	<ul style="list-style-type: none"> ▶ Ultra Slim and lightweight aluminum body, side-light design. ▶ Energy savings of up to 50 % compared to conventional luminaires ▶ High luminous efficiency, very homogeneous light ▶ No IR or UV radiation ▶ Long lifetime and low maintenance costs ▶ Easy and quick installation, ▶ Compatible with the latest lighting control technology. 	<ul style="list-style-type: none"> ▶ Offices, Corridors, Meeting Rooms, ▶ Schools, Hotels and Hospitals, ▶ Retails and Shopping Centers, ▶ Conference and Ballrooms, ▶ Enterances and Livingrooms, ▶ Modular Constructions

Dimensions	Mounting Hole Sizes	Weight	Photometric Diagrams
<p>LxWxH: 595x595x7.4 mm</p>	<p>L1 x W1 = 565 x 565 mm</p>	<p>3,6 kg</p>	

Product Series	Product Model	Product Code	Color Temperature	Lumen	CRI	PFC(λ)	Power	Voltage	Lifetime	Dimensions	Warranty
INFANTE FLUSH MOUNTED	BRONZE	ASP.NBL.0606.INF.FLH.BNZ		3500 lm	Ra > 80	>0.92					2 Years
	TITANIUM	ASP.NBL.0606.INF.FLH.TNM		3600 lm	Ra > 85	>0.92					3 Years
	SILVER	ASP.NBL.0606.INF.FLH.SLV	2900 K 4200K 6500 K	3600 lm	Ra > 80	>0.92	38 W	220-240 V @50-60 Hz	50.000 h	595x595x 7,4mm	2 Years
	GOLD	ASP.NBL.0606.INF.FLH.GLD		3700 lm	Ra > 85	>0.92					3 Years
	PLATINIUM	ASP.NBL.0606.INF.FLH.PLT		3800 lm	Ra > 85	>0.95					3 Years

INFANTE ULTRA SLIM LED PANEL SURFACE MOUNTED

Products Features

Mounting Type

SURFACE Mounted on Ceiling

Body

Electrostatic powder coated Aluminum

Diffuser

Opal diffuser with prismatic surface, providing homogeneous light

LED

≥50,000 h lifetime, high efficiency and high color quality index.

Color Temperature

Cool White, Natural White, Warm White

Driver

Constant current LED driver with high efficiency,

Operating Temperature

-25 ° C / + 50 ° C operating ambient temperature range

Dimension Alternatives

600x600 mm, 300x300 mm, 300x600 mm, 300x1200 mm, 600x1200 mm

Optional & Additional Features

- ▶ DALI Driver Compatible
- ▶ Dimmable with DIMM Moduls
- ▶ Emergency Lighting Kit (1-3 hours)
- ▶ OKVO Smart Applications



Body Color RAL 9016 RAL 9006



Installation Details	Product Benefits	Areas Of Application
<p>SURFACE mounting on ceiling</p>	<ul style="list-style-type: none"> ▶ Ultra Slim and lightweight aluminum body, side-light design. ▶ Energy savings of up to 50 % compared to conventional luminaires ▶ High luminous efficiency, very homogeneous light ▶ No IR or UV radiation ▶ Long lifetime and low maintenance costs ▶ Easy and quick installation, ▶ Compatible with the latest lighting control technology. 	<ul style="list-style-type: none"> ▶ Offices, Corridors, Meeting Rooms, ▶ Schools, Hotels and Hospitals, ▶ Retails and Shopping Centers, ▶ Conference and Ballrooms, ▶ Entrances and Livingrooms, ▶ Modular Constructions

Dimensions	Mounting Hole Sizes	Weight	Photometric Diagrams
<p>LxWxH: 595x595x50 mm</p>	<p>L1 x W1 = 535 x 375 mm</p>	<p>4.3 kg</p>	

Product Series	Product Model	Product Code	Color Temperature			Lumen	CRI	PFC(λ)	Power	Voltage	Lifetime	Dimensions	Warranty
INFANTE SURFACE MOUNTED	BRONZE	ASP.NBL.0606.INF.SFC.BNZ				3500 lm	Ra> 80	>0.92					2 Years
	TITANIUM	ASP.NBL.0606.INF.SFC.TNM				3600 lm	Ra> 85	>0.92					3 Years
	SILVER	ASP.NBL.0606.INF.SFC.SLV	2900 K	4200K	6500 K	3600 lm	Ra> 80	>0.92	38 W	220-240 V @50-60 Hz	50.000 h	595x595x50 mm	2 Years
	GOLD	ASP.NBL.0606.INF.SFC.GLD				3700 lm	Ra> 85	>0.92					3 Years
	PLATINIUM	ASP.NBL.0606.INF.SFC.PLT				3800 lm	Ra> 85	>0.95					3 Years

For more information on other models, www.okvolight.com

okvolight®

Mimarsinan Organize Sanayi Bölgesi
Kastim Cad. No:22/B Kayseri / TURKEY
T : +90 352 228 00 28
F : +90 352 228 00 29
www.okvolight.com

© 2018, Okvolight. All rights reserved.

We reserve the right to change specifications, product descriptions, product quality, pricing and application at any time without prior written or oral notice.

okvolight®

Technology Inside



INTEGRITY SERIES

➤ **CLEAN ROOM**
PANEL LUMINAIRES

CLEAN ROOM LED PANEL

Products Features

Mounting Type

LAY-ON, Flush and Surface Mounted

Body

Ingress Protected Housing, electrostatic powder coated DKP sheet.

Diffuser

Opal diffuser with prismatic surface, providing homogeneous light

Glass

Tempered clear glass.

LED

≥50,000 h lifetime, high efficiency and high color quality index.

Color Temperature

Cool White, Natural White, Warm White and 3in1 CCT options

Driver

Constant current LED driver with high efficiency,

Operating Temperature

-25 ° C / + 50 ° C operating ambient temperature range

Dimension Alternatives

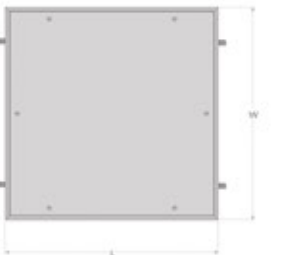
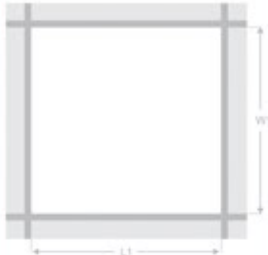

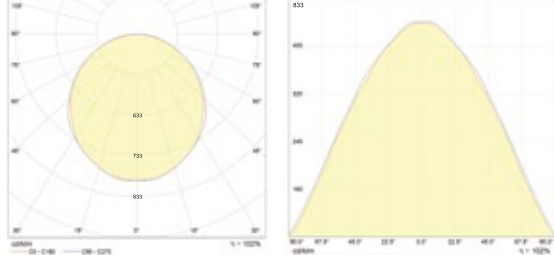
600x600 mm, 300x300 mm, 300x600 mm, 300x1200 mm , 600x1200 mm

Optional & Additional Features

- ▶ DALI Driver Compatible
- ▶ Dimmable with DIMM Moduls
- ▶ Emergency Lighting Kit (1-3 hours)
- ▶ OKVO Smart Applications



Multi-CCT Technology	Product Benefits	Areas Of Application
 <p>Three CCT options in the one product by user controlled</p>	<ul style="list-style-type: none"> ▶ Excellent functional cleanroom performance, ▶ High protection against dust and water. (IP65), ▶ Energy savings of up to 50 % compared to conventional luminaires, ▶ Easy and quick installation, ▶ Long lifetime and low maintenance costs, ▶ High luminous efficiency, very homogeneous light, ▶ Excellent quality of light with high color rendering, ▶ No IR or UV radiation, ▶ Compatible with the latest lighting control technology 	<ul style="list-style-type: none"> ▶ Sterilized indoor areas ▶ Hospitals and Healthcare premises ▶ Laboratories and Cleanrooms ▶ Food industry and Kitchens ▶ Premises with hygiene requirements

Dimensions	Mounting Hole Sizes	Weight	Photometric Diagrams
 <p>LxWxH: 595x595x110 mm</p>	 <p>L1 x W1 = 576 x 576 mm</p>	 <p>8.5kg</p>	

Product Series	Product Model	Product Code	Color Temperature	Lumen	CRI	PFC(λ)	Power	Voltage	Lifetime	Dimensions	Warranty
INTEGRY SERIES	BRONZE	AXP.INT.0606.BSC.***BNZ	3000 K 4500 K 6500 K	4400 lm	Ra > 80	>0.92	48 W	220-240 V @50-60 Hz	50.000 h	595x595x110 mm	2 Years
	TITANIUM	AXP.INT.0606.BSC.***TNM	3000 K 4500 K 6500 K	4500 lm	Ra > 85	>0.92					
	SILVER	AXP.INT.0606.BSC.***SLV		4600 lm	Ra > 80	>0.92	48 W	220-240 V @50-60 Hz	50.000 h	595x595x110 mm	3 Years
	GOLD	AXP.INT.0606.BSC.***GLD		4800 lm	Ra > 85	>0.92					
	PLATINIUM	AXP.INT.0606.BSC.***PLT		4800 lm	Ra > 85	>0.95					

*** Mounting Alternatives: LAY-ON, FLUSH, SURFACE MOUNTED

The technical datas given in this brochure are only for Lay-On mounted products.

For more information on other models, www.okvilight.com



Operating Rooms



Patient Rooms

okvolight®

Mimarsinan Organize Sanayi Bölgesi
Kastim Cad. No:22/B Kayseri / TURKEY
T : +90 352 228 00 28
F : +90 352 228 00 29

© 2018, Okvolight. All rights reserved.

We reserve the right to change specifications, product descriptions, product quality, pricing and application at any time without prior written or oral notice.